

AC Adaptor  
WV-PS03

# Operating Instructions



**Panasonic.**

Before attempting to connect or operate this product, please read these instructions completely.



**CAUTION**  
RISK OF ELECTRIC SHOCK  
DO NOT OPEN



**CAUTION: TO REDUCE THE RISK OF ELECTRIC SHOCK, DO NOT REMOVE COVER (OR BACK). NO USER-SERVICEABLE PARTS INSIDE. REFER SERVICING TO QUALIFIED SERVICE PERSONNEL.**



SA 1965

The lightning flash with arrowhead symbol, within an equilateral triangle, is intended to alert the user to the presence of uninsulated "dangerous voltage" within the product's enclosure that may be of sufficient magnitude to constitute a risk of electric shock to persons.



SA 1966

The exclamation point within an equilateral triangle is intended to alert the user to the presence of important operating and maintenance (servicing) instructions in the literature accompanying the appliance.

### **Warning :**

This equipment has been tested and found to comply with the limits for a Class B computing device in accordance with the specifications set forth in Subpart J of Part 15 of the FCC Rules.

If this equipment does cause interference to radio or television reception which can be determined by turning the equipment on and off, use the equipment in another location and/or utilize an electrical outlet different from that used by the receiver.

**WARNING: TO PREVENT FIRE OR SHOCK HAZARD, DO NOT EXPOSE THIS APPLIANCE TO RAIN OR MOISTURE.**

## CONTENTS

PREFACE .....	1
FEATURES .....	1
PRECAUTIONS .....	1
MAJOR OPERATING COMPONENTS AND THEIR FUNCTIONS .....	2
INSTALLATION .....	4
CONNECTION .....	5
SPECIFICATIONS .....	7

The serial number of this product may be found on the bottom of the unit.

You should note the serial number of this unit in the space provided and retain this book as a permanent record of your purchase to aid identification in the event of theft.

Model No. WV-PS03

Serial No. \_\_\_\_\_

## PREFACE

A AC Adaptor WV-PS03 is used to supply the DC power to the color camera WV-3260/8AF or WV-D5000, or to the pan/tilt head WV-PH10 as a power source. It is also used with the gen-lock adaptor WV-AD36 in the EFP application for supplying the DC power and distributing the gen-lock signal sent from the special effects generator.

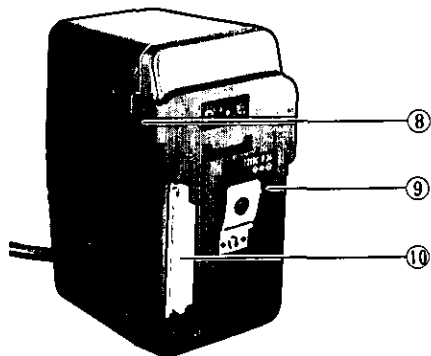
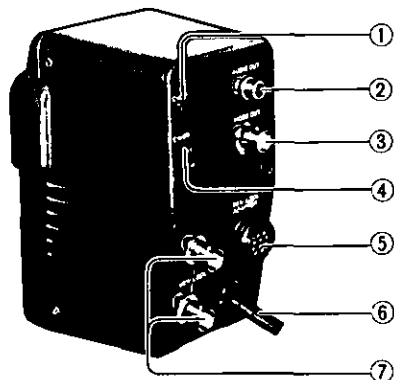
## FEATURES

- o Supplies the +12V DC power to the unit as:
  1. Color camera WV-3260/8AF or WV-D5000
  2. Color camera WV-3260/8AF or WV-D5000 with the gen-lock adaptor WV-AD36 in the EFP application.
  3. Pan/tilt head WV-PH10
- o Can be simply mounted on the camera.
- o Distributes the gen-lock signal in the EFP application
- o Video output signal is provided for connecting to the VTR or the special effects generator.
- o - 10dB audio output signal is provided for the VTR connection.

## PRECAUTIONS

- o Do not attempt to disassemble the unit.  
There are no user-serviceable parts inside.  
Do refer any servicing to qualified service personnel.
- o Use the unit under the conditions when temperature is within 32°F - 104°F (0°C - +40°C) and humidity is less than 90%.
- o Do not use the unit with the studio camera (camera with 5" electronic viewfinder) due to power capacity of the unit.

## MAJOR OPERATING COMPONENTS AND THEIR FUNCTIONS



1. **Power Indicator (POWER)**
2. **Audio Output Connector (AUDIO OUT)**  
– 10dB audio signal is provided at this connector.
3. **Video Output Connector (VIDEO OUT)**  
A composite video signal is provided at this connector.
4. **Power ON/OFF Switch (POWER ON/OFF)**
5. **10-Pin Connector for Gen-Lock Adaptor (GEN-LOCK ADAPTOR)**  
This connector is used for connecting the 10-pin cable from the gen-lock adaptor WV-AD36 for the EFP application. The video signal and the audio signal are sent from the gen-lock adaptor and the +12V DC and the gen-lock signal are sent from the AC adaptor to the gen-lock adaptor through this connector.
6. **Power Cord**

## 7. Gen-Lock Connector (GEN-LOCK)

The gen-lock signal (composite or black burst signal) supplied to this connector is sent through the 10-pin connector (5) to the gen-lock adaptor WV-AD36 and through the another BNC connector to the other gen-lock adaptor.

When the gen-lock signal is connected to either connector, the signal is automatically terminated with 75 ohms. If two BNC cables are connected for looping through the gen-lock signal, the signal is not terminated.

## 8. Release Button

When removing the AC adaptor from the camera, press this button.

## 9. Power Connector

This connector is used to supply the DC power to the pan/tilt head WV-PH10. The power cable comes with the pan/tilt head.

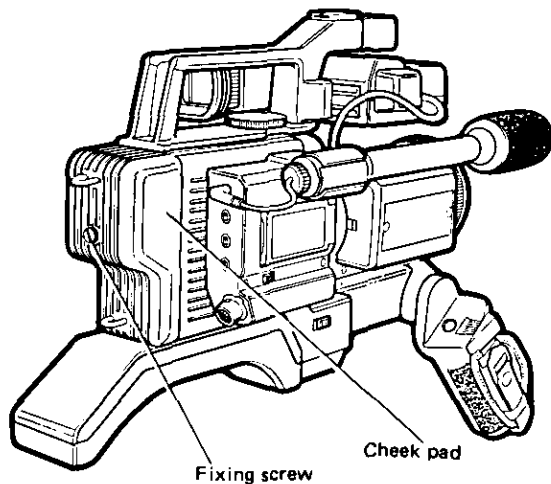
## 10. 32-Pin Connector

When mounting the AC adaptor onto the camera, engage the 32-pin connector on the camera and the AC adaptor.

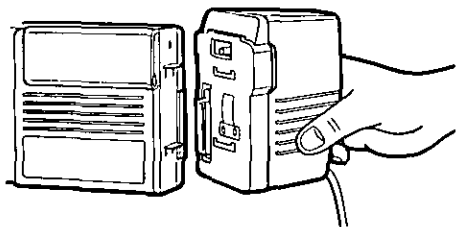
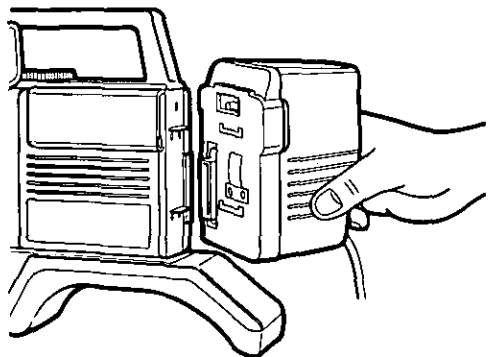
# INSTALLATION

## 1. Installation on the camera

- o Loosen the cheek pad fixing screw. Remove the cheek pad from the color camera by lifting it.

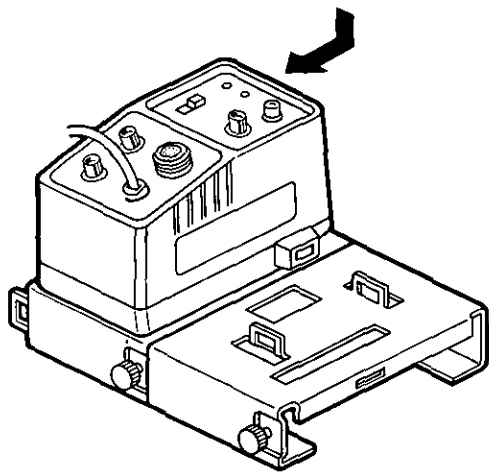


- o Install the AC adaptor on the camera while engaging the 32-pin connector and then press it down.



## 2. Installation on the mounting base

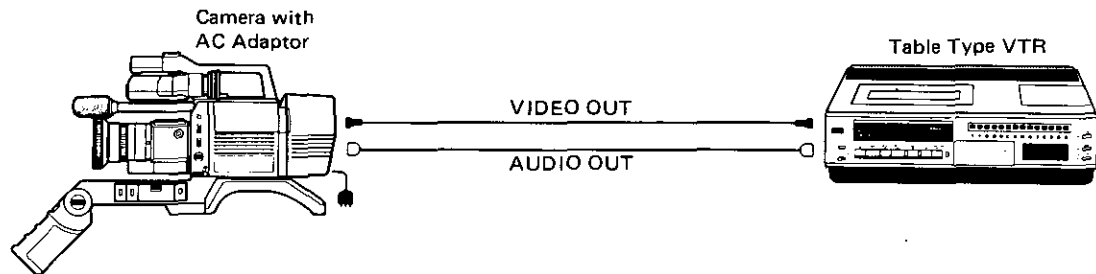
- o The AC adaptor should be installed on the mounting base when it is used with the pan/tilt head or is used in the EFP application.



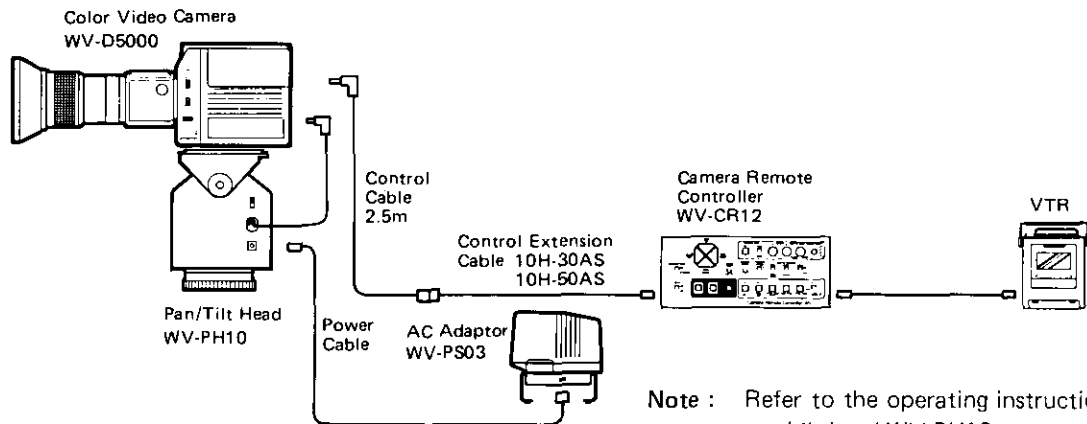
**Note :** When multi AC adaptors are used, the mounting bases can be attached as shown above.

## CONNECTION

### 1. Connection with a camera and VTR/Video monitor



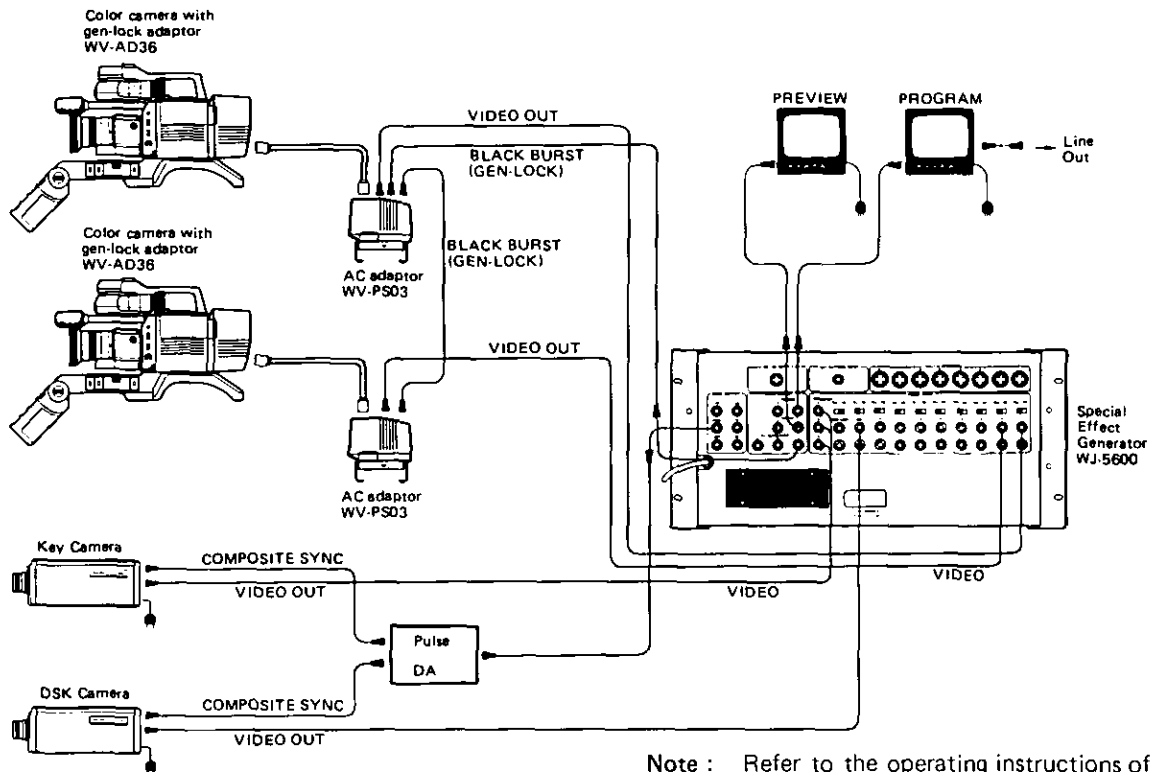
### 2. Connection with a pan/tilt head WV-PH10



Note : Refer to the operating instructions of the pan/tilt head WV-PH10.



### 3. EFP Application



Note : Refer to the operating instructions of the gen-lock adaptor WV-AD36.

## SPECIFICATIONS

Power Source :	120V AC, 60Hz
Power Supply :	+12V DC, 0.8A, supplied through 32-pin connector, 10-pin connector or 1-pin connector
Power Consumption :	<u>15 watts</u>
Video Output :	1.0Vp-p NTSC composite/75 ohms x 1 (BNC connector), supplied from the camera/gen-lock adaptor WV-AD36
Audio Output :	-10dB/8.2 ohms (1-pin connector), supplied from the camera/gen-lock adaptor WV-AD36
Gen-Lock Input :	Composite signal or black burst signal/75 ohms or looping through (BNC connectors)
Gen-Lock Output :	Composite signal or black burst signal, supplied to the gen-lock input connector (10-pin connector)
Ambient Operating Temperature :	32°F - 104°F (0°C - +40°C)
Ambient Operating Humidity :	Less than 90%
Dimensions :	3-1/4" (W) x 5-1/8" (H) x 3-5/16" (D) 83(W) x 130.5(H) x 84.5(D) mm
Weight :	1.43 lbs (0.65kg)

Weight and dimensions shown are approximate.  
Specifications are subject to change without notice.



**PANASONIC INDUSTRIAL COMPANY, Division of Matsushita Electric Corporation of America**

Executive Office: One Panasonic Way, Secaucus, New Jersey 07094 (201) 348-7000

Audio-Video Systems Division Executive Office: One Panasonic Way, Secaucus, New Jersey 07094 (201) 348-7000

Northeast Regional Office: Panasonic Audio-Video Systems, 333 Meadowlands Parkway, Secaucus, New Jersey 07094 (201) 348-7620

Northwest Regional Office: Panasonic Audio-Video Systems, 4060 Lind Avenue, Renton, Washington 98055 (206) 251-5209

Midwest Regional Office: Panasonic Audio-Video Systems, 425 East Algonquin Road, Arlington Heights, Illinois 60005 (312) 981-4826

Southeast Regional Office: Panasonic Audio-Video Systems, 1854 Shackelford Ct. Suite 115 Norcross, Georgia 30093 (404) 925-6835

Southwest Regional Office: Panasonic Audio-Video Systems, 1825 Walnut Hill Lane Irving, Texas 75062 (214) 258-2828

Western Regional Office: Panasonic Audio-Video Systems, 6550 Katella Avenue, Cypress, California 90630 (714) 895-7200

**PANASONIC HAWAII INC.**

91-238 Kauhū Street Ewa Beach P.O. Box 774 Honolulu, Hawaii 96808-0774 (808) 682-2851

**MATSUSHITA ELECTRIC OF CANADA LIMITED**

5770 Ambler Drive, Mississauga, Ontario, Canada L4W 2T3 (416) 624-5010

**PANASONIC SALES COMPANY**

Ave 65 de Infanteria, Km. 9.7, Victoria Industrial Park, Carolina, Puerto Rico 00630 (809) 769-4320