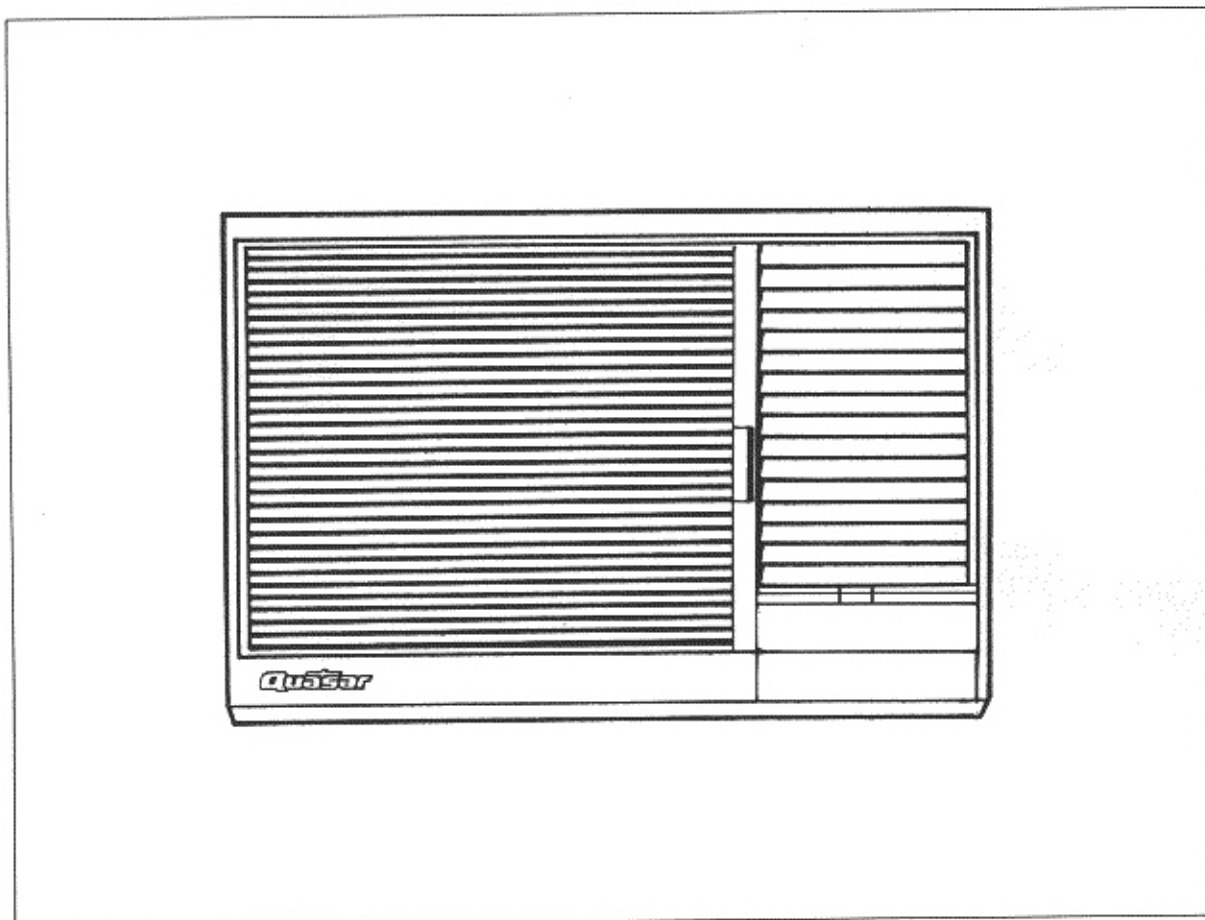


# Operating Instructions

## ROOM AIR CONDITIONERS

MODELS HQ2181GH, HQ2201GH



**Quasar®**

Before operating this unit, please read these instructions completely.

# IMPORTANT SAFEGUARDS

The followings are important instructions to be observed to prevent malfunctions or serious problems with your air conditioner.

1. Install the air conditioner by following the installation instructions enclosed with the product.
2. Do not modify any parts of this product.
3. Do not operate the unit without an air filter.
4. Do not put sticks, rods, etc., into any parts of the unit.
5. Do not obstruct the air intake of the evaporator with a curtain or window blind, as it may result in insufficient cooling and heating power.
6. Operate your air conditioner from a stable AC power supply.
7. Use a 15 amp rated grounded outlet.
8. Use of Extension Cords.  
Extension cords of any kind should not be used. If there is no alternative, the cord should be a UL listed 3-wire grounding type, rated 250 volts with a minimum current carrying rating of 15 amps-number 14 or heavier wire.
9. Do not install the unit close to any place where inflammable gas, fumes or soot may be generated.
10. Do not unplug the unit while it is operating.

**PLEASE KEEP THIS BOOKLET FOR FUTURE REFERENCE**

# CUSTOMER'S RECORD

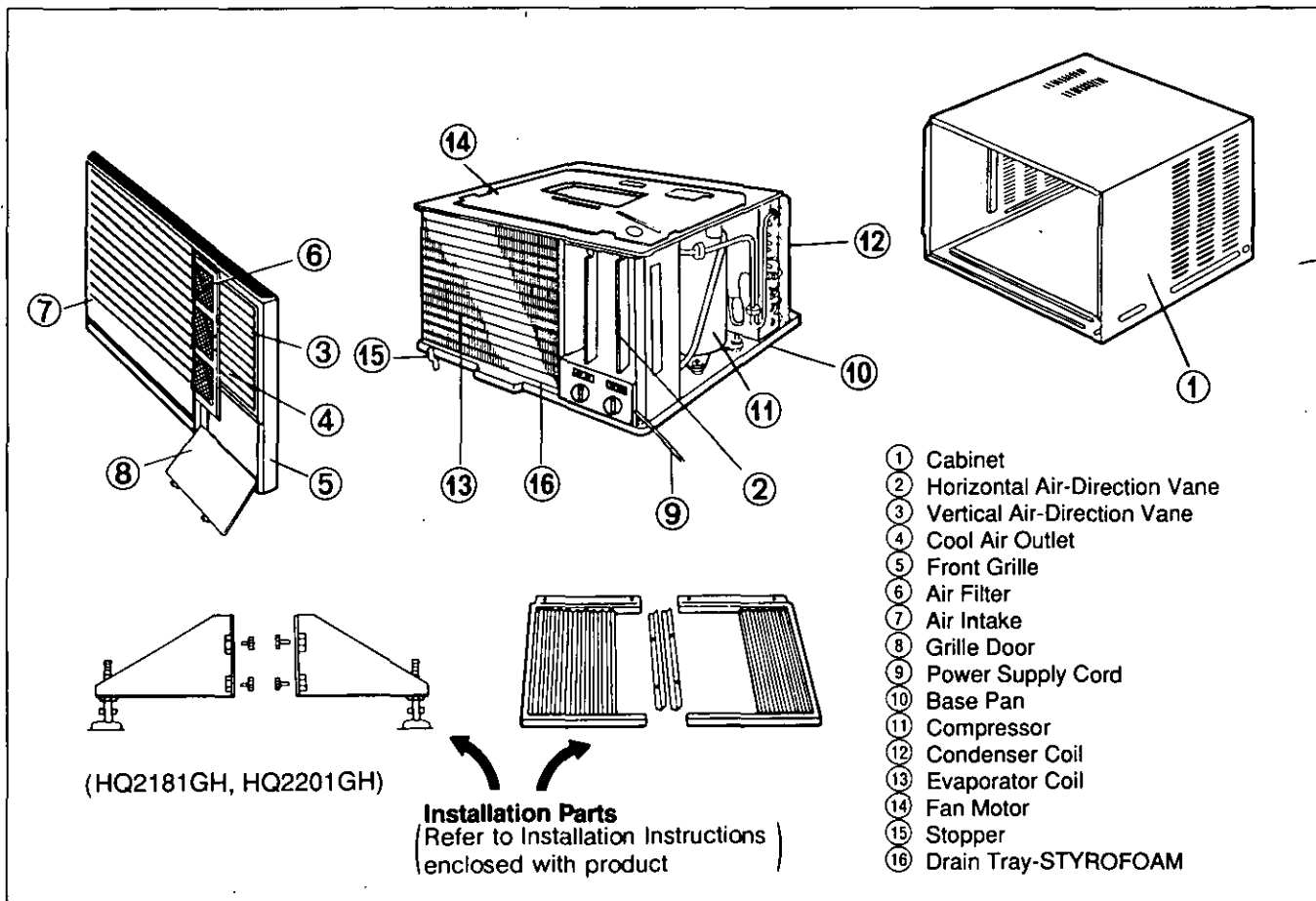
You should note both the model and serial numbers of this product in the spaces provided. Retain this book along with a copy of your purchase receipt for future reference.

Model Number \_\_\_\_\_  
Serial Number \_\_\_\_\_  
Dealer's Name \_\_\_\_\_  
Date Purchased \_\_\_\_\_

# TABLE OF CONTENTS

	Page
Product Component Identification .....	2
Front Grille Installation .....	2
How to Operate (HQ2181GH, HQ2201GH) .....	3
Care and Maintenance .....	4
Air Direction Control .....	4
How To Attach Drain Pan .....	5
Before Calling for Service .....	5
Product Specifications .....	6

# PRODUCT COMPONENT IDENTIFICATION



## HOW TO ATTACH GRILLE

Depending upon the location of the AC outlet, route AC cord to either left or right side while installing the front grille.

The grille is attached to the front of the cabinet by four tabs and a screw.

**STEP 1** Open the grille door, and then remove air-filter from the grille by sliding it to right.

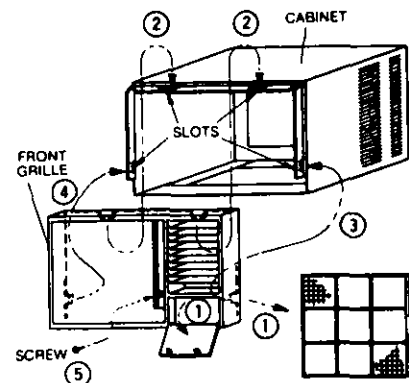
**STEP 2** Engage two tabs on the grille's top inside edge with two slots in the cabinet front edge.

**STEP 3** Press inward on the lower right side of the metal cabinet at the location of the slot and then carefully push the grille in until the tab engages with the slot.

Do not strike or forcibly hit the plastic grille otherwise damage to the tabs will occur.

**STEP 4** Repeat this process for the lower left side.

**STEP 5** Mount the grille on front of the cabinet with the screw attached to grille during shipping, and slide the filter back into place.



## HOW TO REMOVE GRILLE

**STEP 1** Open the grille door, and then remove air-filter from the grille by sliding it to right.

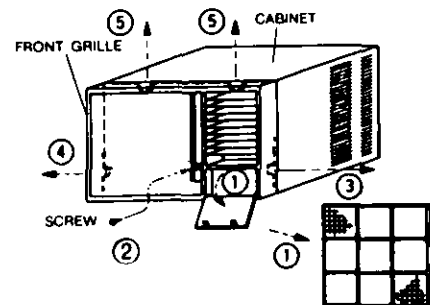
**STEP 2** Remove and save the screw that holds the grille to the chassis.

**STEP 3** Press inward on the lower right side of the cabinet until the tab is clear of the slot and allow the grille to come toward you slightly.

**STEP 4** Repeat this process for the lower left side.

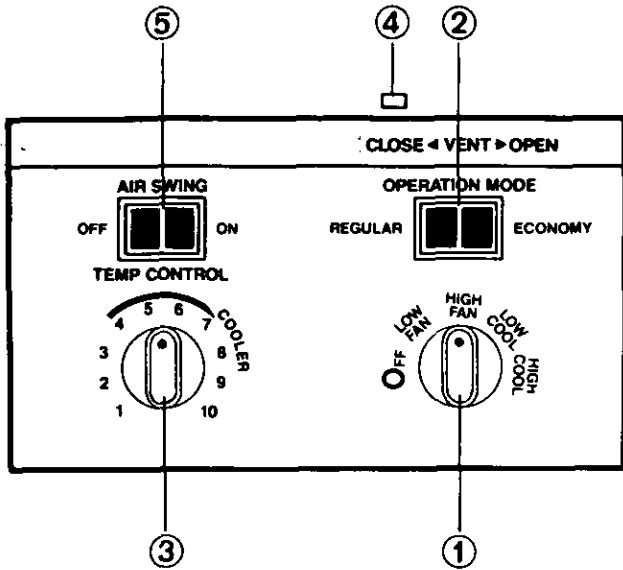
Do not pull the bottom edge toward you more than 3 inches as damage to the top 2 tabs of the grille may occur.

**STEP 5** Grasp the grille's lower right and left corner and carefully lift straight upward to disengage the 2 top tabs from their slots in the cabinet front edge.



# HOW TO OPERATE

HQ2181GH  
HQ2201GH



## ① MAIN CONTROL SWITCH

OFF..... Stops all fan and cooling operation.

\*LOW FAN ..... Recirculates filtered room air at low speed.

\*HIGH FAN ..... Recirculates filtered room air at high speed.

LOW COOL..... Turns on the compressor and the fan at low speed for quiet cooling.

HIGH COOL..... Turns on the compressor and the fan at high speed for maximum fan speed cooling.

\*for Fan only operation, Operation Mode Switch must be in REGULAR position.

## ② OPERATION MODE

REGULAR ..... The thermostat automatically controls cooling, but the fan runs continuously whenever the air conditioner is in operation.

ECONOMY..... The thermostat automatically controls cooling, but when the room temperature reaches the thermostat preset point, both the fan and compressor turn off. When the thermostat requires the cooling operation to start again, both the fan and compressor turn back on together.

### \*NOTE

If only the fan operation is desired, set the operation mode switch to "REGULAR".

The fan will not run with the switch setting combination at "FAN" of main control switch and "ECONOMY" of operation mode switch.

## ③ TEMP CONTROL

Turn the temp. control knob to the desired setting. (Accordance with your temperature preference).

If the condition of the room:

1. Average (Normal) ..... Set the knob at 6 ~ 7 position.
2. Too warm ..... turn the knob clockwise.
3. Too cold ..... turn the knob anticlockwise.

## ④ VENTILATION (Discharge Grille)

"CLOSE" position ..... Will maintain best cooling effect when air ventilation is not desired.

"OPEN" position ..... The damper (small door) inside the air conditioner opened and room air is exhausted to the outside. Helpful for removing stale air, smoke or odors from the room.

## ⑤ AIR SWING

ON ..... Air swing is in operation.

OFF..... Stop the operation of air swing.

### \*CAUTION

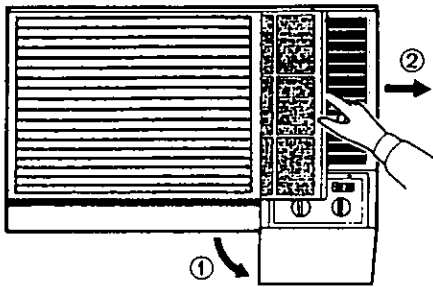
If the main control switch is turned off or to the fan selection during any cooling operation setting, "WAIT" at least 3 minutes before resetting to any cooling operation.

# CARE AND MAINTENANCE

## 1. CLEANING AIR FILTER

To assure continued peak efficiency of your air conditioner, the air filter should be cleaned at least once every two weeks (more often if local conditions warrant). Remove air filter, and then use a vacuum cleaner to clean the filter on its dusty side or wash softly with running water, applying the water flow from the cleaner side of the filter to wash out the accumulated dust and lint.

Mild detergent may be used to clean the air filter if it is very dirty. When the air filter is washed in water, it must be shake dried well before reusing. You may also carefully press dry the filter between 2 bath towels.



## AIR FILTER REMOVAL

1. Open grille door.
2. Grasp edge of filter and slide to right.

## 2. CLEANING THE CABINET AND THE FRONT GRILLE

To clean the front grille and the cabinet, wipe with a clean soft cloth.

To remove stubborn stain, use a soft cloth or sponge dampened with a mild non-abrasive detergent.

**NEVER USE ANY HARSH CLEANERS** as they may damage or scratch the product.

## 3. TO CLEAR A BLOCKAGE IN DRAIN TRAY

After prolonged operation (usually 1 – 2 years) in certain urban locals, your unit may develop a blockage consisting of scale, dirt and/or slime in the bottom styrofoam drain tray. This condition, if left unchecked, may eventually cause condensate water to leak on the indoor side of the air conditioner.

### To correct this condition:

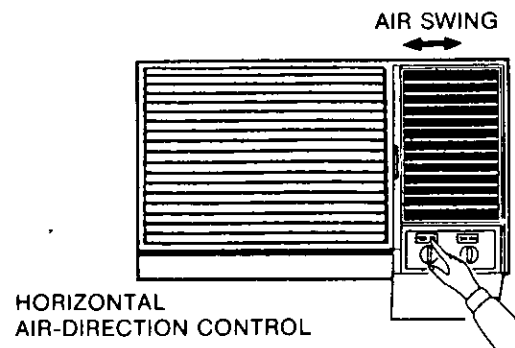
- a. Unplug the unit from electrical outlet.
- b. Remove the chassis from its outer cabinet (See installation instructions part 2).
- c. Chassis should be taken to an area where water spillage will not cause damage to surrounding area. (Preferably outdoors)

- d. There is a vertical bulkhead which separates the indoor side and outdoor sides of your air conditioner. At the base of this bulkhead on the outdoor side is a small opening for the condensate water to exit. Insert a piece of stiff wire into this opening several inches and move it about. Leave it there for now.
- e. In a pail, mix a cup of standard household bleach with 1 gallon of tepid water. Carefully (and slowly) pour 1/3 of this solution into the base styrofoam tray at the bottom of the evaporator coil at the front of the unit. Immediately check the exit opening for this tray where you left the section of wire. If there is no flow, rework the wire until you see and obtain a steady flow.
- f. Slowly pour the remaining water and bleach solution into the tray and remove the section of wire used for clearing the obstruction.
- g. Tilt the chassis to drain away the water from the rear of the base pan.

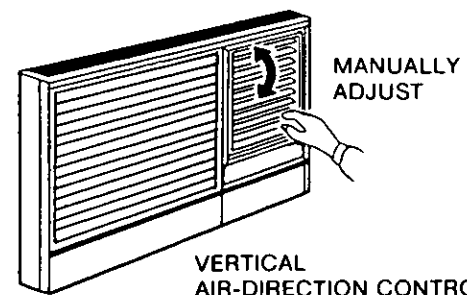
# AIR DIRECTION CONTROL

The air direction can be controlled and distributed wherever cold air is desired.

1. For horizontal air-direction control, switch on the air-swing switch and the air flow will be swept horizontally by the automatic air-swing system. If you want to stop the air flow from moving, just switch off the air-swing switch at the desired position of the air-swing vane.
2. For vertical air direction control, rotate the vertical control upward or downward.



HORIZONTAL AIR-DIRECTION CONTROL



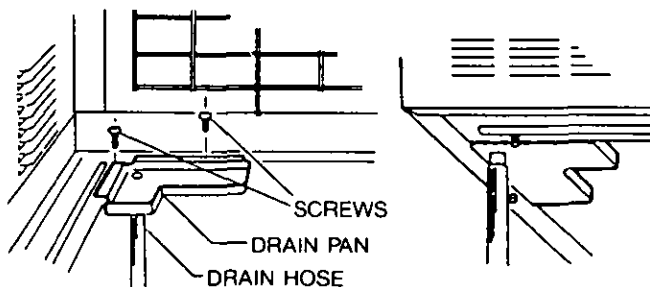
VERTICAL AIR-DIRECTION CONTROL

## HOW TO ATTACH DRAIN PAN

The air conditioner employs a system whereby the condensate water (moisture removed from the air) is channelled to the condenser, or rear of the unit. The condenser fan blade has a "slinger ring" attached to its outside circumference. This ring dips down into the water and "slings" it onto the finned inner surface of the condenser coil. This may be the sound of water you hear during normal operation. The water quickly evaporates on this warm surface and is dissipated into the outside air.

Very rarely will any water drip off the unit chassis. In very humid weather however, conditions may prevail whereby excess water is removed from your room air. This excess water, along with a low speed fan setting may cause some water to drip off the unit. If you install the unit over a walkway or other location where drippage may cause a problem, you may want to install the drain pan corner piece as illustrated in the below sketch. Note that by pulling the rubber plug from the chassis bottom, no water will come in contact with the slinger ring.

1. Remove the rubber plug from the body base plate.
2. Install the drain pan prepared in the accessory kit to the right corner of the cabinet with 2 screws.
3. Connect the drain hose to the outlet at the bottom of drain pan.  
Drain hose or tubing can be purchased locally to satisfy your particular needs.



BOTTOM-SIDE VIEW WITH DRAIN PAN AND HOSE IN PLACE

## BEFORE CALLING FOR SERVICE

Listed below are most of the common causes for customer complaints concerning room air conditioners. By checking each of these items carefully, you may avoid an unnecessary service call.

### WHEN THE AIR CONDITIONER DOES NOT OPERATE:

1. Is the air conditioner plugged into the receptacle properly?
2. Is the air conditioner connected to a "live" receptacle supplying the proper voltage?
3. Is the fuse blown or is the circuit breaker off?
4. Is there a local power failure? Check by switching on a light.
5. Has the air conditioner been accidentally switched off? If so, please refer to operation instruction of the relevant model.

### AIR CONDITIONER OPERATES, BUT DOES NOT COOL PROPERLY

1. Is the main control set properly?
2. Is the thermostat control set properly to provide the desired temperature?
3. Are there more than the usual number of people in the room?
4. Is the air circulation impeded by drapes, furniture, etc., or by an improper louver setting?
5. Are the doors or windows open, or is there an unusual source of heat in the room?
6. Is the ventilation control closed for maximum cooling?
7. Is the air filter clean so that it will not obstruct the air flow?
8. Have all the steps outlined in the Installation Instructions been followed?
9. Is the evaporator frosted? Frosting of the evaporator may occur during the spring and autumn months if there is a considerable temperature drop overnight, or during cool weather, or if the air conditioner is operated at the lower end of the thermostat setting for example under 65°F. If so, turn the main switch to "FAN". The fast air circulation will quickly defrost the coil so that normal cooling operation may be resumed.

### OTHERS

1. **Water Dripping Inside**  
Is the air conditioner installed level or tilted slightly to the outside for proper water disposal?  
(See CARE AND MAINTENANCE item 3.)
2. **Water Dripping Outside**  
Is it an exceptionally hot or cold and humid day?  
In this case it should be considered normal.

If the trouble persists after you have checked all of these, call your authorized Quasar dealer or Servicenter.

Service information can be obtained 24 hours/day by calling 1-800-545-2672.

# PRODUCT SPECIFICATIONS

MODELS		HQ2181GH	HQ2201GH
COOLING CAPACITY Btu/h		18,000 / 17,700	20,300 / 20,000
ELECTRICAL RATING	Phase	Single	
	Cycle (Hz)	60	
	Voltage (V)	230 / 208	
	Current (Amps.)	9.1 / 9.9	11.0 / 12.0
	Input (Watts)	2,050 / 2,010	2,470 / 2,430
EER	(Btu/Watt•h)	8.8 / 8.8	8.2 / 8.2
MOISTURE REMOVAL	(Pints/h)	4.2	5.1
ROOM AIR CIRCULATION	(Cf/min.)	530	530
DIMENSIONS	Height (Inches)	16-7/8	
	Width (Inches)	26	
	Depth (Inches)	28-3/8	
NET WEIGHT	(lbs)	139	139
GROSS WEIGHT	(lbs)	172	172

\*Specifications are subject to change without notice.

***Quasar***®

**QUASAR COMPANY  
DIVISION OF MATSUSHITA ELECTRIC CORPORATION OF AMERICA  
1707 NORTH RANDALL ROAD ELGIN, ILLINOIS 60123-7847.**