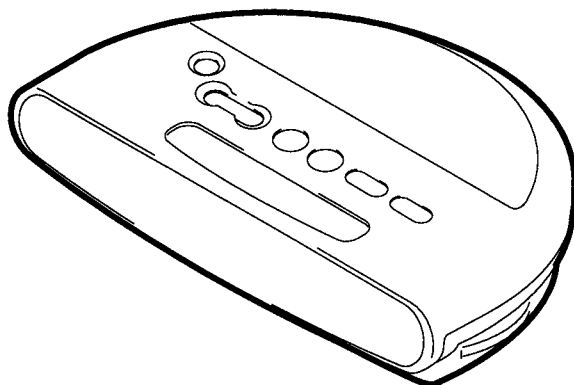


ICF-C390/C390L

SERVICE MANUAL



US Model
Canadian Model
E Model
Australian Model
ICF-C390
UK Model
ICF-C390L
AEP Model
ICF-C390/C390L

SPECIFICATIONS

Time display :

US, Canadian, UK, Australian model : 12-hour system
EXCEPT US, Canadian, UK, Australian model : 24-hour system

Frequency range :

FM : 87.5– 108 MHz
AM (MW) : 530 – 1,605 kHz (EXCEPT French, Italian model)
AM : 526.5 – 1,606.5 kHz (Italian model)
LW : 153 – 255 kHz (ICF-C390L)

Speaker : Approx. 6.6 cm (2 5/8 inches) dia. 8 Ohms

Power output :

100 mW (at 10% harmonic distortion)

Power requirements :

120V AC, 60Hz (US, Canadian, Central & South America model)
220 – 230V AC, 50Hz (EXCEPT US, Canadian, Central & South America, E4 model)
110 – 120V, 220 – 230V AC, 50/60Hz selectable (E4 model)
For power backup : 9V DC, one 6F22 battery

Battery life :

Approx. 35 hours using the S-006P (U) battery

Dimensions :

Approx. 220 x 47.5 x 153 mm (w/h/d)
(8 3/4 x 1 7/8 x 6 1/8 inches) incl. projecting parts and controls

Mass :

UK model : Approx. 610 g (1 lb 6 oz) not incl. battery
EXCEPT UK model : Approx. 540 g (1 lb 3 oz) not incl. battery

Design and specifications are subject to change without notice.

ICF-C390
FM/AM CLOCK RADIO

ICF-C390L : French model
FM/LW CLOCK RADIO

ICF-C390L : AEP, UK model
FM/MW/LW 3 BAND CLOCK RADIO



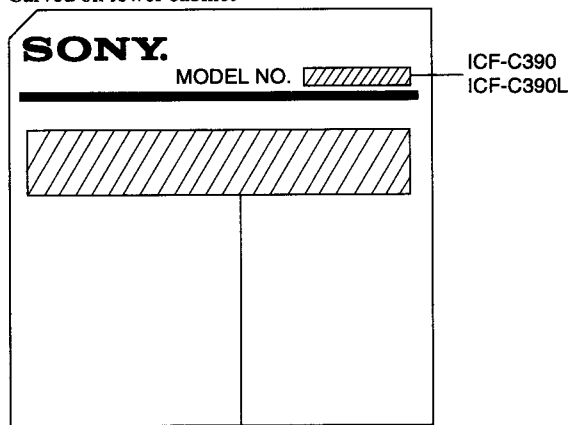
SONY®

TABLE OF CONTENTS

Specifications	1
1. GENERAL	
Location and Function of Controls	3
2. DISASSEMBLY	
2-1. Cabinet (Upper) Removal	4
2-2. Main Board Removal	4
Installation Power Cord	5
3. DIAL POINTER INSTALLATION	6
4. ELECTRICAL ADJUSTMENT	7
5. DIAGRAMS	
5-1. Printed Wiring Boards (ICF-C390/C390L : French model)	9
5-2. Schematic Diagram (ICF-C390/C390L : French model)	11
5-3. Printed Wiring Boards (ICF-C390L : AEP, UK model)	13
5-4. Schematic Diagram (ICF-C390L : AEP, UK model)	15
6. EXPLODED VIEW	17
7. ELECTRICAL PARTS LIST	19

MODEL IDENTIFICATION

– Model Number Portion –
Carved on lower cabinet



US, Canadian, Central & South America model	: AC : 120V~60Hz
AEP, UK, French, Italian, Spanish, Russian, E13 model	: AC : 220 – 230V~50Hz
E4 model	: AC : 110 – 120V/220 – 230V ~ 50/60Hz

SAFETY-RELATED COMPONENT WARNING!!

COMPONENTS IDENTIFIED BY MARK Δ OR DOTTED LINE WITH MARK Δ ON THE SCHEMATIC DIAGRAMS AND IN THE PARTS LIST ARE CRITICAL TO SAFE OPERATION. REPLACE THESE COMPONENTS WITH SONY PARTS WHOSE PART NUMBERS APPEAR AS SHOWN IN THIS MANUAL OR IN SUPPLEMENTS PUBLISHED BY SONY.

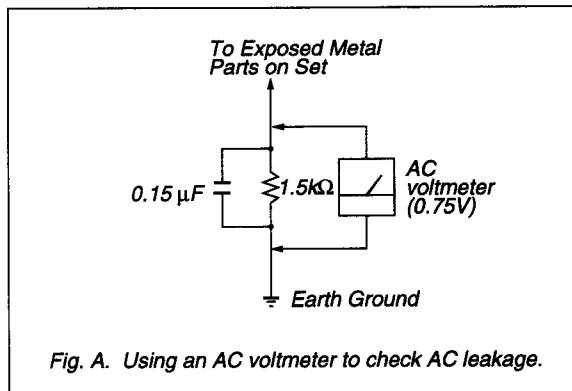
SAFETY CHECK-OUT

After correcting the original service problem, perform the following safety check before releasing the set to the customer : Check the antenna terminals, metal trim, “metallized” knobs, screws, and all other exposed metal parts for AC leakage. Check leakage as described below.

LEAKAGE TEST

The AC leakage from any exposed metal part to earth ground and from all exposed metal parts to any exposed metal part having a return to chassis, must not exceed 0.5mA (500 microampers). Leakage current can be measured by any one of three methods.

1. A commercial leakage tester, such as the Simpson 229 or RCA WT-540A. Follow the manufacturers' instructions to use these instruments.
2. A battery-operated AC milliammeter. The Data Precision 245 digital multimeter is suitable for this job.
3. Measuring the voltage drop across a resistor by means of a VOM or battery-operated AC voltmeter. The “limit” indication is 0.75V, so analog meters must have an accurate low-voltage scale. The Simpson 250 and Sanwa SH-63Trd are examples of a passive VOM that is suitable. Nearly all battery operated digital multimeters that have a 2V AC range are suitable. (See Fig. A)



• HOW TO CHANGE THE CERAMIC FILTER

This model is used two ceramic filters of CF2 and CF3. You must use same type of color marked ceramic filters in order to meet same specifications. Therefore, the ceramic filter must change two pieces together since it's supply two pieces in package as a spare parts.

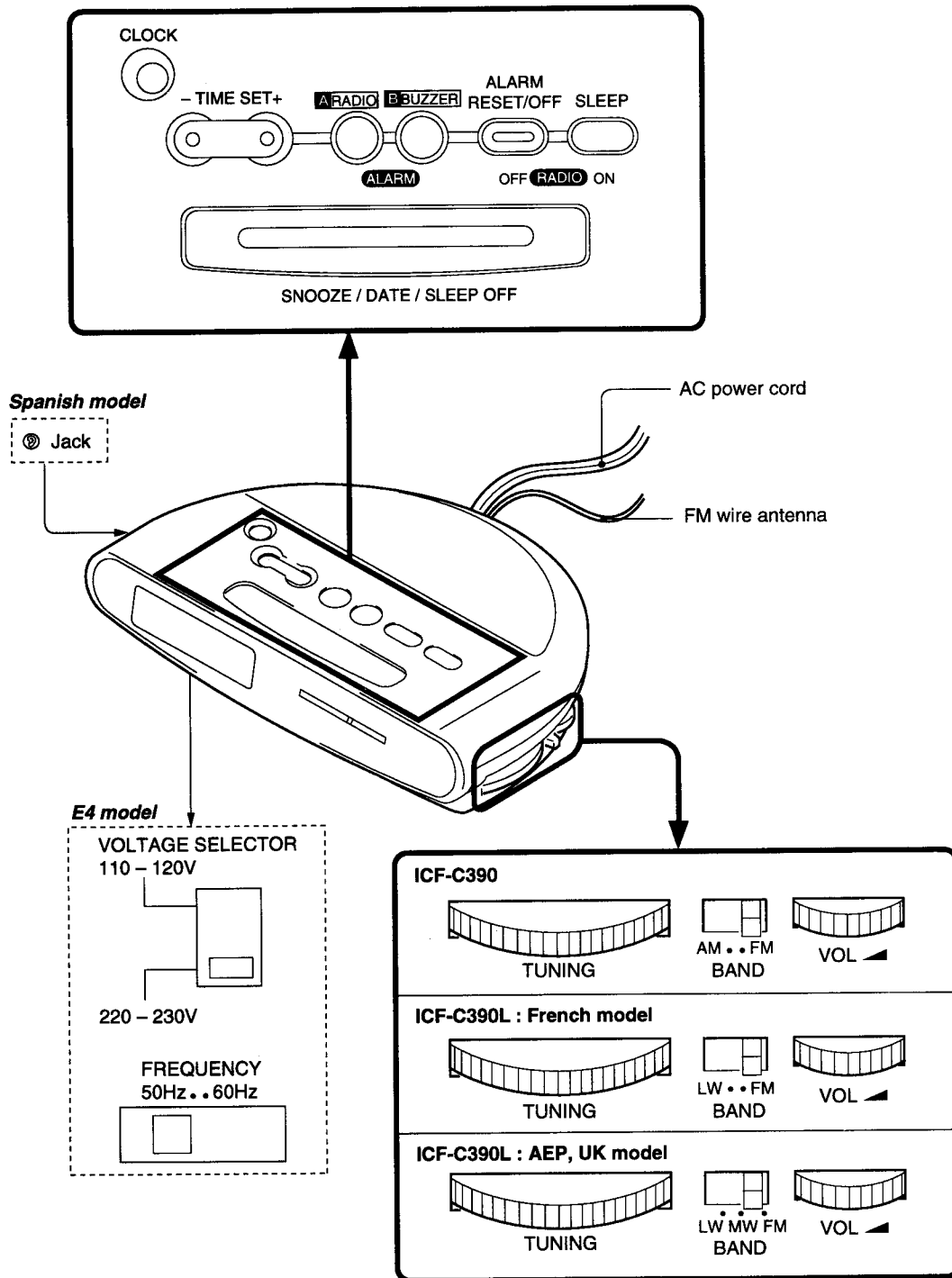
Mark	Center frequency
red	10.70MHz
blue	10.67MHz
orange	10.73MHz
black	10.64MHz
white	10.76MHz

ATTENTION AU COMPOSANT AYANT RAPPORT À LA SÉCURITÉ!

LES COMPOSANTS IDENTIFIÉS PAR UNE MARQUE Δ SUR LES DIAGRAMMES SCHÉMATIQUES ET LA LISTE DES PIÈCES SONT CRITIQUES POUR LA SÉCURITÉ DE FONCTIONNEMENT. NE REMPLACER CES COMPOSANTS QUE PAR DES PIÈCES SONY DONT LES NUMÉROS SONT DONNÉS DANS CE MANUEL OU DANS LES SUPPLÉMENTS PUBLIÉS PAR SONY.

SECTION 1 GENERAL

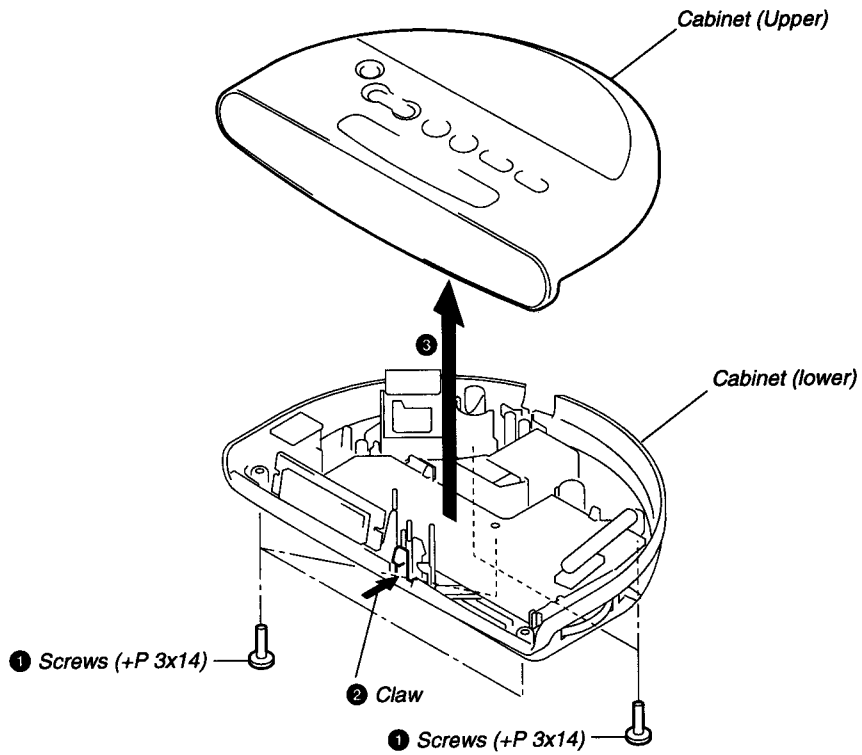
LOCATION AND FUNCTION OF CONTROLS



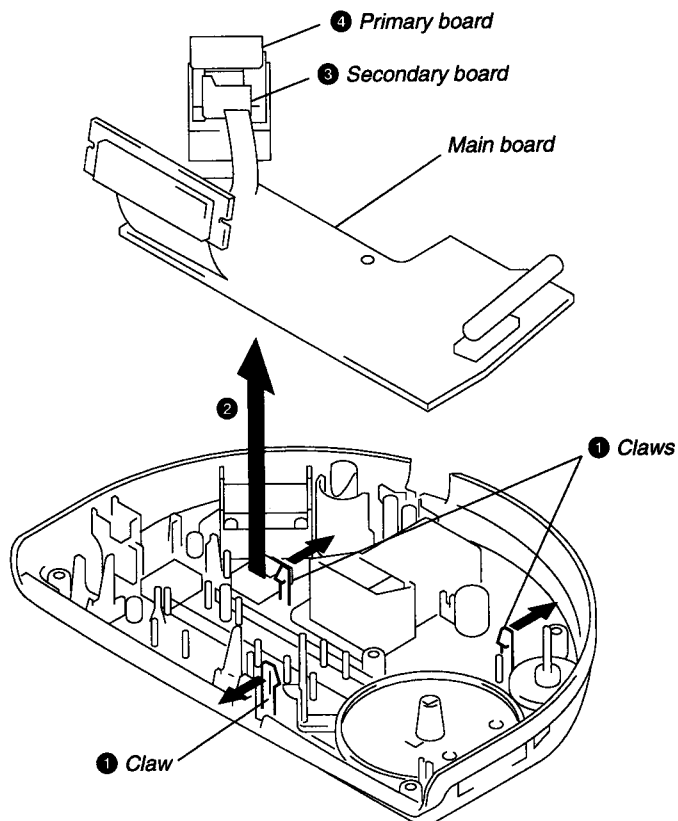
SECTION 2 DISASSEMBLY

Note : Follow the disassembly procedure in the numerical order given.

2-1. CABINET (UPPER) REMOVAL

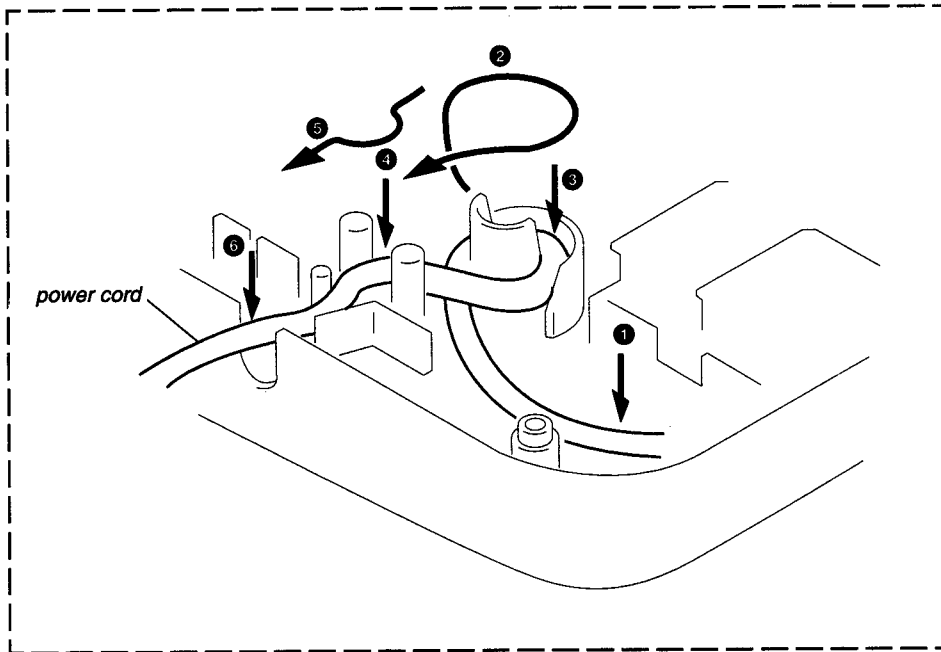


2-2. MAIN BOARD, SECONDARY BOARD, PRIMARY BOARD REMOVAL

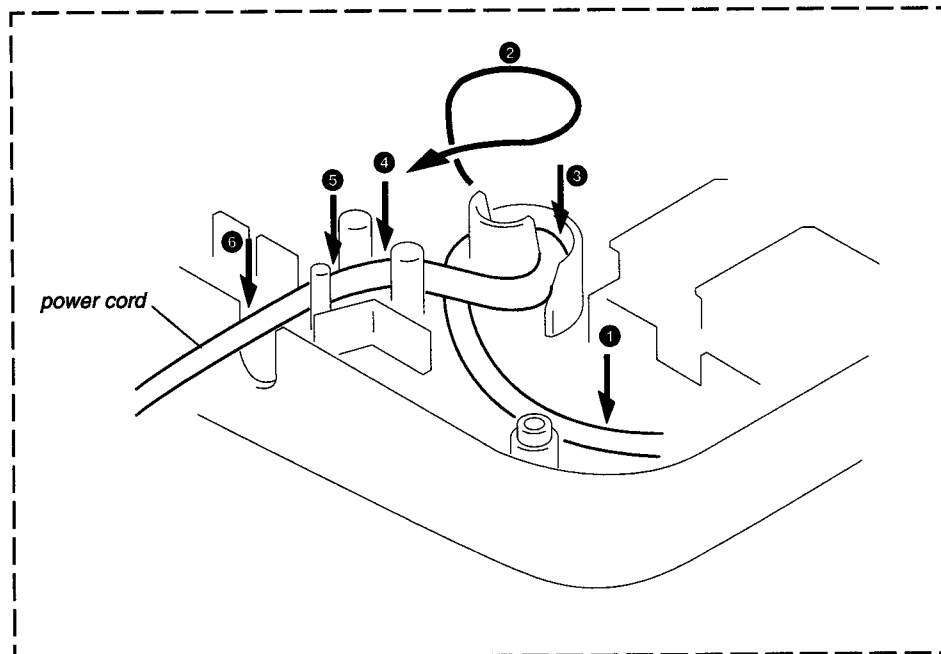


INSTALLATION POWER CORD

US model

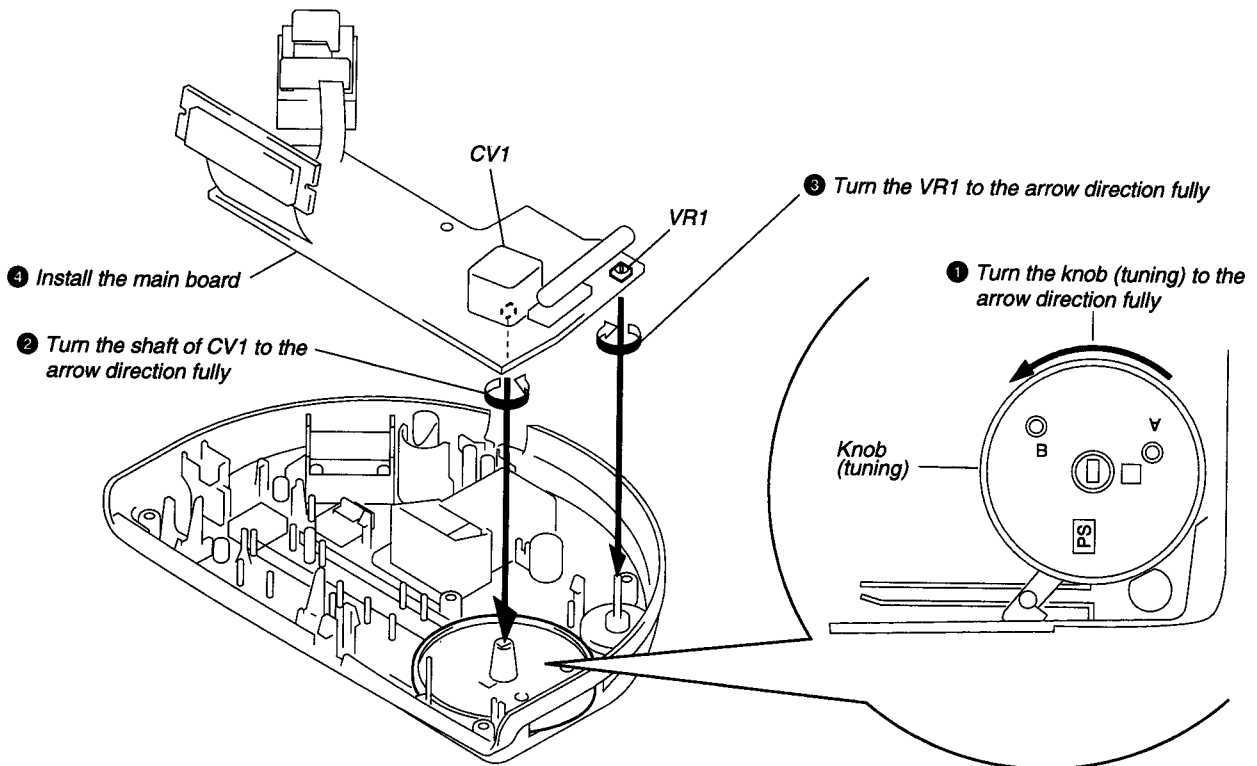
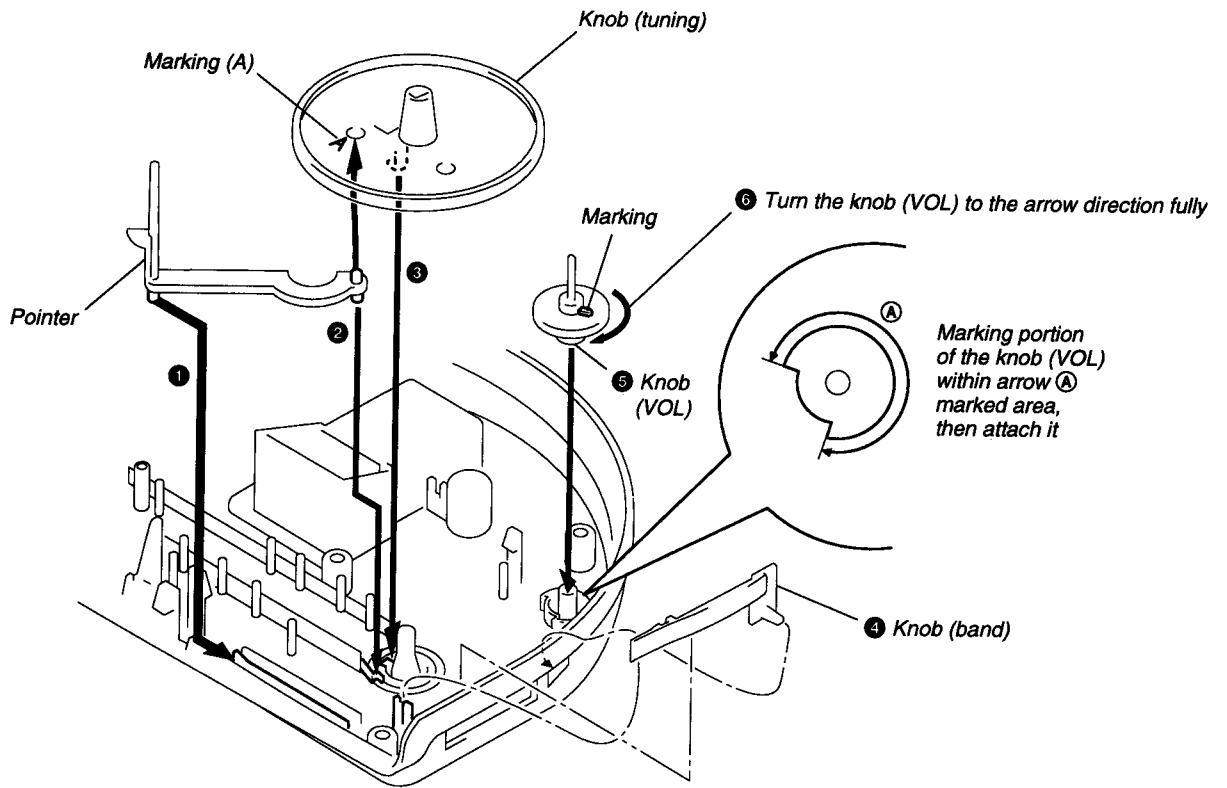


EXCEPT US model



SECTION 3 DIAL POINTER INSTALLATION

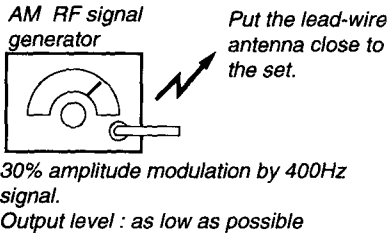
Note : Follow the installation procedure in the numerical order given.



SECTION 4 ELECTRICAL ADJUSTMENTS

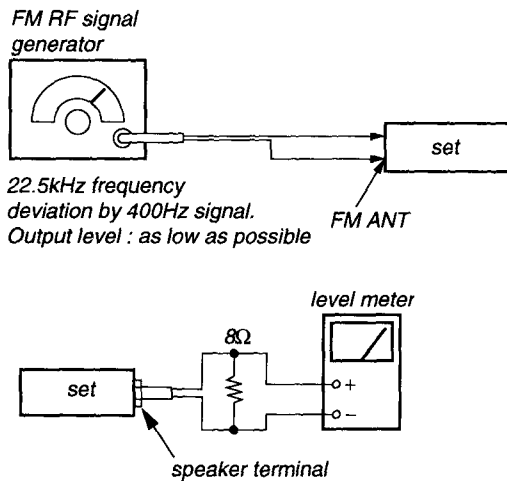
AM Section

Band switch : AM (ICF-C390)
 : LW (French model)
 : MW or LW (ICF-390L : AEP, UK model)
 Volume : MAX



FM Section

Band switch : FM
 Volume : MAX



- Repeat the procedures in each adjustment several times, and the frequency coverage and tracking adjustments should be finally done by the trimmer capacitors.

() : Italian model only

AM IF ADJUSTMENT	
Adjust for a maximum reading on level meter.	
T1	455kHz

EXCEPT French model

AM <MW> FREQUENCY COVERAGE ADJUSTMENT	
Adjust for a maximum reading on level meter.	
L4	520kHz (516.5kHz)
CT4	1,650kHz (1,631.5kHz)

AM <MW> TRACKING ADJUSTMENT	
Adjust for a maximum reading on level meter.	
L1 : ICF-390	600kHz
L1-1 : ICF-390L	
CT1	1,400kHz

ICF-C390L

EXCEPT French model

LW FREQUENCY COVERAGE ADJUSTMENT	
Adjust for a maximum reading on level meter.	
CT6	145kHz
confirmation	261kHz

French model

LW FREQUENCY COVERAGE ADJUSTMENT	
Adjust for a maximum reading on level meter.	
L4	145kHz
CT4	265kHz

LW TRACKING ADJUSTMENT	
Adjust for a maximum reading on level meter.	
L1 - 2 (AEP, UK model)	160kHz
L1 (French model)	
CT5	240kHz

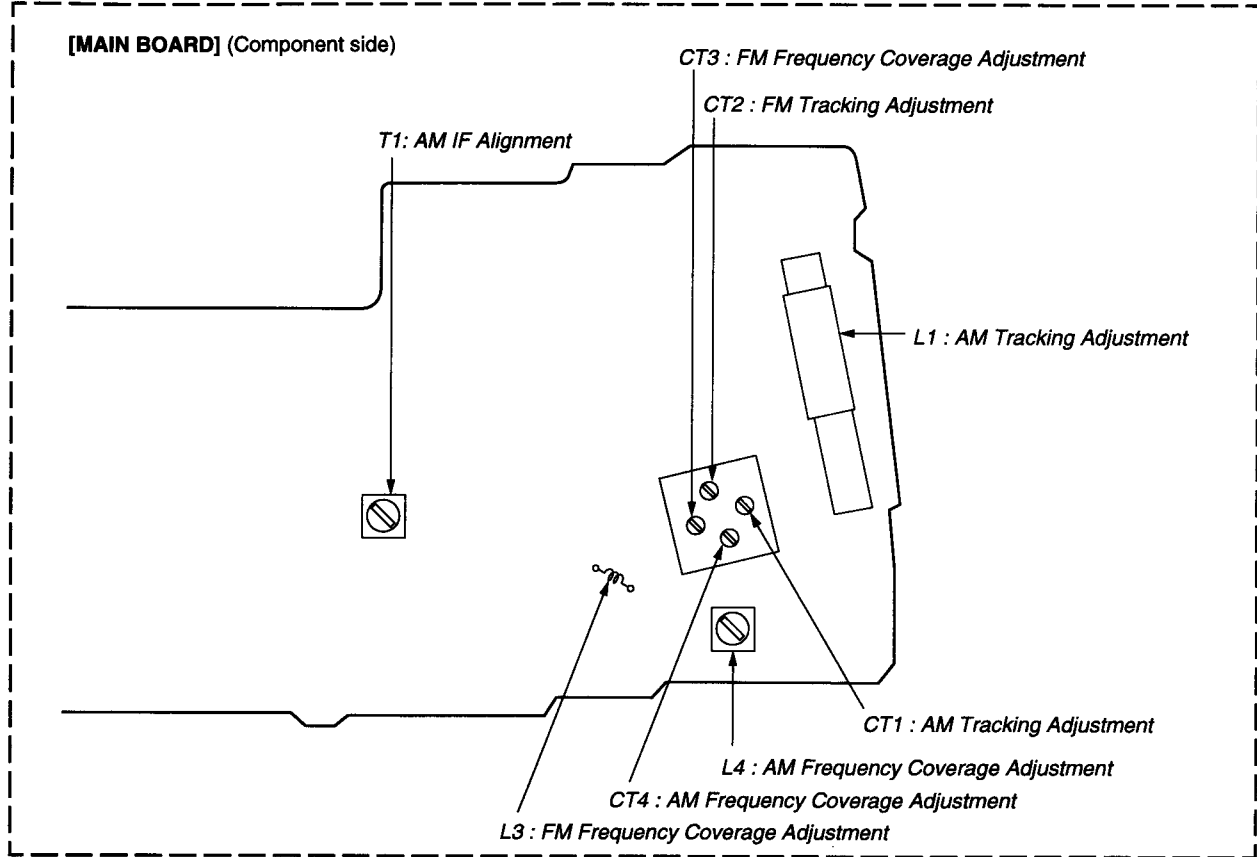
FM FREQUENCY COVERAGE ADJUSTMENT	
Adjust for a maximum reading on level meter.	
L3	86.5MHz (87.35MHz)
CT3	109.5MHz (108.25MHz)

FM TRACKING ADJUSTMENT	
Adjust for a maximum reading on level meter.	
CT2	109.5MHz (98MHz)

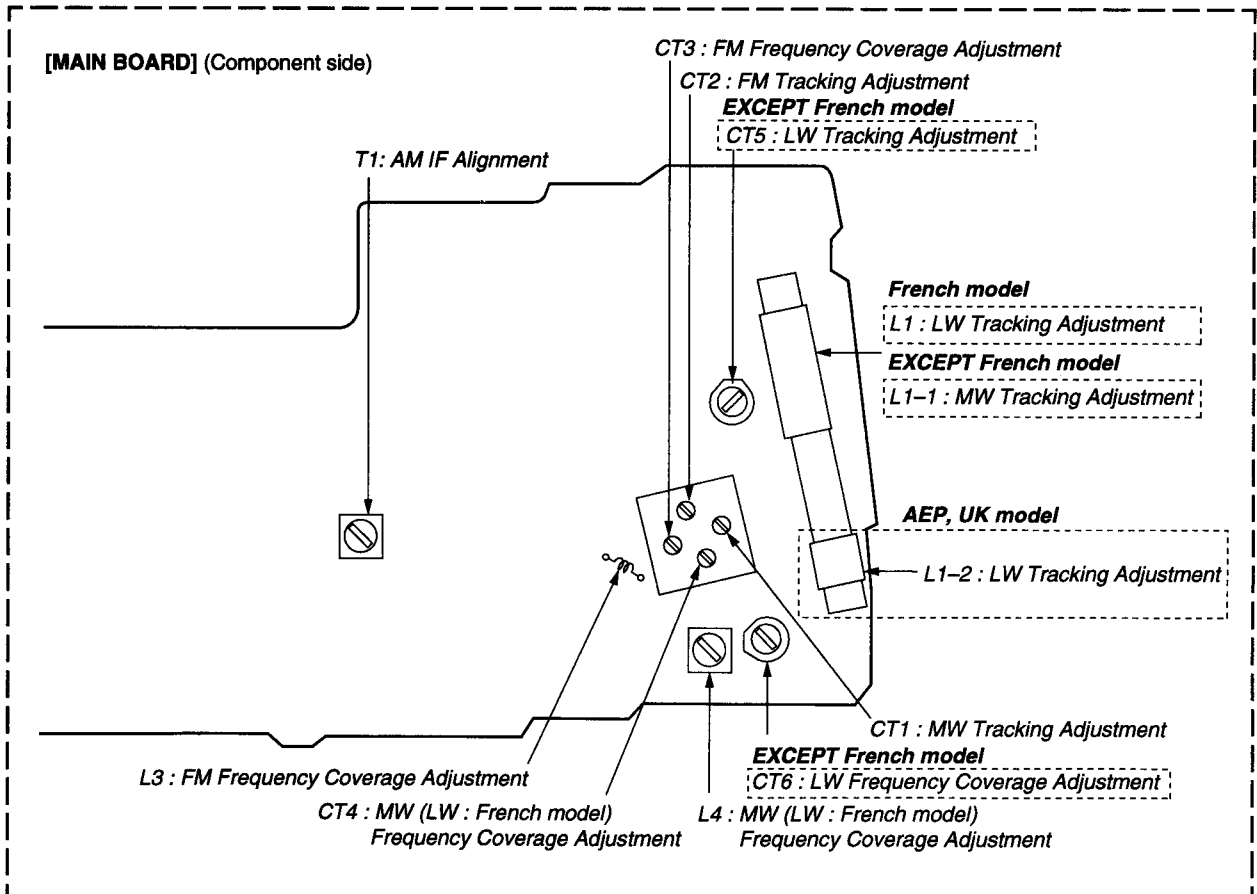
Adjustment Location : Main board (See page 8)

Adjustment Location :

ICF-C390



ICF-C390L

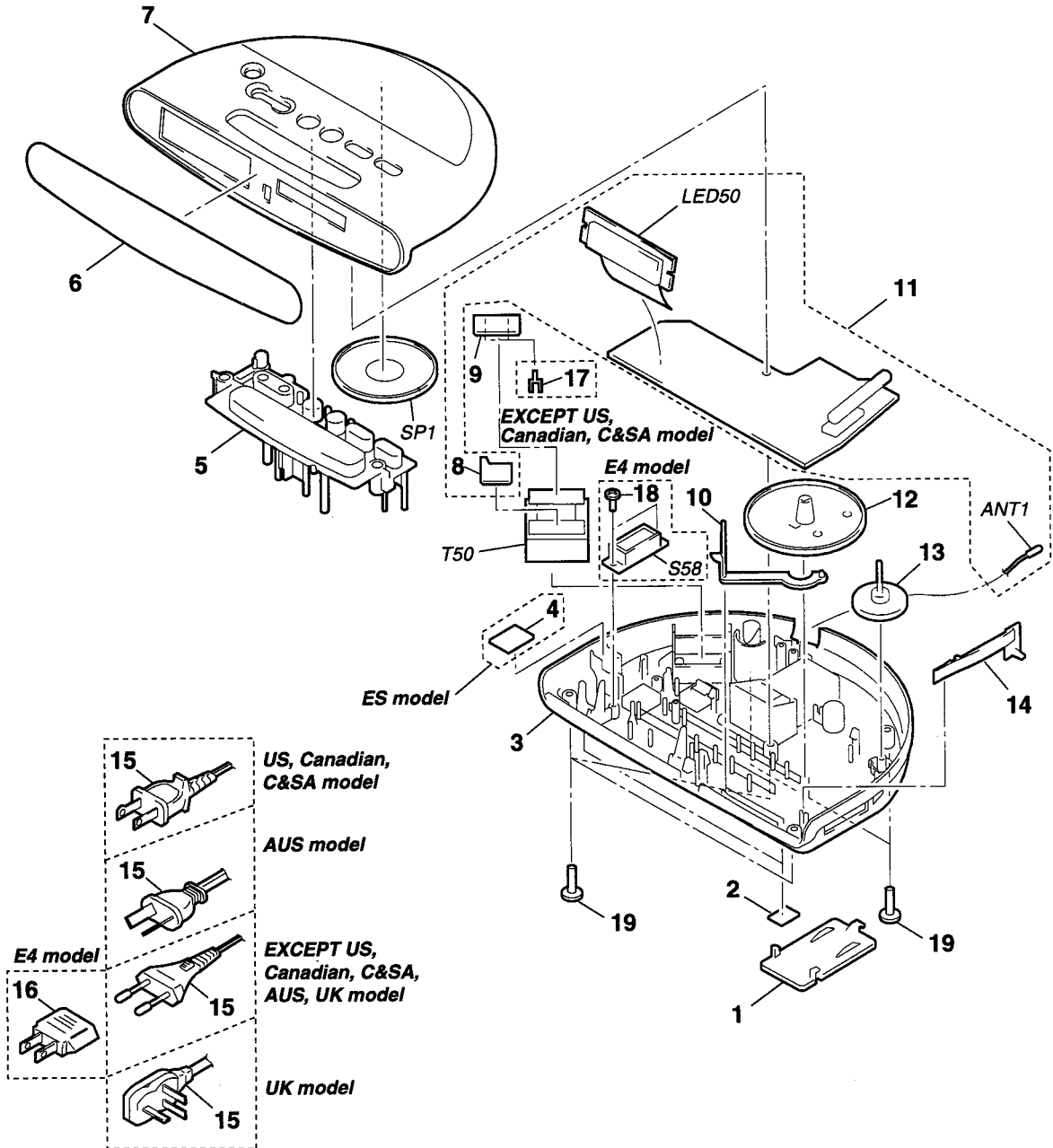


SECTION 6 EXPLODED VIEW

- -XX, -X mean standardized parts, so they may have some difference from the original one.
- Color indication of Appearance Parts
Example :
KNOB, BALANCE (WHITE) ••• (RED)
 ↑ ↑
 Parts color Cabinet's color
- Items marked " * " are not stocked since they are seldom required for routine service. Some delay should be anticipated when ordering these items.
- The mechanical parts with no reference number in the exploded views are not supplied.
- Accessories and packing materials are given in the last of this parts list.
- Abbreviation
AUS : Australian FR : French
IT : Italian CIS : Russian
ES : Spanish
C&SA : Central and South America
E4 : 110–120V, 220–230V AC, 50/60Hz selectable
E13 : 220–230V AC area

The components identified by mark Δ or dotted line with mark Δ are critical for safety.
Replace only with part number specified.

Les composants identifiés par une marque Δ sont critiques pour la sécurité.
Ne les remplacer que par une pièce portant le numéro spécifié.



<u>Ref. No.</u>	<u>Part No.</u>	<u>Description</u>	<u>Remark</u>	<u>Ref. No.</u>	<u>Part No.</u>	<u>Description</u>	<u>Remark</u>
1	3-369-135-21	LID, BATTERY CASE		* 11	A-3679-964-A	MAIN BOARD, COMPLETE (IT)	
2	3-368-852-01	FOOT		* 11	A-3679-965-A	MAIN BOARD, COMPLETE (ES)	
3	3-021-041-01	CABINET (LOWER) (BLACK)		* 11	A-3679-966-A	MAIN BOARD, COMPLETE (E13)	
		(US,Canadian,C&SA)		* 11	A-3679-967-A	MAIN BOARD, COMPLETE (E4)	
3	3-021-041-11	CABINET (LOWER) (WHITE)		* 11	A-3679-968-A	MAIN BOARD, COMPLETE (AUS)	
		(US,Canadian,C&SA)		* 11	A-3679-969-A	MAIN BOARD, COMPLETE (C390L:AEP)	
3	3-021-041-21	CABINET (LOWER) (BLACK)		* 11	A-3679-970-A	MAIN BOARD, COMPLETE (UK)	
		(C390:AEP,E13,CIS,IT,AUS)		* 11	A-3679-971-A	MAIN BOARD, COMPLETE (FR)	
3	3-021-041-31	CABINET (LOWER) (WHITE)		12	3-922-000-01	KNOB (TUNING)	
		(C390:AEP,E13,CIS,IT,AUS)		13	3-919-268-01	KNOB (VOL)	
3	3-021-041-41	CABINET (LOWER) (BLACK) (C390L:AEP,UK)		14	3-021-044-01	KNOB (BAND)	
3	3-021-041-51	CABINET (LOWER) (WHITE) (C390L:AEP,UK)		△ 15	1-555-795-00	CORD, POWER (BLACK)	
3	3-021-041-61	CABINET (LOWER) (BLACK) (FR)				(EXCEPT US,CND,C&SA,AUS,UK)	
3	3-021-041-71	CABINET (LOWER) (WHITE) (FR)		△ 15	1-696-572-21	CORD, POWER (BLACK) (UK)	
				△ 15	1-765-458-11	CORD, POWER (AUS)	
3	3-021-046-01	CABINET (LOWER) (BLACK) (ES)		△ 15	1-769-339-22	CORD, POWER (BLACK) (US,Canadian,C&SA)	
3	3-021-046-11	CABINET (LOWER) (WHITE) (ES)		△ 15	1-769-339-42	CORD, POWER (WHITE) (US,Canadian,C&SA)	
3	3-021-046-21	CABINET (LOWER) (BLACK) (E4)		△ 15	1-777-921-21	CORD, POWER (WHITE)	
3	3-021-046-31	CABINET (LOWER) (WHITE) (E4)				(EXCEPT US,CND,C&SA,AUS,UK)	
* 4	1-667-917-11	JACK BOARD (ES)		△ 16	1-569-008-21	ADAPTOR, CONVERSION 2P (E4)	
5	3-021-042-01	BUTTON (MAIN) (BLACK)		* 17	1-535-771-11	TERMINAL (EXCEPT US,Canadian,C&SA)	
5	3-021-042-11	BUTTON (MAIN) (WHITE)		18	7-685-647-79	SCREW +P 3X10 TYPE2 NON-SLIT (E4)	
6	3-021-045-01	SCALE, DIAL (US,Canadian,E4,C&SA,AUS)		19	7-685-649-79	SCREW +P 3X14 TYPE2 NON-SLIT	
6	3-021-045-11	SCALE, DIAL (C390:AEP,ES,E13,CIS)		ANT1	1-501-907-21	ANTENNA, FM WIRE	
6	3-021-045-21	SCALE, DIAL (IT)		LED50	1-810-026-11	DIODE SL-1994-54T (US,Canadian,C&SA,E4)	
6	3-021-045-31	SCALE, DIAL (C390L:AEP)		LED50	1-810-026-21	DIODE SL-1994-55T (ES,E13)	
6	3-021-045-41	SCALE, DIAL (UK)		LED50	1-810-027-21	DIODE SL-2994-55TB	
6	3-021-045-51	SCALE, DIAL (FR)				(C390:AEP,CIS,IT,AUS/ C390L)	
7	3-021-040-01	CABINET (UPPER) (BLACK)		△ S58	1-554-192-00	SWITCH, SLIDE (POWER VOLTAGE)	
7	3-021-040-11	CABINET (UPPER) (WHITE)				(VOLTAGE SELECTOR) (E4)	
8	1-667-916-11	SECONDARY BOARD (C390/C390L:FR)		SP1	1-504-748-21	SPEAKER (6.6cm)	
9	1-667-915-11	PRIMARY BOARD (C390/C390L:FR)		△ T50	1-427-927-11	TRANSFORMER, POWER (US,Canadian,C&SA)	
9	1-667-915-21	PRIMARY BOARD (C390L:AEP,UK)		△ T50	1-427-928-11	TRANSFORMER, POWER (ES,E13)	
10	3-021-043-01	POINTER		△ T50	1-427-996-11	TRANSFORMER, POWER (E4)	
* 11	A-3679-952-A	MAIN BOARD, COMPLETE		△ T50	1-429-461-11	TRANSFORMER, POWER	
		(US,Canadian,C&SA)				(AEP,CIS,IT,AUS,UK,FR)	
* 11	A-3679-963-A	MAIN BOARD, COMPLETE (C390:AEP,CIS)					

**SECTION 7
ELECTRICAL PARTS LIST**

NOTE :

- Due to standardization, replacements in the parts list may be different from the parts specified in the diagrams or the components used on the set.
- -XX, -X mean standardized parts, so they may have some difference from the original one.
- RESISTORS
All resistors are in ohms
METAL : Metal-film resistor
METAL OXIDE :Metal oxide-film resistor
F : nonflammable
- Items marked “ * ”are not stocked since they are seldom required for routine service. Some delay should be anticipated when ordering these items.

- SEMICONDUCTORS
In each case, u : μ , for example :
uA..... : μ A..... , uPA..... : μ PA.....
uPB..... : μ PB..... , uPC..... : μ PC.....
uPD..... : μ PD.....
- CAPACITORS
uF : μ F
- COILS
uH : μ H
- Abbreviation
AUS : Australian FR : French
IT : Italian CIS : Russian
ES : Spanish
C&SA : Central and South America
E4 : 110-120V, 220-230V AC,50/60Hz selectable
E13 : 220-230V AC area

The components identified by mark Δ or dotted line with mark Δ are critical for safety.
Replace only with part number specified.

Les composants identifiés par une marque Δ sont critiques pour la sécurité.
Ne les remplacer que par une pièce portant le numéro spécifié.

When indicating parts by reference number, please include the board.

Ref. No.	Part No.	Description	Remark	Ref. No.	Part No.	Description	Remark
*	1-667-917-11	JACK BOARD (ES) ***** < JACK >		C9	1-126-964-11	ELECT 10uF 20%	50V
JK1	1-563-836-21	JACK (⊙) (ES) < FLAT CABLE >		C10	1-163-031-11	CERAMIC CHIP 0.01uF	50V
W3	1-775-314-11	CORD, CONNECTION (3 CORE) (ES) *****		C11	1-126-960-11	ELECT 1uF 20%	50V
*	A-3679-952-A	MAIN BOARD, COMPLETE (US,Canadian,C&SA)		C12	1-163-031-11	CERAMIC CHIP 0.01uF	50V
*	A-3679-963-A	MAIN BOARD, COMPLETE (C390:AEP,CIS)		C13	1-126-963-11	ELECT 4.7uF 20%	50V
*	A-3679-964-A	MAIN BOARD, COMPLETE (IT)		C14	1-126-964-11	ELECT 10uF 20%	50V
*	A-3679-965-A	MAIN BOARD, COMPLETE (ES)		C15	1-163-989-11	CERAMIC CHIP 0.033uF 10%	25V
*	A-3679-966-A	MAIN BOARD, COMPLETE (E13)		C16	1-164-004-11	CERAMIC CHIP 0.1uF 10%	25V
*	A-3679-967-A	MAIN BOARD, COMPLETE (E4)		C17	1-128-551-11	ELECT 22uF 20%	25V
*	A-3679-968-A	MAIN BOARD, COMPLETE (AUS)		C18	1-126-925-11	ELECT 470uF 20%	10V
*	A-3679-969-A	MAIN BOARD, COMPLETE (C390L:AEP)		C19	1-164-346-11	CERAMIC CHIP 1uF	16V
*	A-3679-970-A	MAIN BOARD, COMPLETE (C390L:UK)		C20	1-164-346-11	CERAMIC CHIP 1uF	16V
*	A-3679-971-A	MAIN BOARD, COMPLETE (FR) *****		C21	1-126-933-11	ELECT 100uF 20%	10V
	1-501-907-21	ANTENNA, FM WIRE < CAPACITOR >		C22	1-163-121-00	CERAMIC CHIP 150PF 5%	50V (C390L)
C1	1-163-227-11	CERAMIC CHIP 10PF	0.5PF 50V (C390/C390L:FR)	C23	1-163-009-11	CERAMIC CHIP 0.001uF 10%	50V (C390L:AEP,UK)
C1	1-163-234-11	CERAMIC CHIP 20PF	5% 50V (C390L:AEP,UK)	C24	1-163-235-11	CERAMIC CHIP 22PF 5%	50V (C390L)
C2	1-163-227-11	CERAMIC CHIP 10PF	0.5PF 50V (C390/C390L:FR)	C25	1-163-125-00	CERAMIC CHIP 220PF 5%	50V
C3	1-163-103-00	CERAMIC CHIP 27PF	5% 50V (EXCEPT IT)	C26	1-163-251-11	CERAMIC CHIP 100PF 5%	50V (C390/C390L:FR)
C3	1-163-234-11	CERAMIC CHIP 20PF	5% 50V (IT)	C29	1-163-085-00	CERAMIC CHIP 2PF	50V (C390)
C4	1-163-097-00	CERAMIC CHIP 15PF	5% 50V (IT)	C30	1-163-031-11	CERAMIC CHIP 0.01uF	50V
C5	1-163-090-00	CERAMIC CHIP 7PF	50V	C31	1-163-239-11	CERAMIC CHIP 33PF 5%	50V (C390/C390L:FR)
C6	1-163-235-11	CERAMIC CHIP 22PF	5% 50V (C390/C390L:FR)	C32	1-163-009-11	CERAMIC CHIP 0.001uF 10%	50V (C390/C390L:FR)
C6	1-163-251-11	CERAMIC CHIP 100PF	5% 50V (C390L:AEP,UK)	C33	1-163-227-11	CERAMIC CHIP 10PF 0.5PF	50V (C390L)
C8	1-163-031-11	CERAMIC CHIP 0.01uF	50V	C50	1-163-009-11	CERAMIC CHIP 0.001uF 10%	50V
				C51	1-164-182-11	CERAMIC CHIP 0.0033uF 10%	50V
				C52	1-163-038-11	CERAMIC CHIP 0.1uF	25V
				C53	1-163-009-11	CERAMIC CHIP 0.001uF	10% 50V
				C55	1-126-933-11	ELECT 100uF 20%	10V
				C56	1-126-925-11	ELECT 470uF 20%	10V
				C57	1-126-934-11	ELECT 220uF 20%	16V
				C58	1-163-031-11	CERAMIC CHIP 0.01uF	50V
				C59	1-163-031-11	CERAMIC CHIP 0.01uF	50V
				C60	1-164-232-11	CERAMIC CHIP 0.01uF	50V
				C61	1-128-551-11	ELECT 22uF 20%	25V
				C62	1-163-031-11	CERAMIC CHIP 0.01uF	50V

Ref. No.	Part No.	Description	Remark
C63	1-163-031-11	CERAMIC CHIP 0.01uF	50V
C64	1-163-009-11	CERAMIC CHIP 0.001uF 10%	50V
< FILTER >			
CF1	1-577-072-11	FILTER, CERAMIC (C390/C390L:FR)	
CF1	1-578-677-11	FILTER, CRYSTAL (C390L:AEP,UK)	
CF2	1-579-632-51	FILTER, CERAMIC	
CF3	1-579-632-51	FILTER, CERAMIC	
< TRIMMER >			
CT5	1-141-443-11	CAP, CERAMIC TRIMMER 30PF (C390L)	
CT6	1-141-443-11	CAP, CERAMIC TRIMMER 30PF (C390L)	
< VARIABLE CAPACITOR >			
CT1	1-141-529-11	CAP, VAR (TUNING)	
CT2	1-141-529-11	CAP, VAR (TUNING)	
CT3	1-141-529-11	CAP, VAR (TUNING)	
CT4	1-141-529-11	CAP, VAR (TUNING)	
CV1	1-141-529-11	CAP, VAR (TUNING)	
CV2	1-141-529-11	CAP, VAR (TUNING)	
CV3	1-141-529-11	CAP, VAR (TUNING)	
CV4	1-141-529-11	CAP, VAR (TUNING)	
< DIODE >			
D50	8-719-911-19	DIODE 1SS119	
D51	8-719-911-19	DIODE 1SS119	
D52	8-719-052-88	DIODE 1N4002	
D53	8-719-911-19	DIODE 1SS119	
D54	8-719-911-19	DIODE 1SS119	
D55	8-719-109-84	DIODE RD5.1ES-B1	
D98	8-719-911-19	DIODE 1SS119 (ES,C390L:AEP,UK)	
D99	8-719-911-19	DIODE 1SS119 (ES,C390L:AEP,UK)	
< IC >			
IC1	8-752-037-02	IC CXA1019S	
IC50	8-759-193-05	IC LC85632	
< JUMPER REGISTOR >			
JC1	1-216-295-00	METAL CHIP 0 5% 1/10W	
JC2	1-216-295-00	METAL CHIP 0 5% 1/10W	
(EXCEPT ES)			
JC49	1-216-295-00	METAL CHIP 0 5% 1/10W	
(US,Canadian,E4,C&SA)			
JC50	1-216-295-00	METAL CHIP 0 5% 1/10W	
(EXCEPT US,Canadian,C&SA,E4,UK)			
JC51	1-216-295-00	METAL CHIP 0 5% 1/10W	
(AUS,UK)			
JC52	1-216-295-00	METAL CHIP 0 5% 1/10W	
(US,Canadian,C&SA,E4)			
JC53	1-216-295-00	METAL CHIP 0 5% 1/10W	
(EXCEPT US,Canadian,C&SA,E4)			
JC99	1-216-296-00	METAL CHIP 0 5% 1/8W	
(ES,C390L:AEP,UK)			
< COIL >			
L1	1-402-472-31	ANTENNA, FERRITE-ROD (MW) (C390)	
L1	1-501-618-11	ANTENNA, FERRITE-ROD (LW) (FR)	
L1	1-501-976-11	ANTENNA, FERRITE-ROD (LW/MW)	
(C390L:AEP,UK)			

Ref. No.	Part No.	Description	Remark
L3	1-428-229-11	COIL, AIR-CORE (EXCEPT IT)	
L3	1-406-425-11	COIL (IT)	
L4	1-406-028-00	COIL, OSC (MW)	
< LED >			
LED50	1-810-026-11	LED SL-1994-54T (LED DISPLAY)	
(US,Canadian,C&SA,E4)			
LED50	1-810-026-21	LED SL-1994-55T (LED DISPLAY)(ES,E13)	
LED50	1-810-027-21	LED SL-2994-55TB (LED DISPLAY)	
(C390:AEP,CIS,IT,AUS,C390L)			
< IC LINK >			
△PS50	1-533-971-11	RINC, IC (200mA) (AEP,FR,ES,UK,AUS,IT,CIS)	
< TRANSISTOR >			
Q1	8-729-119-76	TRANSISTOR 2SA1175-HFE	
Q2	8-729-925-14	TRANSISTOR 2SC1740SLN-R	
(C390L:AEP,UK)			
Q3	8-729-029-66	TRANSISTOR DTC114ES-A	
(C390L:AEP,UK)			
Q50	8-729-011-92	TRANSISTOR 2SC2001TP-K1K2	
Q51	8-729-119-76	TRANSISTOR 2SA1175-HFE	
(US,Canadian,E4,C&SA)			
< RESISTOR >			
R2	1-216-017-11	RES,CHIP 47 5% 1/10W	
R3	1-216-073-00	METAL CHIP 10K 5% 1/10W	
R4	1-216-097-11	RES,CHIP 100K 5% 1/10W	
R6	1-216-057-00	METAL CHIP 2.2K 5% 1/10W	
R7	1-216-081-00	METAL CHIP 22K 5% 1/10W	
(C390L:AEP,UK)			
R8	1-216-097-11	RES,CHIP 100K 5% 1/10W	
(C390L:AEP,UK)			
R11	1-216-061-00	METAL CHIP 3.3K 5% 1/10W	
R12	1-216-049-11	RES,CHIP 1K 5% 1/10W	
R50	1-216-096-00	RES,CHIP 91K 5% 1/10W	
R51	1-216-041-00	METAL CHIP 470 5% 1/10W	
R53	1-216-065-11	RES,CHIP 4.7K 5% 1/10W	
R54	1-216-073-00	METAL CHIP 10K 5% 1/10W	
R55	1-216-049-11	RES,CHIP 1K 5% 1/10W	
R56	1-216-113-00	METAL CHIP 470K 5% 1/10W	
R57	1-216-073-00	METAL CHIP 10K 5% 1/10W	
R60	1-216-073-00	METAL CHIP 10K 5% 1/10W	
R61	1-216-073-00	METAL CHIP 10K 5% 1/10W	
< SWITCH >			
S1	1-762-231-11	SWITCH, SLIDE (BAND) (C390/C390L:FR)	
S1	1-572-949-11	SWITCH, SLIDE (BAND) (C390L:AEP,UK)	
S50	1-762-233-11	SWITCH, KEYBOARD (TIME SET -)	
S51	1-762-233-11	SWITCH, KEYBOARD (TIME SET +)	
S52	1-762-233-11	SWITCH, KEYBOARD	
(SNOOZE/DATE/SLEEP OFF)			
S53	1-762-233-11	SWITCH, KEYBOARD (ALARM/A RADIO)	
S54	1-762-233-11	SWITCH, KEYBOARD (ALARM/A BUZZER)	
S55	1-762-233-11	SWITCH, KEYBOARD (SLEEP)	
S56	1-762-233-11	SWITCH, KEYBOARD (ALARM RESET/OFF)	
S57	1-762-233-11	SWITCH, KEYBOARD (CLOCK)	

The components identified by mark △ or dotted line with mark △ are critical for safety. Replace only with part number specified.	Les composants identifiés par une marque △ sont critiques pour la sécurité. Ne les remplacer que par une pièce portant le numéro spécifié.
--	--

ICF-C390/C390L

MAIN PRIMARY SECONDARY

Ref. No.	Part No.	Description	Remark
		< TRANSFORMER >	
T1	1-404-790-11	TRANSFORMER, IF (C390/C390L:FR)	
T1	1-404-902-21	TRANSFORMER, IF (C390L:AEP,UK)	
		< VARIABLE RESISTOR >	
VR1	1-228-790-00	RES, VAR, CARBON 50K (VOL▲)	
		< FLAT CABLE >	
W50	1-777-242-11	CORD, CONNECTION	
W51	1-775-313-11	CORD, CONNECTION (4 CORE)	
W52	1-535-804-21	SNAP, BATTERY	

	1-667-915-11	PRIMARY BOARD (C390/C390L:FR)	
	1-667-915-21	PRIMARY BOARD (C390L:AEP,UK)	

*	1-535-771-11	TERMINAL (EXCEPT US,Canadian,C&SA)	

	1-667-916-11	SECONDARY BOARD (C390/C390L:FR)	
	1-667-916-21	SECONDARY BOARD (C390L:AEP,UK)	

MISCELLANEOUS			

△15	1-555-795-00	CORD, POWER (BLACK) (EXCEPT US,CND,C&SA,AUS,UK)	
△15	1-696-572-21	CORD, POWER (BLACK) (UK)	
△15	1-765-458-11	CORD, POWER (AUS)	
△15	1-769-339-22	CORD, POWER (BLACK) (US,Canadian,C&SA)	
△15	1-769-339-42	CORD, POWER (WHITE) (US,Canadian)	
△15	1-777-921-21	CORD, POWER (WHITE) (EXCEPT US,CND,C&SA,AUS,UK)	
△16	1-569-008-21	ADAPTOR, CONVERSION 2P (E4)	
ANT1	1-501-907-21	ANTENNA, FM WIRE	
LED50	1-810-026-11	LED SL-1994-54T (LED DISPLAY) (US,Canadian,C&SA,E4)	
LED50	1-810-026-21	LED SL-1994-55T (LED DISPLAY) (ES,E13)	
LED50	1-810-027-21	LED SL-2994-55TB (LED DISPLAY) (C390:AEP,CIS,IT,AUS/ C390L)	
△S58	1-554-192-00	SWITCH, SLIDE (POWER VOLTAGE) (VOLTAGE SELECTOR) (E4)	
SP1	1-504-748-21	SPEAKER (6.6cm)	
△T50	1-427-927-11	TRANSFORMER, POWER (US,Canadian,C&SA)	
△T50	1-427-928-11	TRANSFORMER, POWER (ES,E13)	
△T50	1-427-996-11	TRANSFORMER, POWER (E4)	
△T50	1-429-461-11	TRANSFORMER, POWER (AEP,CIS,IT,AUS,UK,FR)	

Ref. No.	Part No.	Description	Remark
		ACCESSORIES & PACKING MATERIALS *****	
	3-861-714-11	MANUAL, INSTRUCTION (ENGLISH, FRENCH, GERMAN, DUTCH) (C390:AEP,CIS,AUS,C390L)	
	3-861-714-21	MANUAL, INSTRUCTION (ENGLISH) (US)	
	3-861-714-31	MANUAL, INSTRUCTION (SWEDISH, PORTUGUESE, DANISH, FINNISH) (C390:AEP)	
	3-861-714-41	MANUAL, INSTRUCTION (ENGLISH, FRENCH, SPANISH, ITALIAN) (Canadian,IT/C390L:AEP)	
	3-861-714-51	MANUAL, INSTRUCTION (ENGLISH, SPANISH, PORTUGUESE, CHINESE) (ES,E4,E13,C&SA)	
	3-861-714-61	MANUAL, INSTRUCTION (RUSSIAN, POLISH, CZECH, HUNGARIAN) (CIS)	

The components identified by mark △ or dotted line with mark △ are critical for safety. Replace only with part number specified.	Les composants identifiés par une marque △ sont critiques pour la sécurité. Ne les remplacer que par une pièce portant le numéro spécifié.
--	--