



Living innovation

Instruction Manual
Coffee Maker

Mode D'emploi
Cafetière

Manual de instrucciones
de cafetera automática

Manuale di istruzioni
Macchine da caffè



DCM900 Series / Serié

**PRODUCT REGISTRATION / Registro Del Producto
ENREGISTREMENT DU PRODUIT / Registro Del Prodotto**

Register this product on-line and receive a free trial issue of Cook's Illustrated.
Visit www.prodregister.com/delonghi. (U.S. and Canada)

Enregistrez ce produit en ligne et recevez un numéro gratuit de Cook's Illustrated.
Visitez www.prodregister.com/delonghi. (E.U. et Canada)

Registre este producto en línea y reciba un ejemplar gratis de Cook's Illustrated.
Visite www.prodregister.com/delonghi. (Los Estados Unidos y Canada)

Registra questo prodotto "on-line" per riceuere una copia omaggio délla rivista.
Visita www.prodregister.com/delonghi. (Stati Uniti e Canada)

**SERVICE CENTERS / Centros De Servicios
CENTRES DE RÉPARATION / Centri Di Servizio**

Visit www.delonghi.com for a list of **service centers** near you. (U.S. and Canada)

Visitez www.delonghi.com pour y voir une liste des **centres de réparation** proches de chez vous. (E.U. et Canada)

Visite www.delonghi.com para ver la lista de **centros de servicios cercanos a usted**. (Los Estados Unidos y Canada)

Visita www.delonghi.com per una lista dei **centri di servizio a te piu vicini**. (Stati Uniti and Canada)

Read and Save These Instructions - Lisez et conservez ces instructions
Guardar estas instrucciones después de haberlas leído - Leggete e conservate queste istruzioni

INTRODUCTION

Thank you for choosing De'Longhi!

A steadfast commitment to quality and innovation has made De'Longhi a leader in household appliances around the world for over 100 years. Our Italian heritage is reflected in every product, every feature and every design. And we are dedicated to creating products that enhance and benefit the lives of our consumers. We hope that you'll enjoy your De'Longhi appliance for years to come!

Now that you've discovered us, we think you'll agree, that each and every De'Longhi appliance is truly a "Living Innovation".

Get to know us better...visit us at www.delonghi.com for our full line of products.



TABLE OF CONTENTS

Product Registration.....	<i>Front Cover</i>
Service Centers.....	<i>Front Cover</i>
Important Safeguards.....	4
Short Cord Instructions.....	6
Before First Use.....	6
Know Your Coffee Maker.....	7
Operating Your Coffee Maker.....	9
Decalcification.....	12
Cleaning Your Coffee Maker.....	13
Limited Warranty.....	14
Customer Service.....	15
Purchase Parts and Accessories.....	15
Corporate Information.....	15
Technical Information.....	15

IMPORTANT SAFEGUARDS

When using electrical appliances, basic safety precautions should always be followed to reduce the risk of fire, electrical shock and/or personal injury.

1. Read all instructions carefully.
2. Watch out for the release of steam, and never lift the filter holder lid during the brewing cycle.
3. Always lift the filter holder using the opening tab.
4. Do not touch hot surfaces. Use the handle on the carafe.
5. Never touch the warming plate.
6. To protect against electrical shock, do not place cord, plug or coffee maker in water or other liquid.
7. Close supervision is necessary when any appliance is used by or near children.
8. Turn off and unplug from outlet before filling with water, when not in use and before cleaning. Allow to cool before putting on or taking off parts, and before cleaning the appliance.
9. Do not operate any appliance with a damaged cord or plug or after the appliance malfunctions or has been damaged in any manner. Return appliance to authorized service facility for examination, repair or adjustment.
10. The use of accessory attachments is not recommended by the manufacturer. It may be dangerous and should be avoided.
11. Do not use outdoors.
12. Do not let cord hang over edge of table or counter, or touch hot surfaces. Wind excess cord into the cord storage device.
13. Do not place on or near hot gas or electric burner, or in heated oven.
14. Always plug cord into the wall outlet before turning on any controls. To disconnect turn power OFF, then remove plug from wall outlet.
15. Always use cold water to make coffee. Warm water or other liquids could cause damage to the coffee maker. Always make sure there is water in the tank before turning the machine on.
16. Scalding may occur if the cover is lifted or removed during the brewing cycle.
17. Do not use this appliance for other than intended use.
18. Do not set a hot carafe on a wet or cold surface.
19. Do not place hot carafe on or near paper, cloth or other flammable material.
20. Never use the carafe on a range top or in a microwave oven.

IMPORTANT SAFEGUARDS

21. Do not allow liquid to evaporate from carafe. Do not heat carafe when empty.
22. Do not move entire unit when carafe contains hot liquid.
23. Use the lid on the carafe while brewing and pouring coffee.
24. Discard carafe if damaged in any manner, or a carafe having a loose or weakened handle. A chip or crack could result in breakage or contaminate liquid contents with glass particles.
25. Do not clean carafe with scouring powders, steel wool pads or other abrasive materials.
26. This carafe is designed for use with this coffee maker only.
27. **WARNING:** To reduce the risk of fire or electrical shock, do not remove the bottom cover. No user serviceable parts inside. Repairs should be performed by authorized service personnel only. **NOTE:** Do not immerse in any liquid.
28. **WARNING:** Do not lift the water tank lid during operation, could cause severe burns. Always lift the lid by the opening lip and when the unit is turned off.
29. Do not touch hot parts.
30. Save these instructions.

Household Use Only
SAVE THESE INSTRUCTIONS

SHORT CORD INSTRUCTIONS

A short power cord is provided to reduce the risk resulting from entanglement or tripping over a longer cord. Longer detachable power supply cords are available and may be used if care is exercised in their use. If a longer detachable power cord or extension cord is used (1) the marked electrical rating of the extension cord should be at least as great as the electrical rating of the appliance, and (2) the longer cord should be arranged so that it will not drape over the countertop or table top where it can be pulled on by children or tripped over unintentionally. The electrical rating of the appliance is listed on the bottom of the unit. If the appliance is of the grounded type, the extension cord should be a grounded type 3 wire cord. This appliance has a polarized plug. One blade is wider than the other. To reduce the risk of electrical shock this plug will fit in a polarized plug only one way. If the plug does not fit, contact a qualified electrician. Do not attempt to modify the plug in any way.

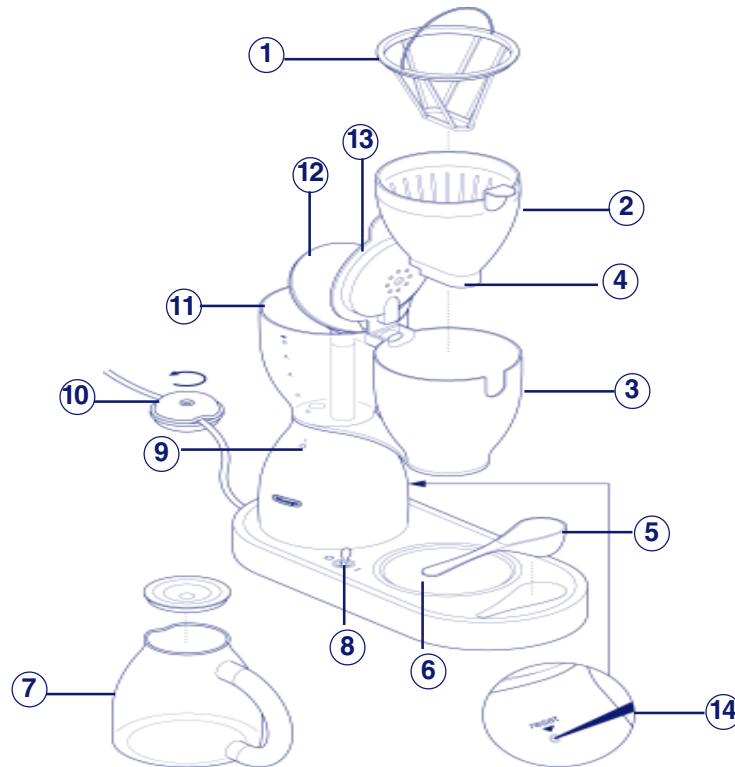
BEFORE FIRST USE

Place the box on a large, sturdy flat surface. Carefully unpack your coffee maker and remove all packaging material and literature. Remove any labels or stickers from the coffee maker. To remove any dust that may have accumulated during packaging, you may wipe the unit with a clean, damp cloth. Dry thoroughly. Do not immerse the coffee maker in water or other liquid. Clean the carafe, carafe lid, filter basket and filter in warm water with mild detergent. Rinse and dry thoroughly. Do not use harsh or abrasive cleaners. (See "Cleaning Your Coffee Maker" section of this manual for detailed instructions.) Keep all plastic bags away from children.

NOTE: We recommend that prior to brewing your first pot of coffee, operate the coffee maker once or twice with water only and without ground coffee or with just a small amount of ground coffee. This will remove any dust that may have settled inside the coffee maker, which may affect the flavor of the coffee.

IMPORTANT: Use cold water only. The automatic drip system works best with cold water.

KNOW YOUR COFFEE MAKER



- | | |
|--------------------------------------|-----------------------------------|
| 1. Permanent Gold-Tone Filter | 8. On/Off Switch with Power Light |
| 2. Filter Basket | 9. Decalcification Warning Light |
| 3. Filter Holder | 10. Cord Storage |
| 4. Anti-Drip Device (Pause 'N Serve) | 11. Water Tank |
| 5. Measuring Spoon | 12. Water Tank Lid |
| 6. Non-Stick Warming Plate | 13. Filter Holder Lid |
| 7. Glass Carafe and Lid | 14. Decalcification Reset Button |

KNOW YOUR COFFEE MAKER

FEATURES:

1. **SEAMLESS ALUMINUM BODY** Beautiful seamless design is stylish, yet durable.
2. **EXCLUSIVE DUAL-HEATING SYSTEM** The first part of the system, the stainless steel boiler, creates a faster brewing process. The second part of the system, a dedicated heating element for the warming plate, maintains the optimal keep warm temperature.
3. **PERMANENT GOLD-TONE FILTER:** Specially designed to keep even the finest grounds out of your coffee. And because it's more durable than most filters, it lasts longer.
4. **REMOVABLE FILTER BASKET:** Allows for convenient filling and easy cleaning.
5. **NON-STICK WARMING PLATE:** Keeps coffee hot after brewing is complete, and makes cleanup quick and easy.
6. **CORD STORAGE:** Keeps power cord out of harm's way when coffee maker is not in use.
7. **DECALCIFICATION WARNING LIGHT:** Lets you know when it's time to decalcify the coffee maker.
8. **PAUSE 'N SERVE:** Allows you to interrupt the brewing cycle and pour a cup of coffee before the entire carafe is finished brewing. To restart the brewing process, return the carafe to warming plate and coffee will automatically begin flowing through filter basket. Make sure carafe is placed all the way on the non-stick warming plate. **CAUTION:** Do not remove carafe for longer than 30 seconds or the filter basket will overflow.
9. **WATER LEVEL INDICATOR:** Large easy-to-read numbers indicate how many cups of water have been poured into the coffee maker.
10. **2-HOUR AUTOMATIC SHUT-OFF** for safe operation.

OPERATING YOUR COFFEE MAKER

PREPARING COFFEE MAKER FOR BREWING COFFEE:

1. Place the coffee maker on a flat, level surface away from any edge.
2. Plug the unit into a 120V / 60Hz only outlet.
3. The lid of the carafe must be fitted properly during the brewing process. And the carafe must be set on the warming plate.
4. **WARNING: The lid of the coffee maker must be completely closed during operation.**

FILLING THE WATER TANK:

5. Remove the lid from the water tank.
6. Fill the tank with the desired amount of cold water. The water level must be between the top and bottom cup marks. **NOTE:** Do not fill above the MAX level.
7. Always use cold water.

NOTE: The amount of brewed coffee after the brewing process is complete will always be slightly less than the amount of water placed in the coffee maker's water tank, since some water is absorbed by the coffee grounds and filter. Add a little extra water at the beginning so that you have the exact number of cups desired.

PREPARING THE COFFEE:

8. Lift the lid on the filter holder. Be sure the filter basket and filter are properly positioned inside the filter holder. The permanent gold-tone filter (included) may be used instead of or in addition to a paper filter (not included). If using paper filters, insert a #4 cone-shaped filter into the filter basket before filling with coffee.
9. Place the desired amount of ground coffee in the filter using the measuring spoon provided. According to coffee industry standards, use one standard coffee measure (2 level tablespoons) of grounds for each cup/mug of water. After using your coffee maker several times, the amount of coffee may be adjusted to suit your particular taste by decreasing or increasing the amount of coffee used. **NOTE:** Be sure to use coffee grounds prepared specifically for use with automatic drip coffee makers.

OPERATING YOUR COFFEE MAKER

10. Close the filter holder lid. **WARNING:** Do not operate your coffee maker if the lid does not close completely. If the lid does not close completely, check to see that the filter basket is properly positioned inside the filter holder.
11. Secure the lid on the glass carafe until it locks into place. Place the carafe on the non-stick warming plate. For brewing the lid should be completely closed.
12. Plug the unit into an outlet and flip the ON/OFF switch into the ON position. The ON/OFF switch will illuminate and the coffee maker will start the brewing process.
13. Do not remove the glass carafe from the warming plate until the brewing process is complete.
14. In a few minutes the coffee maker will complete the brewing cycle. **NOTE:** To terminate the brewing process at any time, flip the ON/OFF switch into the OFF position.
15. **NOTE:** If you would like a cup of coffee before the full pot is brewed, the Pause 'N Serve feature allows you to interrupt the brewing process. The brewing process does not stop during this period; only the flow of coffee from the basket. ***Do not remove the carafe for longer than 30 seconds or the coffee may overflow from the basket stops.*** While we offer this feature, we do not recommend you pour the coffee before the cycle has reached completion, since the coffee brewed at the beginning of the cycle has a flavor which is very different from the flavor at the end of the cycle. Removing a cup during the brewing cycle will alter the flavor of the finished pot.
16. The separate heating element for the non-stick warming plate ensures that the coffee maintains the correct temperature after brewing is complete.
17. To pour coffee after brewing is complete, remove the carafe from the non-stick warming plate. Once the desired amount of coffee has been poured, return the carafe to the non-stick warming plate.
18. The non-stick warming plate will keep your coffee hot, but the sooner you drink it, the better it will taste. The coffee maker will keep the coffee hot and then automatically shut-off after 2 hours.
19. Flip the ON/OFF switch to turn the unit OFF when the carafe is empty or when the coffee maker is not in use. After brewing cycle is complete, discard the grounds and rinse the permanent gold-tone filter and filter basket thoroughly with water. (See "Cleaning Your Coffee Maker" section of this manual for more details).

OPERATING YOUR COFFEE MAKER

20. **NOTE:** If you have not used the coffee maker in awhile, run one cycle with water only (without coffee) to clean it out. Fill the water tank to the top cup when you perform this procedure. **WARNING:** Never put the carafe in the microwave.

HINTS FOR GREAT TASTING COFFEE

1. A clean coffee maker is essential for making great tasting coffee. Regular cleaning is recommended, as specified in the "Cleaning Your Coffee Maker" section of this manual.
2. Always use fresh, cold water in your coffee maker.
3. Fine grind coffee promotes fuller extraction and provides rich, full-tasting coffee. Regular grind will require slightly more coffee grounds per cup to provide the strength of a finer grind.
4. Store coffee grounds in a cool, dry place. Once coffee has been opened, keep it tightly sealed in refrigerator to maintain freshness.
5. For optimum coffee, buy whole beans and grind them just before brewing.
6. Do not re-use coffee grounds since this will lessen coffee flavor.
7. Reheating coffee is not recommended. Coffee is at its peak flavor immediately after brewing.
8. Small oil droplets on the surface of brewed black coffee are due to the extraction of oil from the coffee grounds. Oiliness may occur more frequently if heavily roasted coffee is used. Over-extraction may also cause oiliness, indicating a need to clean your coffee maker.

DECALCIFICATION

Calcium deposits may build up in the coffee maker as a result of minerals commonly found in drinking water. The build-up is normal and may result in a slow down of the coffee maker's brewing time. The slow down can be eliminated by periodically decalcifying the coffee maker.

DECALCIFICATION INDICATOR

1. After approximately 90 brew cycles the coffee maker will automatically indicate when it needs to be cleaned.
2. The decalcification warning light will flash to indicate that the coffee maker requires decalcification.

HOW TO DECALCIFY YOUR COFFEE MAKER

3. To decalcify, fill the carafe with cold water and two tablespoons of white vinegar.
4. Pour the solution into the water tank, and then close the lid. Place the carafe on the warming plate and allow the coffee maker to brew the vinegar solution.
5. While decalcifying, do not use a filter in the filter basket. When the vinegar solution has finished brewing, empty the carafe and rinse it out with cold water.
6. Refill the water reservoir with cold water only and run another brew cycle to remove any remaining vinegar solution. Repeat if necessary.
7. To reset the machine after decalcification is complete, press the reset button located in the back of the machine.

CLEANING YOUR COFFEE MAKER

1. **WARNING:** Make sure your coffee maker is unplugged before attempting to clean. To protect against electric shock, do not immerse cord, plug or unit in water or other liquid.
2. The outside of your coffee maker can be cleaned by wiping the surface with a damp, soft cloth. **WARNING:** Never immerse the coffee maker in water or other liquid.
3. Clean inside of coffee maker with a damp cloth and mild detergent. Do not use harsh abrasives or scouring pads on carafe, it will scratch the surface.
4. Carafe lid and removable filter basket may be washed with warm, soapy water. Rinse and dry thoroughly. Do not place any parts of the coffee maker in the dishwasher.
5. To clean the permanent gold-tone filter, empty the grounds and rinse thoroughly.
6. Do not clean the inside of the water tank with a cloth as the cloth may have a lint residue that could clog the coffee maker.
7. For stubborn stains, use a nylon or plastic pad with a non-abrasive cleanser (inside of coffee maker only). Do not use metal scouring pads or abrasive cleansers.

LIMITED WARRANTY

De'Longhi is the distributor of Kenwood home appliances. This warranty applies to all home appliances with De'Longhi or Kenwood brand names.

What does the warranty cover?

We warrant each appliance to be free from defects in material and workmanship. Our obligation under this warranty is limited to repair at our factory or authorized service center of any defective parts or part thereof, other than parts damaged in transit. In the event of a products replacement or return, the unit must be returned transportation prepaid. The repaired or new model will be returned at the company expense.

This warranty shall apply only if the appliance is used in accordance with the factory directions, which accompany it, and on an Alternating current (AC) circuit.

How long does the coverage last?

This warranty runs for one year (1) from the purchase date found on your receipt and applies only to the original purchaser for use.

What is not covered by the warranty?

The warranty does not cover defects or damage of the appliance, which result from repairs or alterations to the appliance outside our factory or authorized service centers, nor shall it apply to any appliance, which has been subject to abuse, misuse, negligence or accidents. Also, consequential and incidental damage resulting from the use of this product or arising out of any breach of contract or breach of this warranty are not recoverable under this warranty. Some states do not allow the exclusion or limitation of incidental or consequential damage, so the above limitation may not apply to you.

How do you get service?

If repairs become necessary, see contact information below:

U.S. Residents: Please contact our toll free hotline at 1-800-322-3848 or log onto our website at www.delonghi.com. For all accessories, spare parts or replacement parts, please contact our parts division at 1-800-865-6330.

Residents of Canada: Please contact our toll free hotline at 1-888-335-6644 or log onto our website at www.delonghi.com.

Residents of Mexico: Please refer to the Limited Warranty statement for Mexico.

Please refer to the back page of the manual for De'Longhi addresses.

The above warranty is in lieu of all other express warranties and representations. All implied warranties are limited to the applicable warranty period set forth above. This limitation does not apply if you enter into an extended warranty with De'Longhi. Some states do not allow limitations on how long an implied warranty lasts, so the above exclusions may not apply to you. De'Longhi does not authorize any other person or company to assume for it any liability in connection with the sale or use of its appliance.

How does state law apply?

This warranty gives you specific legal rights, and you may also have other rights, which vary from state to state.

IMPORTANT INFORMATION

CUSTOMER SERVICE

Visit www.delonghi.com or call

U.S. Residents: 1-800-322-3848 (8:30 - 5:00 EST) Mon-Fri

Canada Residents: 1-800-335-6644 (8:30 - 4:30) Mon-Fri

PURCHASE PARTS AND ACCESSORIES

Visit www.delonghi.com or call:

U.S. Residents: 1-800-865-6330 (8:30 – 5:00 EST) Mon-Fri

Canada Residents: 1-888-335-6644 (8:30 – 4:30) Mon-Fri or fill out the form provided.

CORPORATE INFORMATION

De'Longhi America, Inc.
Park 80 West, Plaza One
Saddle Brook, NJ 07663
1-800-322-3848

De'Longhi Canada, Inc.
6150 McLaughlin Court
Mississauga, Ontario
L5R 4E1 Canada
1-888-335-6644

Centro Nacional de Servicio:
Fiducia Italiana S.A. de C.V.
Hortencia 129 Col. Florida
México D.F., C.P. 01030
01-800-711-88-05 (lada sin costo)
56-62-53-68 y 69 (D.F.)

De'Longhi S.p.A.
Via L. Seitz 47
Treviso, Italy 31100

www.delonghi.com

TECHNICAL INFORMATION

Made in PRC
Power Requirement: 120 Volts / 60 Hz
Power Consumption: 1500 Watts

INTRODUCCIÓN

¡Gracias por elegir De'Longhi!

Un rotundo compromiso con la calidad y la innovación hicieron que De'Longhi sea el líder en electrodomésticos para el hogar en todo el mundo durante más de 100 años. Nuestra herencia italiana se refleja en cada producto, cada función y en cada diseño. Y nos dedicamos a crear productos que mejoren y beneficien la vida de nuestros consumidores. ¡Esperamos que disfrute su electrodoméstico De'Longhi durante los años venideros!

Ahora que nos ha descubierto, creemos que estará de acuerdo con que todos y cada uno de los electrodomésticos De'Longhi son verdaderamente una "Innovación de vida".

Conózcanos mejor...visítenos en www.delonghi.com para ver nuestra completa línea de productos.



ÍNDICE

Inscripción del producto	<i>Tapa</i>
Centros de mantenimiento	<i>Tapa</i>
Medidas de seguridad importantes	18
Instrucciones del cable corto	20
Antes de utilizar por primera vez	20
Conozca la cafetera	21
El funcionamiento de la cafetera	23
Descalcificación	26
Limpieza de la cafetera	27
Garantía limitada	28
Servicio de atención al cliente	30
Compra de repuestos y accesorios	30
Información corporativa	30
Información técnica	30

MEDIDAS DE SEGURIDAD IMPORTANTES

Cuando utilice electrodomésticos y para reducir el riesgo de incendio, descargas eléctricas y/o lesiones personales, se deben seguir siempre las precauciones de seguridad básicas.

1. Lea todas las instrucciones atentamente.
2. Tenga cuidado con la liberación de vapor y no levante nunca la tapa del portafiltros durante el ciclo de elaboración.
3. Siempre levante el portafiltros utilizando la lengüeta de abertura.
4. No toque las superficies calientes. Utilice la manija de la jarra.
5. No toque nunca la placa calefactora.
6. Para evitar descargas eléctricas, no coloque el cable, el enchufe ni la cafetera en agua ni en ningún otro líquido.
7. Ponga mucha atención cuando cualquier electrodoméstico sea utilizado por un niño o cerca de ellos.
8. Apague la cafetera y desenchúfela del tomacorriente antes de llenarla con agua, cuando no la esté utilizando o antes de limpiarla. Deje secar antes de colocar o quitar partes y antes de limpiar el electrodoméstico.
9. No utilice ningún electrodoméstico si tiene el cable o el enchufe dañado ni luego de un malfuncionamiento del mismo o si se dañó de alguna manera. Devuelva el electrodoméstico al centro de servicio técnico autorizado para que lo controlen, reparen o ajusten.
10. El fabricante no recomienda la utilización de accesorios. Puede ser peligroso y se debe evitar.
11. No la utilice en exteriores.
12. No permita que el cable cuelgue del borde de la mesa o mesada ni que toque superficies calientes. Enrolle el exceso del cable en el compartimiento para guardar el cable.
13. No la coloque sobre ni cerca de quemadores a gas o eléctricos ni en el horno caliente.
14. Siempre enchufe el cable en un tomacorriente de pared antes de encender cualquier control. Para desconectarla APÁGUELA y luego, desenchúfela.
15. Para hacer café, utilice siempre agua fría. El agua caliente u otros líquidos podrían dañar la cafetera. Asegúrese de que siempre haya agua en el depósito de agua antes de encender la máquina.
16. Puede hervir si se levanta o quita la tapa durante el ciclo de elaboración.
17. No utilice este electrodoméstico para ninguna otra función que para la que fue prevista.
18. No coloque la jarra caliente sobre una superficie mojada o fría.
19. No coloque la jarra caliente sobre, ni cerca de un papel, trapo u otro material inflamable.
20. No utilice nunca la jarra sobre la cocina ni en el horno microondas.
21. No permita que el líquido de la jarra se evapore. No caliente la jarra cuando esté vacía.

MEDIDAS DE SEGURIDAD IMPORTANTES

22. No mueva toda la unidad cuando la jarra contenga líquido caliente.
23. Utilice la tapa de la jarra mientras elabora o sirva el café.
24. Deseche la jarra si tiene algún daño o si tiene una manija suelta o floja. Una astilla o una fisura pueden hacer que se rompa o que el líquido se contamine con partículas de vidrio.
25. No limpie la jarra con polvos desengrasantes, esponjas metálicas ni ningún otro material abrasivo.
26. Esta jarra está diseñada para ser utilizada sólo con esta cafetera.
27. **ADVERTENCIA:** Para reducir el riesgo de incendios o descargas eléctricas, no quite la cubierta de la parte inferior. En el interior, no hay piezas que el usuario pueda reparar. Las reparaciones deben ser realizadas sólo por el personal del servicio técnico autorizado. **NOTA:** No la sumerja en ningún líquido.
28. **ADVERTENCIA:** No levante la tapa del depósito de agua durante el funcionamiento, podría producir quemaduras graves. Siempre levante la tapa desde la abertura y cuando la unidad está apagada.
29. No toque las piezas calientes.
30. Guarde estas instrucciones.

Sólo para utilizar en el hogar
**GUARDE ESTAS
INSTRUCCIONES**

INSTRUCCIONES DEL CABLE CORTO

Se proporciona un cable corto para reducir el riesgo de enredarse o tropezarse con un cable más largo. Se encuentran disponibles cables eléctricos desmontables más largos y se los pueden utilizar si se tiene cuidado. Si se utiliza un cable eléctrico desmontable más largo o una extensión eléctrica (1), la clasificación eléctrica marcada de la extensión eléctrica debe tener por lo menos la misma clasificación eléctrica del electrodoméstico y (2) el cable más largo se debe acomodar en la mesada o mesa de manera tal que no cuelgue y pueda ser jalado por los niños o pueda ocasionar un tropiezo involuntario. La clasificación eléctrica del electrodoméstico está detallada en la parte inferior de la unidad. Si el aparato es del tipo de descarga a tierra, la extensión eléctrica debe ser un tipo de cable 3 de descarga a tierra. Este electrodoméstico tiene un enchufe polarizado. Una hoja es más ancha que la otra. Para reducir el riesgo de descargas eléctricas, este enchufe encajará en un enchufe polarizado sólo de una forma. Si el enchufe no encaja, contáctese con un electricista calificado. No intente modificar el enchufe de ninguna manera.

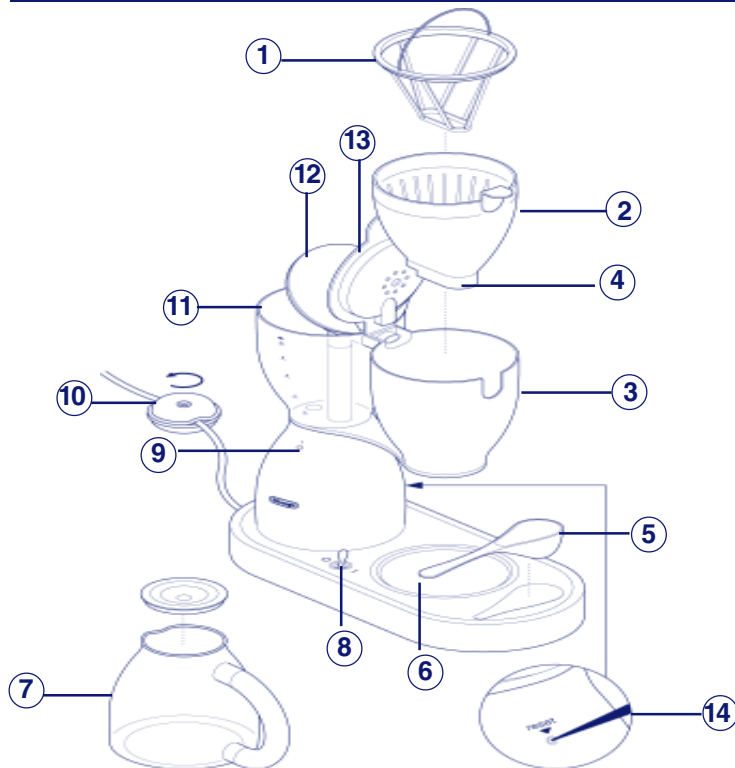
ANTES DE UTILIZAR POR PRIMERA VEZ

Coloque la caja en una superficie grande, fuerte y plana. Desembale su cafetera cuidadosamente y quítele todo el material de embalaje y la documentación. Quite cualquier etiqueta o adhesivos de la cafetera. Para quitar el polvo que pueda haberse acumulado durante el embalaje, puede limpiar la unidad con un trapo limpio y húmedo. Seque completamente. No sumerja la cafetera en agua ni en ningún otro líquido. Limpie la jarra, la tapa de la jarra, la cesta del filtro y el filtro con agua caliente y un detergente suave. Enjuague y seque completamente. No utilice limpiadores fuertes o abrasivos. (Consulte la sección "Limpieza de la cafetera" de este manual para obtener instrucciones detalladas). Mantenga alejadas de los niños todas las bolsas de plástico.

NOTA: *Le recomendamos que antes de preparar su primera jarra de café, haga funcionar la cafetera una o dos veces sólo con agua, sin café molido. Esto eliminará cualquier polvillo que se pueda haber asentado dentro de la cafetera, el cual afectará al sabor del café.*

IMPORTANTE: Utilice sólo agua fría. El sistema antigoteo automático funciona mejor con agua fría.

CONOZCA LA CAFETERA



- | | |
|------------------------------------|--|
| 1. Filtro permanente dorado | 8. Apagado con luz de encendido |
| 2. Cesta del filtro | 9. Luz de advertencia de descalcificación |
| 3. Portafiltros | 10. Compartimiento para guardar el cable |
| 4. Válvula antigoteo | 11. Depósito de agua |
| 5. Cuchara medidora | 12. Tapa del depósito de agua |
| 6. Placa calefactora antiadherente | 13. Tapa del portafiltros |
| 7. Jarra de vidrio y tapa | 14. Botón de reinicio de la descalcificación |

CONOZCA LA CAFETERA

FUNCIONES:

1. **CUERPO DE ALUMINIO PERFECTAMENTE INTEGRADO:** El hermoso diseño perfectamente integrado es elegante y además, duradero.
2. **SISTEMA DE CALENTAMIENTO DUAL EXCLUSIVO:** La primera parte del sistema, el calentador de acero inoxidable, crea un proceso de elaboración de café más rápido. La segunda parte del sistema, un elemento calefactor especial para la placa calefactora, mantiene la temperatura del café caliente óptima.
3. **FILTRO PERMANENTE DORADO:** Especialmente diseñado para evitar que aun la borra más pequeña se cuele en su café. Es más duradero que la mayoría de los filtros.
4. **PORTAFILTROS DESMONTABLE:** Permite un práctico llenado y una fácil limpieza.
5. **PLACA CALEFACTORA ANTIADHERENTE:** Mantiene el café caliente después de finalizada la elaboración y realiza la limpieza.
6. **COMPARTIMIENTO PARA GUARDAR EL CABLE:** Mantiene el cable fuera del paso peligroso cuando no se utiliza la cafetera.
7. **LUZ DE ADVERTENCIA DE DESCALCIFICACIÓN:** Le permite saber cuándo es el momento de limpiar la cafetera.
8. **DETENER Y SERVIR:** Le permite interrumpir el ciclo de elaboración y servir una taza de café antes de que se haya terminado de elaborar el café en toda la jarra. Para reiniciar el proceso de elaboración, vuelva a colocar la jarra en la placa calefactora y el café comenzará automáticamente a filtrarse a través de la cesta del filtro. Asegúrese de que la jarra esté correctamente colocada sobre la placa calefactora antiadherente. **PRECAUCIÓN:** No quite la jarra durante más de 30 segundos o la cesta del filtro rebalsará.
9. **INDICADOR DEL NIVEL DE AGUA:** Los números grandes y fáciles de leer indican cuántas tazas de agua se han vertido en la cafetera.
10. **APAGADO AUTOMÁTICO 2-HOUR:** para un funcionamiento seguro.

EL FUNCIONAMIENTO DE LA CAFETERA

PREPARACIÓN DE LA CAFETERA PARA ELABORAR CAFÉ:

1. Coloque la cafetera en una superficie plana y nivelada, lejos de cualquier borde.
2. Enchufe la unidad sólo en un tomacorriente de 120V/60Hz.
3. La tapa de la jarra debe encajar correctamente durante el proceso de elaboración. La jarra se debe colocar sobre la placa calefactora.
4. **ADVERTENCIA:** *La tapa de la cafetera debe estar completamente cerrada durante el funcionamiento.*

LLENADO DEL DEPÓSITO DE AGUA:

5. Quite la tapa del depósito de agua.
6. Llene el depósito con la cantidad de agua fría deseada. El nivel de agua debe estar entre la marca superior y la inferior. **NOTA:** No llene por sobre el nivel MÁX.
7. Utilice siempre agua fría.

NOTA: La cantidad de café elaborado después de que el proceso de elaboración esté completo siempre será un poco menor que la cantidad de agua colocada en el depósito de agua de la cafetera debido a que la borra del café y el filtro absorben algo de agua. Agregue una pequeña cantidad de agua adicional al comienzo así obtiene la cantidad exacta de tazas que desea.

PREPARACIÓN DEL CAFÉ:

8. Levante la tapa del portafiltros. Asegúrese de que la cesta del filtro y el filtro estén correctamente ubicados dentro del portafiltros. El filtro dorado permanente (incluido) se puede utilizar en lugar de o además de un filtro de papel (no incluido). Si utiliza filtros de papel, inserte un filtro en forma de cono N° 4 en la cesta del filtro antes de llenar con café.
9. Coloque la cantidad deseada de café molido en el filtro utilizando la cuchara medidora provista. Según las normas de la industria cafetera, utilice una medida de café estándar (2 cucharadas al ras) de café molido por cada seis 6 onzas (180 ml) de agua. Luego de utilizar la cafetera varias veces, la cantidad de café se puede ajustar para que se adecue a su gusto en particular disminuyendo o aumentando la cantidad de café utilizado.

NOTA: Asegúrese de utilizar café molido preparado específicamente para utilizar con cafeteras de goteo automático.

10. Cierre la tapa del portafiltros. **ADVERTENCIA:** No haga funcionar su cafetera si la tapa no cierra completamente. Si la tapa no cierra completamente, controle que la cesta del filtro esté colocada correctamente dentro del portafiltros.

EL FUNCIONAMIENTO DE LA CAFETERA

11. Asegure la tapa en la jarra de vidrio hasta que se trabe en su posición. Coloque la jarra sobre la placa calefactora antiadherente. Para la elaboración del café, la tapa debe estar completamente cerrada.
12. Enchufe la unidad en el tomacorriente y ponga el interruptor de ENCENDIDO/APAGADO en la posición de ENCENDIDO. El interruptor de ENCENDIDO/APAGADO se iluminará y la cafetera comenzará el proceso de elaboración.
13. No quite la jarra de vidrio de la placa calefactora hasta que el proceso de elaboración haya finalizado.
14. En unos minutos, la cafetera finalizará el ciclo de elaboración. **NOTA:** Para finalizar el proceso de elaboración en cualquier momento, ponga el interruptor de ENCENDIDO/APAGADO en la posición de APAGADO.
15. **NOTA:** Si le gustaría tomar una taza de café antes de que esté todo el café elaborado, la función Detener y servir le permite interrumpir el proceso de elaboración. El proceso de elaboración no se detiene durante este período, sólo el fluido de café desde la cesta. **No quite la jarra durante más de 30 segundos o el café puede rebalsarse desde el tope de la cesta.** Aunque ofrecemos esta función, no recomendamos que sirva café antes de que el ciclo haya finalizado porque el café que se elaboró al inicio del ciclo tiene un sabor muy diferente del sabor del final del ciclo. El quitar una taza durante el ciclo de elaboración alterará el sabor del café de la jarra una vez terminado el ciclo.
16. El elemento de calentamiento individual para la placa calefactora antiadherente asegura que el café se mantenga en la temperatura correcta luego de que la elaboración esté completa.
17. Para servir café luego de finalizada la elaboración, quite la jarra de la placa calefactora antiadherente. Una vez que se haya servido la cantidad de café deseada, vuelva a colocar la jarra en la placa calefactora antiadherente.
18. La placa calefactora antiadherente mantendrá el café caliente pero cuanto más rápido lo beba, mejor será el sabor. La cafetera mantendrá el café caliente y luego, se apagará automáticamente después de 2 horas.
19. Presione el interruptor de ENCENDIDO/APAGADO para APAGAR la unidad cuando la jarra está vacía o cuando no se utilice la cafetera. Luego de que el ciclo de elaboración haya finalizado, deseche la borra y enjuague completamente el filtro dorado permanente y la cesta del filtro con agua. (Consulte la sección "Limpieza de la cafetera" de este manual para obtener más detalles).
20. **NOTA:** Si no utilizó la cafetera durante un tiempo, haga funcionar un ciclo sólo con agua (sin café) para limpiarla. Llene el depósito de agua hasta la taza superior cuando realice este procedimiento. **ADVERTENCIA:** No coloque nunca la jarra en el microondas.

EL FUNCIONAMIENTO DE LA CAFETERA

CONSEJOS PARA UN CAFÉ CON UN SABOR EXCELENTE

1. Una cafetera limpia es fundamental para hacer un café con un sabor excelente. Se recomienda una limpieza habitual, tal como se especifica en la sección "Limpieza de la cafetera" de esta manual.
2. Utilice siempre agua dulce y fría para su cafetera.
3. El café finamente molido realza una extracción más completa y brinda un café rico y con todo el sabor. Una molienda regular necesitará un poco más de café molido por taza para brindarle la fuerza de una molienda más fina.
4. Almacene el café molido en un lugar fresco y seco. Una vez abierto el café, manténgalo herméticamente cerrado en la heladera para mantener su frescura.
5. Para un café óptimo, compre granos enteros y muéloslos justo antes de elaborar el café.
6. No vuelva a utilizar la borra porque esto disminuirá el sabor del café.
7. No se recomienda volver a calentar el café. El café tiene su mejor sabor inmediatamente después de la elaboración.
8. Las pequeñas gotas de aceite en la superficie del café negro elaborado se deben al aceite extraído de la borra del café. La oleaginosidad puede darse más frecuentemente si se utiliza café muy tostado. La extracción en exceso de café también puede causar oleaginosidad, la cual indicará que la cafetera necesita ser limpiada.

DESCALCIFICACIÓN

Los depósitos de calcio se pueden acumular en la cafetera como resultado de los minerales comúnmente encontrados en el agua potable. La acumulación es normal y puede resultar en una disminución de velocidad del tiempo de elaboración de la cafetera. La disminución de velocidad se puede eliminar si se descalcifica periódicamente la cafetera.

INDICADOR DE DESCALCIFICACIÓN

1. Después de 90 ciclos de elaboración aproximadamente, la cafetera indicará automáticamente cuándo es necesario limpiarla.
2. La luz de advertencia de descalcificación destellará para indicar que la cafetera necesita ser descalcificada.

CÓMO DESCALCIFICAR SU CAFETERA

3. Para descalcificar, llene la jarra con agua fría y dos cucharadas de vinagre blanco.
4. Vierta la solución en el depósito de agua y luego, cierre la tapa. Coloque la jarra en la placa calefactora y deje que la cafetera elabore la solución con vinagre.
5. Mientras está descalcificando, no utilice un filtro en la cesta del filtro. Cuando la solución de vinagre finalizó la elaboración, vacíe la jarra y enjuáguela con agua fría.
6. Vuelva a llenar el depósito de agua sólo con agua fría y haga funcionar otro ciclo de elaboración para quitar cualquier resto de la solución de vinagre. Repita si es necesario.
7. Para reiniciar la máquina luego de que la descalcificación esté completa, presione el botón de reinicio ubicado en la parte trasera de la máquina.

LIMPIEZA DE LA CAFETERA

1. **ADVERTENCIA:** Asegúrese de que la cafetera esté desenchufada antes de intentar limpiarla. Para evitar descargas eléctricas, no sumerja el cable, el enchufe ni la cafetera en agua ni en ningún otro líquido.
2. La parte exterior de su cafetera se puede limpiar con un trapo húmedo y suave. **ADVERTENCIA:** No sumerja nunca la cafetera en agua ni en ningún otro líquido.
3. Limpie la parte interior de la cafetera con un trapo húmedo y un detergente suave. No utilice abrasivos fuertes ni esponjas metálicas o plásticas para la jarra, rallarán la superficie.
4. La tapa de la jarra y la cesta del filtro desmontable se pueden lavar con agua tibia con jabón. Enjuague y seque completamente. No coloque ninguna pieza de la cafetera en el lavaplatos.
5. Para limpiar el filtro dorado permanente, quite la borra y enjuague completamente.
6. No limpie la parte interior del depósito de agua con un trapo porque puede tener restos de pelusas que pueden trancar la cafetera.
7. Para las manchas rebeldes, utilice una esponja de nylon o de plástico con un limpiador no abrasivo (sólo dentro de la cafetera). No utilice esponjas metálicas ni limpiadores abrasivos.

GARANTÍA LIMITADA

De'Longhi es la distribuidora de los electrodomésticos Kenwood. Esta garantía se aplica a todos los electrodomésticos con las marcas registradas de De'Longhi o Kenwood.

Cafetera Automática / Modelo DCM900

Garantizamos todo producto DE'LONGHI por defectos de fabricación, material y mano de obra. Nuestra obligación dentro de ésta garantía es proporcionar gratuitamente las refacciones y el servicio durante un año a partir de la fecha de compra. Esta garantía se aplicará únicamente si el producto se utiliza de acuerdo con las instrucciones anexas del fabricante y con un circuito de corriente alterna (ca). Esta garantía reemplaza a cualquier otra garantía y acuerdo, expreso o implícito y a todas las demás obligaciones o responsabilidades de nuestra parte. No autorizamos a ninguna otra persona o compañía a asumir nuestras responsabilidades relacionadas con la venta y el uso de nuestro producto. Esta garantía no implica ninguna responsabilidad de parte nuestra en relación con la venta o el uso de nuestro producto.

Esta garantía no se hará válida en los siguientes casos:

- § Cuando el producto se hubiese utilizado en condiciones distintas a las normales
- § Cuando el producto no hubiese sido operado de acuerdo con el instructivo de uso que se le acompaña
- § Cuando el producto hubiese sido alterado o reparado por personas no autorizadas por el fabricante nacional, importador o comercializador responsable respectivo.

Para hacer efectiva la garantía o si se necesitan reparaciones o refacciones, componentes, combustibles y accesorios llame, con su garantía sellada por el establecimiento, al Centro Nacional de Servicio para proporcionarle una cuenta de mensajería con la cual deberá remitir el producto y garantía. Los gastos que se deriven del cumplimiento de la presente garantía deberán ser absorbidos por el Centro Nacional de Servicio De'Longhi.

Obtención de servicios de garantía

Si las reparaciones son necesarias, vea la información de contacto que aparece a continuación:

Residentes de los Estados Unidos:

Por favor contactar a nuestra línea telefónica gratuita, al 1-800-322-3848 o ingrese a nuestro sitio en el Internet www.delonghi.com. Para todos los accesorios, piezas de repuesto o de reemplazo, por favor contactar a nuestra división de piezas, al 1-800-865-6330.

Residentes de Canadá: Por favor contactar a nuestra línea telefónica gratuita, al 1-888-335-6644 o ingrese a nuestro sitio en el Internet www.delonghi.com <<http://www.delonghi.com>>.

Residentes de México: Por favor contactar a nuestra línea telefónica gratuita, al 01-800-711-88-05 (lada sin costo) / 56-62-53-68 y 69 (D.F.) o ingrese a nuestro sitio en el Internet www.delonghi.com <<http://www.delonghi.com>>.

FECHA DE COMPRA

GARANTÍA LIMITADA

De'Longhi è inoltre il distributore di piccoli elettrodomestici a marchio Kenwood. Questa garanzia è applicabile a tutti i piccoli elettrodomestici a marchio Kenwood o De'Longhi.

Copertura della garanzia

De'Longhi garantisce che ciascun prodotto è esente da difetti di materiale e di fabbricazione. La presente garanzia è limitata alla riparazione delle parti difettose o delle loro componenti presso la nostra fabbrica o presso un centro di assistenza autorizzato, ad eccezione delle parti danneggiate durante la spedizione. Nel caso di sostituzione o restituzione di un prodotto, l'unità deve essere restituita con trasporto prepagato. Il modello riparato o nuovo verrà restituito a spese dell'azienda. La presente garanzia ha validità solamente nel caso in cui il prodotto venga utilizzato in conformità con le istruzioni di fabbrica con cui viene venduto, e su un circuito a corrente alternata (c.a.).

Durata della garanzia

La presente garanzia ha validità di un anno (1) dalla data di acquisto riportata sulla prova d'acquisto ed è riconosciuta esclusivamente all'acquirente originale per l'uso.

Limitazioni della garanzia

La garanzia non copre difetti o danni del prodotto dovuti a riparazioni o alterazioni eseguite al di fuori della fabbrica o dai centri di assistenza autorizzati, né si applica a prodotti danneggiati da abuso, uso improprio, negligenza o incidente. Inoltre, i danni consequenziali ed incidentali derivanti dall'uso di questo prodotto o da una qualsiasi violazione del contratto o di questa garanzia non sono coperti da quest'ultima. Alcune giurisdizioni non consentono l'esclusione o la limitazione di danni incidentali o consequenziali; in tal caso, le limitazioni o esclusioni di cui sopra non saranno applicabili.

Come ottenere servizi di assistenza Nel caso occorra fare delle riparazioni, rivolgersi al servizio informazioni.

Residenti negli USA: Contattare il servizio di assistenza telefonica gratuito al numero 1-800-322-3848 oppure collegarsi all'indirizzo internet www.delonghi.com. Per tutti gli accessori, i componenti o i pezzi di ricambio, contattare il reparto componenti al numero 1-800-865-6330.

Residenti in Canada: Contattare il servizio di assistenza telefonica gratuito al numero 1-888-335-6644 oppure collegarsi all'indirizzo internet www.delonghi.com.

Residenti in Messico: Riferirsi alle condizioni di garanzia limitata riportate nella sezione per il Messico.

Per gli indirizzi di De'Longhi si prega di vedere la pagina posteriore del manuale.

La garanzia sopra riportata è esclusiva e sostituisce qualsiasi altra garanzia, espressa o implicita. Eventuali garanzie implicite previste dalle leggi vigenti saranno soggette ai limiti di durata stabiliti dalla garanzia. Il limite non si applica nel caso di un'estensione della garanzia con De'Longhi. Alcune giurisdizioni non consentono l'esclusione o la limitazione della durata delle garanzie implicite; in tal caso, le limitazioni di cui sopra non saranno applicabili. De'Longhi non autorizza alcuna persona o società ad assumersi qualsivoglia responsabilità relativamente alla vendita o all'uso dei propri prodotti.

Applicazione delle leggi dei singoli stati La presente garanzia concede diritti legali specifici oltre a quelli eventualmente previsti dalla legislazione vigente nei vari stati.

INFORMACIÓN IMPORTANTE

SERVICIO DE ATENCIÓN AL CLIENTE

Visite www.delonghi.com o llame al:

Residentes en EE.UU.: 1-800-865-6330 (8:30 – 5:00 Hora estándar del este)

De lunes a viernes

Residentes en Canadá: 1-888-335-6644 (8:30 – 4:30)

De lunes a viernes

COMPRA DE REPUESTOS Y ACCESORIOS

Visite www.delonghi.com o llame al:

Residentes en EE.UU.: 1-800-865-6330 (8:30 – 5:00 Hora estándar del este)

De lunes a viernes

Residentes en Canadá: 1-888-335-6644 (8:30 – 4:30)

De lunes a viernes o complete el formulario provisto.

INFORMACIÓN CORPORATIVA

De'Longhi America, Inc.
Park 80 West, Plaza One
Saddle Brook, NJ 07663
1-800-322-3848

De'Longhi Canada, Inc.
6150 McLaughlin Court
Mississauga, Ontario
L5R 4E1 Canada
1-888-335-6644

Centro Nacional de Servicio:
Fiducia Italiana S.A. de C.V.
Hortencia 129 Col. Florida
México D.F., C.P. 01030
01-800-711-88-05 (lada sin costo)
56-62-53-68 y 69 (D.F.)

De'Longhi S.p.A.
Via L. Seitz 47
Treviso, Italy 31100

www.delonghi.com

INFORMACIÓN TÉCNICA

Fabricado en la RPC

Alimentación eléctrica: 120 Voltios / 60 Hz

Consumo de energía: 1500 Vatios

-30-

INTRODUCTION

Merci d'avoir choisi De'Longhi!

Un engagement inébranlable envers la qualité et l'innovation a fait de De'Longhi un chef de fil dans le monde entier dans le domaine des appareils ménagers depuis plus de cent ans. Notre héritage italien est reflété dans chaque produit, chaque fonction et chaque concept. Et nous nous engageons à créer des produits qui améliorent les vies de nos clients. Nous espérons que vous profiterez bien de votre appareil De'Longhi pendant des années à venir!

Maintenant que vous nous avez découverts, nous pensons que vous serez d'accord pour dire que chacun des produits De'Longhi est véritablement une « innovation fonctionnelle ».

Apprenez à mieux nous connaître... rendez-nous visite à www.delonghi.com pour y voir notre gamme complète de produits.



Living innovation

TABLE DES MATIÈRES

Enregistrement du produit	<i>Page de couverture</i>
Centres de service	<i>Page de couverture</i>
Précautions importantes	33
Instructions pour le cordon électrique court	35
Avant la première utilisation	35
Votre cafetière	36
Utilisation de votre cafetière	38
Décalcification	41
Nettoyage de votre cafetière	42
Garantie limitée	43
Service à la clientèle	44
Achat de pièces détachées et d'accessoires	44
Coordonnées de la société	44
Données techniques	44

PRÉCAUTIONS IMPORTANTES

Pour réduire les risques d'incendie, d'électrocution et/ou de blessures lorsque vous utilisez des appareils électriques, respectez toujours des précautions élémentaires.

1. Lisez soigneusement toutes les instructions.
2. Faites attention au dégagement de vapeur et ne soulevez jamais le couvercle du porte-filtre pendant le cycle de préparation.
3. Soulevez toujours le couvercle du porte-filtre en utilisant la languette d'ouverture.
4. Ne touchez pas les surfaces chaudes. Utilisez la poignée de la verseuse.
5. Ne touchez jamais la plaque chauffante.
6. Pour vous protéger des risques d'électrocution, ne plongez pas le cordon, la fiche ou la cafetière dans l'eau ou dans un autre liquide.
7. Une surveillance attentive est nécessaire lorsqu'un appareil est utilisé en présence d'enfants.
8. Éteignez et débranchez l'appareil de la prise électrique avant de le remplir d'eau, lorsqu'il n'est pas utilisé ou avant de le nettoyer. Laissez-le refroidir avant d'y replacer ou d'en retirer des pièces et avant de le nettoyer.
9. N'utilisez aucun appareil dont la fiche ou le cordon électrique est abîmé, dont le fonctionnement est anormal ou qui a été endommagé d'une manière quelconque. Retournez l'appareil à un centre de réparation agréé pour le faire examiner, réparer ou régler.
10. L'utilisation d'accessoires n'est pas recommandée par le fabricant. Cela pourrait être dangereux et devrait être évité.
11. Ne l'utilisez pas à l'extérieur.
12. Ne laissez pas le cordon électrique pendre sur le côté d'une table ou d'un comptoir et ne le laissez pas toucher des surfaces chaudes. Rembobinez l'excès de cordon dans le compartiment de rangement.
13. Ne la placez pas à proximité d'un brûleur électrique ou à gaz chaud ou dans un four chaud.
14. Branchez toujours le cordon électrique à une prise murale avant d'utiliser une des commandes. Pour le débrancher, ÉTEIGNEZ la bouilloire, puis retirez la fiche de la prise murale.
15. Utilisez toujours de l'eau froide pour préparer du café. L'eau chaude ou d'autres liquides pourraient endommager la cafetière. Vérifiez toujours qu'il y a de l'eau dans le réservoir avant d'allumer l'appareil.
16. Vous risquez de vous ébouillanter si le couvercle est soulevé ou retiré pendant le cycle de préparation.
17. N'utilisez pas cet appareil à des fins autres que celles prévues.
18. Ne placez pas la verseuse chaude sur une surface mouillée ou froide.
19. Ne placez pas la verseuse chaude à proximité ou sur du papier, du tissu ou d'autres matériaux combustibles.
20. N'utilisez jamais la bouilloire sur une cuisinière ou dans un four à micro-ondes.

PRÉCAUTIONS IMPORTANTES

21. Ne permettez pas au liquide dans la verseuse de s'évaporer complètement. Ne faites pas chauffer la verseuse lorsqu'elle est vide.
22. Ne déplacez pas l'appareil entier lorsque la verseuse contient un liquide chaud.
23. Laissez le couvercle sur la verseuse lorsque vous préparez le café et lorsque vous le versez.
24. Jetez la verseuse si elle est endommagée ou si sa poignée est lâche ou abîmée. Une verseuse ébréchée ou fissurée pourrait se casser ou contaminer le contenu liquide avec des morceaux de verre.
25. Ne nettoyez pas la verseuse avec des poudres à récurer, des tampons en laine d'acier ou d'autres matériaux abrasifs.
26. La verseuse est conçue pour être utilisée uniquement avec cette cafetière.
27. **MISE EN GARDE** : Pour réduire les risques d'incendie ou d'électrocution, ne retirez pas le couvercle de la base. Il n'y a aucune pièce réparable par l'utilisateur à l'intérieur. Les réparations devraient être effectuées uniquement par un personnel agréé. **REMARQUE** : Ne la plongez pas dans un liquide.
28. **MISE EN GARDE** : Ne soulevez pas le couvercle du réservoir d'eau pendant l'utilisation, vous pourriez vous brûler gravement. Soulevez toujours le couvercle en utilisant la languette d'ouverture et quand l'appareil est éteint.
29. Ne touchez pas les pièces chaudes.
30. Conservez ces instructions.

Réservez à l'usage ménager uniquement
**CONSERVEZ CES
INSTRUCTIONS**

INSTRUCTIONS POUR LE CORDON ÉLECTRIQUE COURT

Le cordon électrique est court pour réduire les risques d'entortillement et de trébuchement associés à un cordon électrique plus long. Des cordons électriques plus longs sont offerts à la vente et peuvent être utilisés s'ils le sont avec précaution. En cas d'utilisation d'un cordon électrique plus long ou d'un prolongateur, (1) le régime électrique du prolongateur devrait être au moins aussi grand que celui de l'appareil et (2) le cordon plus long devrait être disposé afin qu'il ne pende pas du comptoir ou de la table là où il pourrait être tiré par des enfants ou faire trébucher quelqu'un par accident. Le régime électrique de la cafetière est inscrit sur le panneau inférieur de l'appareil. Si l'appareil est équipé d'un système de mise à la masse, le prolongateur devrait être un cordon à trois fiches de mise à la masse. Cet appareil possède une fiche polarisée. Une branche est plus large que l'autre. Pour réduire les risques d'électrocution, cette fiche ne peut être insérée que d'une seule façon dans une prise polarisée. Si elle ne s'insère pas complètement dans un sens ou dans l'autre, contactez un électricien qualifié. N'essayez en aucun cas d'en modifier les branches.

AVANT LA PREMIÈRE UTILISATION

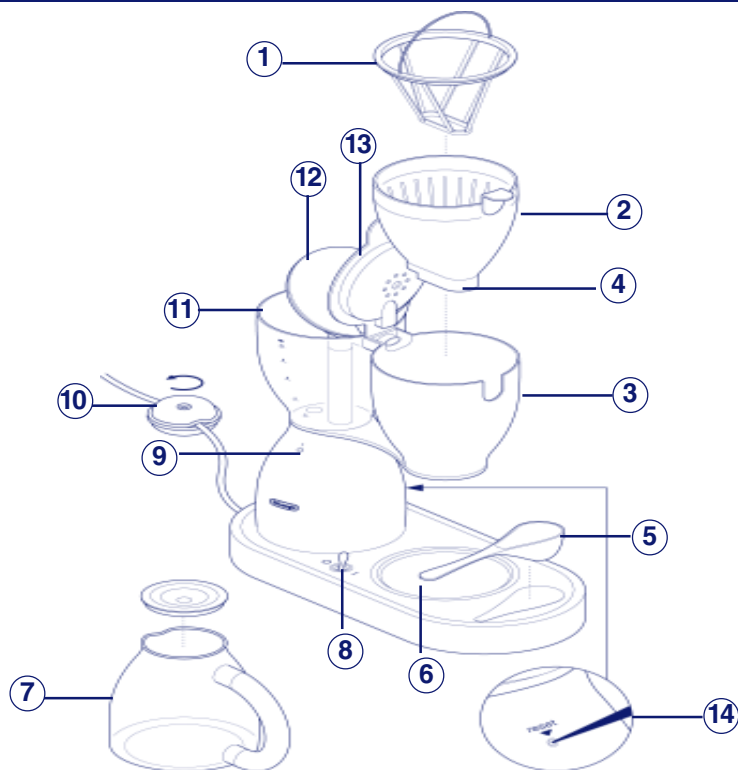
Placez la boîte sur une grande surface plate et solide. Déballez soigneusement votre cafetière et retirez-en tous les matériaux d'emballage et documents. Retirez toutes les étiquettes ou autocollants de la cafetière. Pour retirer la poussière qui aurait pu s'accumuler pendant l'emballage, vous pouvez essuyer l'appareil avec un chiffon propre et humide. Séchez-le bien. Ne plongez pas la cafetière dans l'eau ou dans un autre liquide.

Nettoyez la verseuse, son couvercle, le panier à filtre et le filtre à l'eau chaude avec un détergent doux. Rincez et séchez bien. N'utilisez pas de produits de nettoyage rêches ou abrasifs. (Consultez la section « Nettoyage de votre cafetière » de ce manuel pour plus de renseignements.) Gardez tous les sacs en plastique hors de portée des enfants.

REMARQUE : Avant de préparer votre première tasse de café, nous vous recommandons de faire fonctionner une ou deux fois votre cafetière en utilisant uniquement de l'eau, sans café moulu. Cela éliminera toute la poussière qui aurait pu s'accumuler dans la cafetière.

IMPORTANT : Utilisez uniquement de l'eau froide. Le système automatique de préparation goutte-à-goutte fonctionne mieux avec de l'eau froide.

VOTRE CAFETIÈRE



- | | |
|-----------------------------------|--|
| 1. Filtre doré permanent | 8. Arrêt avec voyant de mise sous tension |
| 2. Panier à filtre | 9. Témoin lumineux de décalcification |
| 3. Porte-filtre | 10. Rangement du cordon |
| 4. Valve antigouttes | 11. Réservoir d'eau |
| 5. Cuiller graduée | 12. Couvercle du réservoir d'eau |
| 6. Plaque chauffante antiadhésive | 13. Couvercle du porte-filtre |
| 7. Verseuse en verre et couvercle | 14. Bouton de réinitialisation de la décalcification |

VOTRE CAFETIÈRE

CARACTÉRISTIQUES :

1. **BOÎTIER EN ALUMINIUM SANS JOINT :** La forme magnifique sans joint est élégante et durable.
2. **SYSTÈME EXCLUSIF À DOUBLE CHAUFFAGE:** La première partie du système, la bouilloire en acier inoxydable, crée un processus de préparation plus rapide. La seconde partie du système, un élément chauffant réservé exclusivement à la plaque chauffante, maintient la température optimale pour le café.
3. **FILTRE DORÉ PERMANENT :** Spécialement conçu pour empêcher les moutures les plus fines de finir au fond de votre tasse. Et, comme il est plus durable que la plupart des autres filtres, il dure plus longtemps.
4. **PORTE-FILTRE AMOVIBLE :** Simplifie et facilite le remplissage et le nettoyage.
5. **PLAQUE CHAUFFANTE ANTIADHÉSIVE :** Maintient la température du café une fois la préparation terminée et facilite le nettoyage.
6. **RANGEMENT DU CORDON :** Protège le cordon lorsque la cafetière n'est pas utilisée.
7. **TÉMOIN LUMINEUX DE DÉCALCIFICATION :** Vous indique quand il est temps de nettoyer la cafetière.
8. **PAUSE ET SERVIR (PAUSE 'N SERVE) :** Cette fonction vous permet d'interrompre le cycle de préparation et de vous verser une tasse de café avant que la verseuse soit remplie. Pour poursuivre le cycle de préparation, replacez la verseuse sur la plaque chauffante et le café commencera automatiquement à couler au travers du panier à filtre. Veillez à placer la verseuse complètement sur la plaque chauffante antiadhésive. **ATTENTION :** Si vous retirez la verseuse de la plaque de la verseuse pendant plus de 30 secondes, le panier à filtre pourrait déborder.
9. **INDICATEUR DE NIVEAU D'EAU :** Des gros chiffres faciles à lire indiquent combien de tasses d'eau ont été versées dans la cafetière.
9. **ARRÊT AUTOMATIQUE APRÈS DEUX HEURES:** pour une utilisation sans risques.

UTILISATION DE VOTRE CAFETIÈRE

PRÉPARATION DE LA CAFETIÈRE POUR SON UTILISATION :

1. Placez la cafetière sur une surface horizontale loin de tout rebord.
2. Branchez l'appareil à une prise de courant de 120 V/60 Hz uniquement.
3. Le couvercle de la verseuse doit être correctement placé sur la verseuse pendant la préparation du café et la verseuse doit reposer sur la plaque chauffante.
4. **MISE EN GARDE** : *Le couvercle de la cafetière doit être bien fermé pendant l'utilisation.*

REPLISSAGE DU RÉSERVOIR D'EAU :

5. Retirez le couvercle du réservoir d'eau.
6. Remplissez le réservoir de la quantité désirée d'eau froide. Le niveau d'eau doit être entre le repère supérieur et inférieur de tasse. **REMARQUE** : Ne le remplissez pas au-dessus du niveau MAX.
7. Utilisez toujours de l'eau froide.

REMARQUE : La quantité de café préparé en fin de cycle sera toujours légèrement inférieure à la quantité d'eau placée dans le réservoir de la cafetière, car la mouture et le filtre absorbent un peu d'eau. Ajoutez un petit d'eau supplémentaire au début afin d'obtenir le nombre exact désiré de tasses.

PRÉPARATION DU CAFÉ :

8. Soulevez le couvercle du porte-filtre. Vérifiez que le panier à filtre et le filtre sont correctement placés dans le porte-filtre. Le filtre doré permanent (fourni) peut être utilisé à la place d'un filtre en papier ou avec un filtre en papier (non inclus). Avec un filtre en papier, placez un cornet-filtre n° 4 dans le panier à filtre avant de le remplir de café moulu.
9. Placez la quantité désirée de café moulu dans le filtre en utilisant la cuiller graduée fournie. Selon les normes de l'industrie du café, utilisez une mesure nominale (2 cuillerées à soupe rases) de café moulu pour six onces d'eau. Après avoir utilisé plusieurs fois votre cafetière, vous pouvez ajuster la quantité de café moulu selon votre goût particulier.

REMARQUE : Veillez à d'utiliser un café moulu préparé spécialement pour les cafetières automatiques goutte-à-goutte.

10. Fermez le couvercle du porte-filtre. **MISE EN GARDE** : Ne faites pas fonctionner votre cafetière si le couvercle ne se ferme pas complètement. Si le couvercle ne se ferme pas bien, vérifiez-le pour voir vérifiez-le pour voir que le panier à filtre est bien installé et réinstallez-le si nécessaire.

UTILISATION DE VOTRE CAFETIÈRE

11. Fermez le couvercle de la verseuse en verre jusqu'à ce qu'il soit verrouillé en position. Placez la verseuse sur la plaque chauffante antiadhésive. Pendant la préparation, le couvercle devrait être complètement fermé.
12. Branchez l'appareil à une prise de courant et placez le bouton ON/OFF en position ON. Le bouton ON/OFF s'allumera et la cafetière commencera la préparation du café.
13. Ne retirez pas la verseuse de la plaque chauffante avant que la préparation du café ne soit terminée.
14. En quelques minutes, la cafetière aura terminé la préparation du café.
REMARQUE : Pour mettre fin à la préparation du café, placez le bouton ON/OFF en position OFF.
15. **REMARQUE** : Si vous voulez une tasse de café avant que la verseuse ne soit pleine, la fonction Pause et servir vous permet de suspendre le processus de préparation. La préparation ne s'interrompt pas pendant cette période, seul l'écoulement du café est interrompu. **Ne retirez pas la verseuse pendant plus de trente (30) secondes ou le café pourrait déborder du panier.** Bien que nous offrions cette fonction, nous ne vous recommandons pas de vous verser une tasse de café avant la fin de la préparation complète, car le café préparé au début du cycle a un arôme différent de celui préparé vers la fin du cycle. Le retrait d'une tasse de café pendant la préparation modifiera le goût final du café dans la verseuse.
16. L'élément chauffant indépendant pour la plaque chauffante antiadhésive garantit le maintien de la bonne température du café après la préparation du café.
17. Pour vous verser une tasse de café après la préparation, retirez la verseuse de la plaque chauffante. Une fois que vous vous êtes versé la quantité désirée de café, replacez la verseuse sur la plaque chauffante antiadhésive.
18. La plaque chauffante antiadhésive maintiendra la température du café, mais il sera meilleur s'il est bu rapidement. La cafetière maintiendra la température du café pendant deux (2) heures puis s'éteindra automatiquement.
19. Placez le bouton ON/OFF en position OFF pour éteindre l'appareil lorsque la verseuse est vide ou lorsque la cafetière n'est pas utilisée. Une fois le cycle de préparation terminé, jetez la mouture et rincez bien à l'eau le filtre doré permanent et le panier à filtre. (Consultez la section « Nettoyage de votre cafetière » dans ce manuel pour plus de renseignements.)
20. **REMARQUE** : Si vous n'avez pas utilisé la cafetière depuis longtemps, faites-la fonctionner avec de l'eau uniquement (sans café) pour bien la nettoyer. Remplissez le réservoir d'eau jusqu'à la tasse supérieure lorsque vous effectuez cette procédure. **MISE EN GARDE** : Ne placez jamais la verseuse dans un four à micro-ondes.

UTILISATION DE VOTRE CAFETIÈRE

CONSEILS POUR UN BON CAFÉ

1. La propreté de la cafetière est essentielle au goût du café. Un nettoyage régulier, comme le décrit « Nettoyage de votre cafetière », est fortement recommandé.
2. Utilisez toujours de l'eau douce froide dans votre cafetière.
3. Un café à mouture fine permet une extraction plus poussée et donne un café riche en goût. Une mouture ordinaire exigera légèrement plus de café moulu par tasse pour donner la force d'une mouture plus fine.
4. Rangez le café moulu dans un endroit sec et frais. Une fois ouvert, conservez le café dans un récipient fermé et étanche au réfrigérateur pour en préserver la fraîcheur.
5. Pour un café optimal, achetez des grains de café et moulez-les juste avant de préparer le café.
6. Ne réutilisez le café moulu car cela nuira considérablement au goût du café.
7. Il n'est pas recommandé de réchauffer le café. Le goût du café est meilleur immédiatement après sa préparation.
8. De petites gouttes d'huile sur la surface du café noir sont dues à l'extraction de l'huile des grains de café. Les cafés plus fortement torréfiés peuvent produire plus d'huile. Une extraction excessive peut également donner de l'huile, indiquant alors le besoin de nettoyer votre cafetière.

DÉCALCIFICATION

Des dépôts de calcium peuvent s'accumuler dans la cafetière en raison des minéraux généralement présents dans l'eau potable. L'accumulation est normale et la préparation du café peut en être ralenti. Ce problème peut être corrigé en décalcifiant régulièrement la cafetière.

INDICATEUR DE DÉCALCIFICATION

1. Après quatre-vingt-dix (90) cycles de préparation environ, la cafetière vous indiquera automatiquement qu'elle doit être nettoyée.
2. Le témoin lumineux de décalcification clignotera pour indiquer qu'il faut la décalcifier.

COMMENT DÉCALCIFIER VOTRE CAFETIÈRE

3. Pour la décalcifier, remplissez la cafetière d'eau froide et de deux cuillères à soupe de vinaigre blanc.
4. Versez la solution dans le réservoir d'eau, puis fermez le couvercle. Placez la verseuse sur la plaque chauffante et faites fonctionner la cafetière avec la solution vinaigrée.
5. Pendant la décalcification, n'utilisez pas de filtre dans le panier à filtre. Lorsque toute la solution vinaigrée a passé, videz la verseuse et rincez-la à l'eau froide.
6. Remplissez de nouveau le réservoir d'eau froide uniquement et faites fonctionner de nouveau la cafetière pour éliminer toute trace de la solution vinaigrée dans la cafetière. Répétez la dernière procédure si nécessaire.
7. Pour réinitialiser l'appareil après la décalcification, appuyez sur le bouton de réinitialisation situé au dos de l'appareil.

NETTOYAGE DE VOTRE CAFETIÈRE

1. **MISE EN GARDE** : Veillez toujours à ce que la cafetière soit débranchée avant d'essayer de la nettoyer. Pour vous protéger des électrocutions, ne plongez pas le cordon, la fiche ou la cafetière dans l'eau ou dans un autre liquide.
2. L'extérieur de votre cafetière peut être nettoyé en essuyant la surface avec un chiffon doux et humide. **MISE EN GARDE** : Ne plongez jamais la cafetière dans l'eau ou dans un autre liquide.
3. Nettoyez l'intérieur de la verseuse avec un chiffon mouillé et un détergent doux. N'utilisez pas de produits abrasifs ni de tampons à récurer sur la verseuse. Cela rayera la surface.
4. Le couvercle de la verseuse et le panier à filtre amovible peuvent être lavés à l'eau tiède et savonneuse. Rincez-les et séchez-les bien. Ne placez aucune autre pièce de la cafetière dans le lave-vaisselle.
5. Pour laver le filtre doré permanent, videz-en le café moulu et rincez-le bien.
6. Ne nettoyez pas l'intérieur du réservoir d'eau avec un chiffon car le chiffon peut avoir des peluches qui pourraient boucher la cafetière.
7. Pour les tâches coriaces, utilisez un tampon en nylon ou en plastique avec un produit de nettoyage non abrasif (à l'intérieur de la cafetière uniquement). N'utilisez pas de tampons métalliques ni de produits de nettoyage abrasifs.

GARANTIE LIMITÉE

De'Longhi est le distributeur d'appareils ménagers Kenwood.

Cette garantie s'applique à tous les appareils ménagers de marques De'Longhi ou Kenwood.

Qu'est-ce qui est couvert par la garantie?

Nous garantissons que chaque appareil est exempt de vices de matériaux et de fabrication. Notre obligation, dans le cadre de cette garantie, est limitée à la réparation, à notre usine ou dans un centre de réparation agréé, de toutes les pièces défectueuses ou leurs composants. En cas de remplacement ou retour d'un produit, il doit être retourné tout port payé. Le modèle neuf ou réparé sera retourné aux frais de la société. Cette garantie ne s'applique que dans les cas où l'appareil est utilisé conformément aux instructions de l'usine qui l'accompagnent et sur un circuit électrique à courant alternatif (c.a.).

Combien de temps dure la garantie?

Cette garantie dure une (1) année à partir de la date d'achat indiquée sur votre reçu et s'applique uniquement à l'acheteur initial pour l'utilisation.

Qu'est ce qui n'est pas couvert par cette garantie?

Cette garantie ne couvre ni les défauts ou dégâts résultant de réparations ou altérations apportées à l'appareil en dehors de notre usine ou des centres de réparation agréés ni les appareils qui ont été soumis à un mauvais traitement, une mauvaise utilisation, une négligence ou des accidents. En outre, les dommages-intérêts directs ou indirects résultant de l'utilisation de ce produit ou de la rupture d'un contrat ou du non-respect de cette garantie ne sont pas recouvrables dans le cadre de cette garantie. Certains états ou provinces n'autorisent pas l'exclusion ou la limitation des dommages-intérêts directs ou indirects. Par conséquent, la limitation ci-dessus peut ne pas s'appliquer à vous.

Comment faire réparer l'appareil?

Si des réparations s'avèrent nécessaires, consultez les informations ci-dessous :

Résidents des États-Unis : Veuillez appeler notre ligne d'assistance sans frais au 1-800-322-3848 ou connectez-vous à notre site Web à www.delonghi.com. Pour tous les accessoires, les pièces détachées et les pièces de rechange, veuillez contacter notre service des pièces détachées au 1-800-865-6330.

Résidents du Canada : Veuillez appeler notre ligne d'assistance sans frais au 1-888-335-6644 ou connectez-vous à notre site Web à www.delonghi.com.

Résidents du Mexique : Veuillez consulter la déclaration de garantie limitée pour le Mexique.

Veuillez consulter le dos du manuel pour connaître les adresses de De'Longhi.

La garantie ci-dessus remplace toutes les autres garanties et représentations explicites. Toutes les garanties implicites sont limitées à la période de garantie applicable établie ci-dessus. Cette limitation ne s'applique pas si vous concluez un contrat d'extension de garantie avec De'Longhi. Certains états ou provinces n'autorisent pas les limitations sur la durée des garanties implicites. Par conséquent, les exclusions ci-dessus peuvent ne pas s'appliquer à vous. De'Longhi n'autorise aucune personne ni société à assumer des responsabilités en association avec la vente ou l'utilisation de ses appareils.

Comment s'appliquent les lois de l'état ou de la province?

Cette garantie vous donne des droits juridiques précis et vous pouvez également avoir d'autres droits qui peuvent varier d'un état à un autre ou d'une province à une autre.

RENSEIGNEMENTS IMPORTANTS

SERVICE À LA CLIENTÈLE

Visitez le site www.delonghi.com ou appelez au :

Résidents des É.-U. : 1-800-865-6330 (8 h 30 – 17 h 00 HNE) lun.-ven.

Résidents du Canada : 1-888-335-6644 (8 h 30 – 16 h 30) lun.-ven.

ACHAT DE PIÈCES DÉTACHÉES OU D'ACCESSOIRES

Visitez le site www.delonghi.com ou appelez au :

Résidents des É.-U. : 1-800-865-6330 (8 h 30 – 17 h 00 HNE) lun.-ven.

Résidents du Canada : 1-888-335-6644 (8 h 30 – 16 h 30) lun.-ven. ou remplissez le formulaire fourni.

COORDONNÉES DE LA SOCIÉTÉ

De'Longhi America, Inc.
Park 80 West, Plaza One
Saddle Brook, NJ 07663
1-800-322-3848

Centro Nacional de Servicio:
Fiducia Italiana S.A. de C.V.
Hortencia 129 Col. Florida
México D.F., C.P. 01030
01-800-711-88-05 (lada sin costo)
56-62-53-68 y 69 (D.F.)

De'Longhi Canada, Inc.
6150 McLaughlin Court
Mississauga, Ontario
L5R 4E1 Canada
1-888-335-6644

De'Longhi S.p.A.
Via L. Seitz 47
Treviso, Italy 31100

www.delonghi.com

DONNÉES TECHNIQUES

Fabriqué en RPC

Caractéristiques électriques: 120 Volts / 60 Hz

Puissance consommée: 1500 watts

INTRODUZIONE

Grazie per aver scelto un prodotto De'Longhi!

Il costante impegno dedicato alla qualità e all'innovazione ha fatto di De'Longhi un leader mondiale nella produzione di elettrodomestici. La tecnologia e il design di ognuno dei nostri prodotti riflettono l'inconfondibile stile italiano. Il nostro obiettivo è di realizzare prodotti che contribuiscano a migliorare la vita dei nostri clienti. Siamo certi che, seguendo attentamente i suggerimenti che Le daremo, potrà usare il suo apparecchio De'Longhi per lungo tempo traendone la massima soddisfazione.

Ora che ci ha scoperto, concorderà con noi sul fatto che tutti gli elettrodomestici De'Longhi rappresentano una vera "Living Innovation".

Per conoscerci meglio, visiti il nostro sito www.delonghi.com con la linea completa dei nostri prodotti.



Living innovation

INDICE

Descrizione dell'articolo.....	<i>Copertina</i>
Centri Assistenza.....	<i>Copertina</i>
Avvertenze di sicurezza.....	47
Cavo di alimentazione corto.....	48
Primo utilizzo.....	48
Componenti della Macchina per Caffè.....	49
Funzionamento della macchina.....	52
Decalcificazione.....	54
Pulizia della macchina.....	55
Garanzia limitata.....	56
Servizio di assistenza clienti.....	57
Acquisto di ricambi e accessori.....	57
Informazioni sulla Società.....	57
Informazioni tecniche.....	57

AVVERTENZE DI SICUREZZA

Quando si utilizza un elettrodomestico occorre sempre osservare alcune semplici precauzioni di sicurezza per ridurre i rischi di incendio, scosse elettriche e/o lesioni.

1. Leggere attentamente le seguenti istruzioni.
2. Fare attenzione alla fuoriuscita di vapore e non sollevare mai il portafiltro durante la fase di preparazione del caffè.
3. Sollevare il portafiltro mediante l'apposita linguetta.
4. Non toccare le superfici calde. Afferrare la caraffa per il manico.
5. Non toccare la piastra riscaldante.
6. Per evitare scosse elettriche, non immergere il cavo, la spina o la macchina in acqua o in altri liquidi.
7. Prestare la massima attenzione quando la macchina viene usata da o in prossimità di bambini.
8. Spegnerla macchina e staccare la spina dalla presa prima di riempire il serbatoio dell'acqua, quando non viene utilizzata e prima delle operazioni di pulizia. Lasciare che l'apparecchio si raffreddi prima di inserire o togliere componenti e prima delle operazioni di pulizia.
9. Non mettere in funzione l'apparecchio se il cavo o la spina sono danneggiati, se la macchina non funziona bene o ha subito danneggiamenti. Portare l'apparecchio ad un centro di assistenza autorizzato per un controllo ed eventuale riparazione o regolazione.
10. Il costruttore sconsiglia l'uso di accessori. Potrebbero risultare pericolosi e pertanto andrebbero evitati.
11. Non utilizzare la macchina all'aperto.
12. Non lasciare che il cavo sporga dal bordo del tavolo o della superficie di lavoro o che venga a contatto con superfici calde. Avvolgere la parte di cavo non utilizzata nell'apposito alloggiamento.
13. Non posizionare l'apparecchio sopra o in prossimità di un fornello a gas o elettrico o all'interno di un forno acceso.
14. Prima di azionare qualsiasi comando, inserire la spina nella presa di corrente. Per scollegare la macchina, portare l'interruttore su OFF quindi estrarre la spina dalla presa.
15. Usare sempre acqua fredda per preparare il caffè. L'uso di acqua calda, o di altri liquidi, potrebbe danneggiare l'apparecchio. Prima di accendere la macchina accertarsi che ci sia acqua nel serbatoio.
16. Se il coperchio viene sollevato o rimosso durante la fase di preparazione c'è il rischio di scottature.
17. Non utilizzare l'apparecchio per scopi diversi da quelli previsti.
18. Non appoggiare la caraffa calda su una superficie bagnata o fredda.
19. Non appoggiare la caraffa calda sopra o vicino a carta, tessuti o altri materiali infiammabili.

AVVERTENZE DI SICUREZZA

20. Non riscaldare la caraffa su un piano di cottura o in un forno a microonde.
21. Non lasciare che il liquido evapori dalla caraffa. Non scaldare la caraffa quando è vuota.
22. Non spostare l'apparecchio se la caraffa contiene del liquido bollente.
23. Lasciare il coperchio sulla caraffa durante la preparazione e quando si versa il caffè.
24. Eliminare la caraffa se danneggiata o con il manico lasco o danneggiato. Un'eventuale scheggiatura o incrinatura potrebbe provocarne la rottura o contaminare il contenuto con frammenti di vetro.
25. Non usare polveri abrasive, pagliette metalliche o altri materiali abrasivi per pulire la caraffa .
26. Questa caraffa va utilizzata solo con questa macchina per caffè.
27. **ATTENZIONE:** Per ridurre i rischi di incendio o scosse elettriche, non scoperciare la base. Al suo interno non vi sono parti su cui l'utente possa intervenire. Eventuali riparazioni vanno eseguite esclusivamente da tecnici autorizzati. **NOTA:** Non immergere in alcun tipo di liquido.
28. **ATTENZIONE:** Non sollevare il coperchio durante il funzionamento: c'è il pericolo di ustionarsi. Sollevare il coperchio agendo sempre sull'apposita linguetta e con l'apparecchio spento.
29. Non toccare le parti calde.
30. Conservare con cura queste istruzioni.

Utilizzare l'apparecchio esclusivamente
per uso domestico

**CONSERVARE CON CURA
QUESTE ISTRUZIONI**

CAVO DI ALIMENTAZIONE CORTO

L'apparecchio viene fornito con un cavo di alimentazione corto; un cavo più lungo potrebbe aggrovigliarsi o ci si potrebbe inciampare accidentalmente. Sono disponibili cavi di alimentazione staccabili più lunghi da usare con tutte le attenzioni del caso. Nel caso venga utilizzato un cavo staccabile più lungo o una prolunga (1), la potenza elettrica della prolunga deve essere pari o superiore a quella dell'apparecchio, e (2) il cavo più lungo va sistemato in modo che non sporga dal ripiano o dal tavolo: qualcuno potrebbe inciamparvi accidentalmente o i bambini potrebbero tirarlo. La potenza elettrica dell'apparecchio è riportata sulla parte inferiore della macchina. Se l'apparecchio prevede la messa a terra, la prolunga deve essere a tre fili. Questo apparecchio è dotato di spina polarizzata con un polo più grande dell'altro. Per ridurre il rischio di scosse elettriche questo tipo di spina si può inserire in una presa polarizzata in un solo senso. Se la spina non entra nella presa, rivolgersi a un elettricista qualificato. Non tentare in nessun modo di modificare la spina.

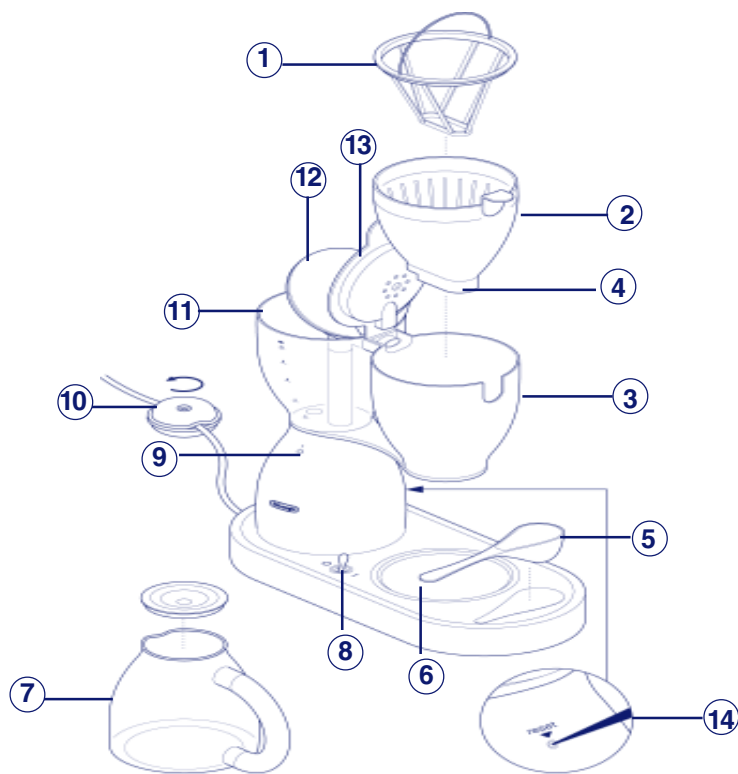
PRIMO UTILIZZO

Appoggiare la scatola su un'ampia superficie solida e piana. Estrarre dall'imballaggio la macchina per caffè e togliere tutto il materiale di imballaggio e la documentazione. Rimuovere eventuali etichette o adesivi dalla macchina. Usare un panno pulito e leggermente inumidito per rimuovere la polvere eventualmente accumulata durante l'imballaggio. Asciugare completamente. Non immergere la macchina in acqua o altro tipo di liquido. Pulire la caraffa, il coperchio della caraffa, il cestello del filtro e il filtro in acqua tiepida con un detergente delicato. Sciacquare e asciugare completamente. Non utilizzare detersivi aggressivi o abrasivi. (Per istruzioni più dettagliate vedere la sezione "Pulizia della macchina".) Tenere i sacchetti di plastica lontani dalla portata dei bambini.

NOTA: *Prima di preparare la prima caraffa di caffè, consigliamo di far funzionare la macchina una o due volte solo con acqua, senza il caffè macinato, per eliminare eventuali residui di polvere che si fossero depositati all'interno dell'apparecchio e che potrebbero alterare il gusto del caffè.*

IMPORTANTE: Usare solamente acqua fredda. Il sistema di filtraggio automatico funziona meglio con l'acqua fredda.

COMPONENTI DELLA MACCHINA PER CAFFÈ



- | | |
|-------------------------------------|---|
| 1. Filtro dorato permanente | 8. Interruttore On/Off con spia di accensione |
| 2. Cestello del filtro | 9. Spia decalcificazione |
| 3. Portafiltro | 10. Alloggiamento del cavo di alimentazione |
| 4. Valvola anti-gocciolamento | 11. Serbatoio dell'acqua |
| 5. Misurino | 12. Coperchio del serbatoio dell'acqua |
| 6. Piastra riscaldante antiaderente | 13. Coperchio del portafiltro |
| 7. Caraffa di vetro e coperchio | 14. Pulsante di reset per la decalcificazione |

COMPONENTI DELLA MACCHINA PER CAFFÈ

CARATTERISTICHE:

1. **CORPO IN ALLUMINIO SENZA GIUNTURE** stilisticamente elegante e allo stesso tempo robusto.
2. **FILTRO DORATO PERMANENTE:** Studiato appositamente per trattenere anche le più piccole parti di polvere di caffè. E' più resistente rispetto a filtri di altro tipo e pertanto dura più a lungo.
3. **PORTAFILTRO ESTRAIBILE:** Facilita l'operazione di riempimento e la pulizia.
4. **PIASTRA RISCALDANTE ANTIADERENTE:** Mantiene caldo il caffè dopo la preparazione e si mantiene pulita.
5. **ALLOGGIAMENTO DEL CAVO DI ALIMENTAZIONE:** Consente di riporre il cavo quando la macchina non viene utilizzata.
6. **SPIA DECALCIFICAZIONE:** Indica quando è il momento di pulire la macchina.
7. **FUNZIONE "PAUSE 'N SERVE":** Questa funzione consente di interrompere il ciclo di preparazione e di servirsi un caffè prima che la caraffa sia piena. Per riavviare la preparazione, basta porre nuovamente la caraffa sulla piastra riscaldante e il caffè riprenderà automaticamente a fluire dal cestello del filtro. Accertarsi che la caraffa sia appoggiata completamente sulla piastra riscaldante. **ATTENZIONE:** Non lasciare l'apparecchio senza caraffa per più di 30 secondi: il caffè potrebbe traboccare dal cestello del filtro.
8. **INDICATORE DEL LIVELLO DELL'ACQUA:** Numeri grandi e di facile lettura indicano quante tazze di caffè si possono fare con l'acqua versata nella macchina.
9. **DISPOSITIVO DI SPEGNIMENTO AUTOMATICO** per garantire la massima sicurezza.

FUNZIONAMENTO DELLA MACCHINA PER CAFFÈ

PREPARAZIONE DELLA MACCHINA:

1. Sistemare la macchina su una superficie piana e regolare, lontana dai bordi.
2. Inserire la spina in una presa a 120V / 60Hz.
3. Durante il ciclo di preparazione del caffè, il coperchio della caraffa deve essere ben chiuso e la caraffa sistemata sulla piastra riscaldante.
4. **ATTENZIONE:** *Il coperchio della macchina deve essere completamente chiuso durante il funzionamento.*

RIEMPIMENTO DEL SERBATOIO DELL'ACQUA:

5. Togliere il coperchio dal serbatoio dell'acqua.
6. Riempire il serbatoio con la quantità desiderata di acqua fredda. Il livello dell'acqua deve stare tra i segni di livello massimo e minimo. **NOTA:** Non riempire il serbatoio oltre il livello massimo.
7. Usare solo acqua fredda.

NOTA: La quantità di caffè preparato dalla macchina sarà sempre leggermente inferiore alla quantità di acqua versata nel serbatoio, poiché una parte dell'acqua viene assorbita dalla polvere di caffè e dal filtro. All'inizio aggiungere un po' d'acqua in più per ottenere il numero di tazze desiderato.

PREPARAZIONE DEL CAFFÈ:

8. Sollevare il coperchio del portafiltro. Accertarsi che il cestello del filtro e il filtro siano inseriti correttamente all'interno del portafiltro. Si può utilizzare il filtro dorato permanente (incluso) al posto di, o in aggiunta a, un filtro di carta (non incluso). Se si usa il filtro di carta, inserire un filtro a cono N.4 nel cestino del filtro prima di riempirlo di polvere di caffè.
9. Versare nel filtro il caffè macinato nella quantità desiderata utilizzando il misurino in dotazione. Si consiglia di usare la misura standard (2 cucchiaini rasi) di caffè macinato per 175 ml. d'acqua. In seguito, potrete variare la quantità di caffè macinato secondo il vostro gusto. **NOTA:** Usare sempre caffè macinato del tipo specifico per macchine per caffè all'americana.
10. Chiudere il coperchio del portafiltro. **ATTENZIONE:** Non mettere in funzione la macchina se il coperchio non si chiude completamente. Se il coperchio non dovesse chiudere bene, verificare il corretto inserimento del cestello del filtro all'interno del portafiltro.
11. Chiudere il coperchio della caraffa di vetro fino a bloccarlo. Sistemare la caraffa sulla piastra riscaldante. Durante il processo di preparazione del caffè il coperchio deve essere completamente chiuso.

FUNZIONAMENTO DELLA MACCHINA PER CAFFÈ

12. Collegare l'apparecchio a una presa elettrica e spostare l'interruttore di accensione su ON. L'interruttore si illumina e la macchina inizia la preparazione del caffè.

13. Non rimuovere la caraffa di vetro dalla piastra riscaldante prima della fine del ciclo di preparazione.

14. La macchina completa il ciclo in pochi minuti. **NOTA:** Per interrompere il procedimento di preparazione in qualsiasi momento, spostare l'interruttore di accensione su OFF.

15. **NOTA:** Se volete una tazza di caffè prima che la caraffa sia piena, la funzione "Pause 'N Serve" consente di interrompere momentaneamente la preparazione del caffè. In realtà non si ferma il processo ma solo la percolazione del caffè attraverso il cestino. **Non lasciate l'apparecchio senza caraffa per più di 30 secondi: il caffè potrebbe traboccare dai fermi del cestino.** Benché la macchina sia dotata di questa funzione, non si consiglia di servire il caffè prima che il ciclo sia terminato, in quanto il caffè filtrato all'inizio ha un gusto molto diverso da quello filtrato alla fine del ciclo. Togliendo una tazza di caffè durante il ciclo di preparazione si altera il gusto finale del caffè.

16. Una volta terminato il processo di preparazione, l'apposita resistenza nella piastra antiaderente mantiene il caffè alla giusta temperatura.

17. Per versare il caffè al termine del ciclo di preparazione, rimuovere la caraffa dalla piastra riscaldante. Una volta versata la quantità desiderata di caffè, riporre la caraffa sulla piastra riscaldante.

18. La piastra mantiene caldo il caffè; tuttavia il gusto è migliore se il caffè viene consumato subito. La macchina manterrà in caldo il caffè per due ore quindi si spegnerà automaticamente.

19. Quando la caraffa è vuota o la macchina non viene usata, spostare l'interruttore su OFF per spegnere l'apparecchio. Una volta terminato il ciclo, eliminare i fondi di caffè e risciacquare il filtro permanente e il cestello. (Per istruzioni più dettagliate vedere la sezione "Pulizia della macchina".)

20. **NOTA:** Dopo aver non usato la macchina alcune volte, effettuare un ciclo solo con acqua (senza caffè) per pulirla. Quando si esegue questa operazione, riempire il serbatoio dell'acqua fino al livello massimo. **ATTENZIONE:** Mai mettere la caraffa nel microonde.

FUNZIONAMENTO DELLA MACCHINA PER CAFFÈ

CONSIGLI PER FARE UN BUON CAFFÈ

1. Per fare un buon caffè è indispensabile che la macchina sia pulita. Si consiglia di pulirla regolarmente seguendo le istruzioni fornite nella sezione "Pulizia della macchina" del presente manuale.
2. Usare sempre acqua corrente fredda.
3. Il caffè macinato fine fornisce la massima resa e dà un caffè dal sapore ricco e robusto. Per ottenere lo stesso gusto robusto con caffè macinato regolare ne occorre una quantità leggermente maggiore.
4. Conservare il caffè in luogo fresco e asciutto. Una volta aperto, chiuderlo ermeticamente e conservarlo in frigorifero per preservarne la freschezza.
5. L'ideale per fare un buon caffè è macinare i grani al momento.
6. Non riutilizzare i fondi di caffè: si otterrebbe un caffè dal sapore spento.
7. Non si consiglia di riscaldare il caffè. Il sapore migliore è quello del caffè appena fatto.
8. Le piccole gocce di olio visibili in superficie sono dovute all'estrazione di olio dalla polvere di caffè. I caffè ad alta torrefazione presentano un maggior livello di oleosità. Questo potrebbe anche indicare che la macchina necessita di essere pulita.

DECALCIFICAZIONE

All'interno della macchina si possono formare depositi calcarei dovuti ai minerali normalmente contenuti nell'acqua potabile. Si tratta di un processo naturale, che tuttavia può rallentare il tempo di preparazione del caffè. Per ovviare a ciò, occorre pulire periodicamente la macchina dai depositi calcarei.

INDICATORE DI DECALCIFICAZIONE

1. Dopo circa 90 cicli la macchina indicherà automaticamente quando è il momento di effettuare la pulizia.
2. La spia di decalcificazione lampeggia per segnalare che occorre procedere a questa operazione.

DECALCIFICAZIONE

COME DECALCIFICARE LA MACCHINA PER CAFFÈ

3. Per togliere i depositi calcarei, riempire la caraffa di acqua fredda e aggiungere due cucchiai di aceto bianco.
4. Versare la soluzione nel serbatoio dell'acqua, quindi chiuderlo con il coperchio. Posizionare la caraffa sulla piastra e accendere la macchina in modo che esegua un ciclo con la soluzione di aceto.
5. Per questa procedura non inserire alcun filtro nel cestello. Quando la soluzione di acqua e aceto è passata nella caraffa, svuotarla e risciacquarla in acqua fredda.
6. Riempire il serbatoio solo con acqua fredda e fare eseguire un altro ciclo per togliere eventuali residui di aceto. Ripetere se necessario.
7. Per resettare la macchina dopo la decalcificazione, premere il pulsante di reset situato sul lato posteriore.

PULIZIA DELLA MACCHINA

1. **ATTENZIONE:** Prima di procedere alla pulizia assicurarsi di aver staccato la spina dalla presa di corrente. Per evitare scosse elettriche, non immergere il cavo, la spina o l'apparecchio in acqua o in altri liquidi.
2. Pulire la parte esterna della macchina con un panno morbido leggermente inumidito. **ATTENZIONE:** Non immergere la macchina in acqua o in altro liquido.
3. Pulire l'interno della macchina con un panno umido e un detergente delicato. Per pulire la caraffa non usare prodotti abrasivi o pagliette metalliche che ne graffierebbero la superficie.
4. Per lavare il coperchio della caraffa e il cestello estraibile del filtro saponata tiepida. Risciacquare e asciugare completamente. Non lavare nessun componente della macchina in lavastoviglie.
5. Per pulire il filtro dorato permanente, svuotarlo dei fondi di caffè e risciacquarlo accuratamente.
6. Non pulire l'interno del serbatoio dell'acqua con un panno per evitare che eventuali residui del tessuto intasino la macchina.
7. Per le macchie più resistenti, usare una paglietta di nylon o plastica con un detergente non abrasivo (solo per l'interno della macchina). Non utilizzare pagliette metalliche o polveri abrasive.

INFORMAZIONI IMPORTANTI

SERVIZIO DI ASSISTENZA CLIENTI

Visitate il sito www.delonghi.com o chiamate:

Residenti negli Stati Uniti: 1-800-865-6330 (8:30 – 5:00 EST) Lun -Ven

Residenti in Canada: 1-888-335-6644 (8:30 – 4:30) Lun-Ven

ACQUISTO DI RICAMBI E ACCESSORI

Visitate il sito www.delonghi.com o chiamate:

Residenti negli Stati Uniti: 1-800-865-6330 (8:30 – 5:00 EST) Lun -Ven

Residenti in Canada: 1-888-335-6644 (8:30 – 4:30) Lun-Ven, o riempite il modulo allegato.

INFORMAZIONI SULLA SOCIETÀ

De'Longhi America, Inc.
Park 80 West, Plaza One
Saddle Brook, NJ 07663
1-800-322-3848

De'Longhi Canada, Inc.
6150 McLaughlin Court
Mississauga, Ontario
L5R 4E1 Canada
1-888-335-6644

Centro Nacional de Servicio:
Fiducia Italiana S.A. de C.V.
Hortencia 129 Col. Florida
México D.F., C.P. 01030
01-800-711-88-05 (lada sin costo)
56-62-53-68 y 69 (D.F.)

De'Longhi S.p.A.
Via L. Seitz 47
Treviso, Italy 31100

www.delonghi.com

INFORMAZIONI TECNICHE

Fabbricato nella RPC

Per uso con corrente: 120 Volt / 60 Hz

Consumo di corrente: 1500 Watt

De'Longhi è inoltre il distributore di piccoli elettrodomestici a marchio Kenwood. Questa garanzia è applicabile a tutti i piccoli elettrodomestici a marchio Kenwood o De'Longhi.

Garanzia limitata

Copertura della garanzia

De'Longhi garantisce che ciascun prodotto è esente da difetti di materiale e di fabbricazione. La presente garanzia è limitata alla riparazione delle parti difettose o delle loro componenti presso la nostra fabbrica o presso un centro di assistenza autorizzato, ad eccezione delle parti danneggiate durante la spedizione. Nel caso di sostituzione o restituzione di un prodotto, l'unità deve essere restituita con trasporto prepagato. Il modello riparato o nuovo verrà restituito a spese dell'azienda. La presente garanzia ha validità solamente nel caso in cui il prodotto venga utilizzato in conformità con le istruzioni di fabbrica con cui viene venduto, e su un circuito a corrente alternata (c.a.).

Durata della garanzia

La presente garanzia ha validità di un anno (1) dalla data di acquisto riportata sulla prova d'acquisto ed è riconosciuta esclusivamente all'acquirente originale per l'uso.

Limitazioni della garanzia

La garanzia non copre difetti o danni del prodotto dovuti a riparazioni o alterazioni eseguite al di fuori della fabbrica o dai centri di assistenza autorizzati, né si applica a prodotti danneggiati da abuso, uso improprio, negligenza o incidente. Inoltre, i danni consequenziali ed incidentali derivanti dall'uso di questo prodotto o da una qualsiasi violazione del contratto o di questa garanzia non sono coperti da quest'ultima. Alcune giurisdizioni non consentono l'esclusione o la limitazione di danni incidentali o consequenziali; in tal caso, le limitazioni o esclusioni di cui sopra non saranno applicabili

Come ottenere servizi di assistenza

Nel caso occorra fare delle riparazioni, rivolgersi al servizio informazioni: _

Residenti negli USA: Contattare il servizio di assistenza telefonica gratuito al numero 1-800-322-3848 oppure collegarsi all'indirizzo internet **www.delonghi.com**. Per tutti gli accessori, i componenti o i pezzi di ricambio, contattare il reparto componenti al numero 1-800-865-6330.

Residenti in Canada: Contattare il servizio di assistenza telefonica gratuito al numero 1-888-335-6644 oppure collegarsi all'indirizzo internet **www.delonghi.com**.

Residenti in Messico: Riferirsi alle condizioni di garanzia limitata riportate nella sezione per il Messico.

Per gli indirizzi di De'Longhi si prega di vedere la pagina posteriore del manuale.

La garanzia sopra riportata è esclusiva e sostituisce qualsiasi altra garanzia, espressa o implicita. Eventuali garanzie implicite previste dalle leggi vigenti saranno soggette ai limiti di durata stabiliti dalla garanzia. Il limite non si applica nel caso di un'estensione della garanzia con De'Longhi. Alcune giurisdizioni non consentono l'esclusione o la limitazione della durata delle garanzie implicite; in tal caso, le limitazioni di cui sopra non saranno applicabili. De'Longhi non autorizza alcuna persona o società ad assumersi qualsivoglia responsabilità relativamente alla vendita o all'uso dei propri prodotti.

Applicazione delle leggi dei singoli stati

La presente garanzia concede diritti legali specifici oltre a quelli eventualmente previsti dalla legislazione vigente nei vari stati.



Living innovation

www.delonghi.com