

302 D

Cooker Hood

Installation and Operating Instructions

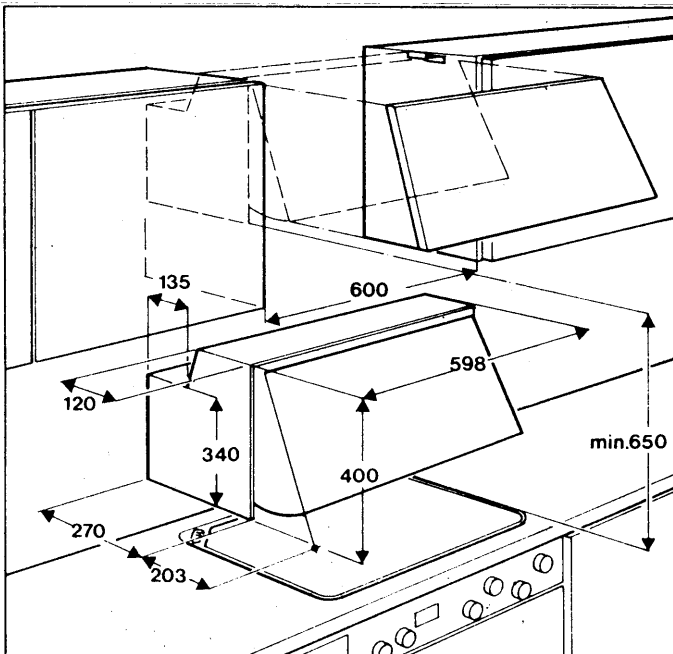
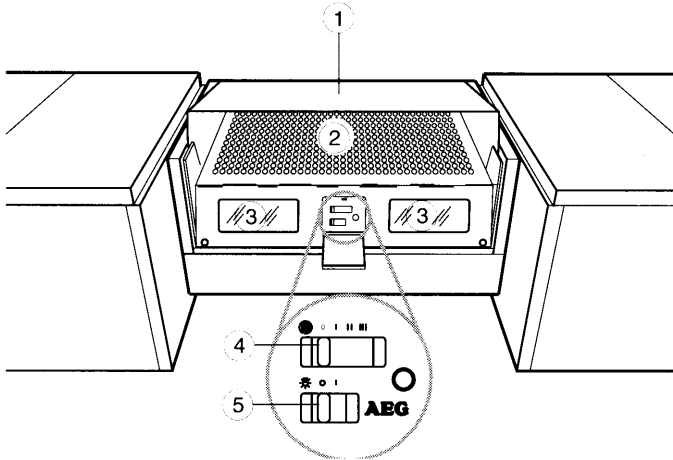
Contents

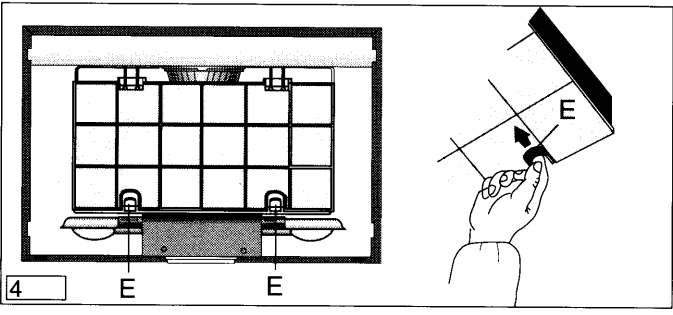
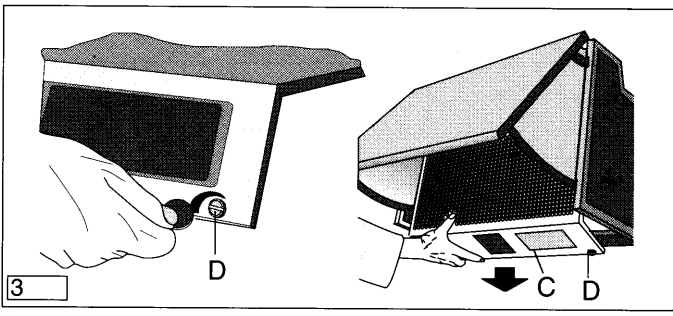
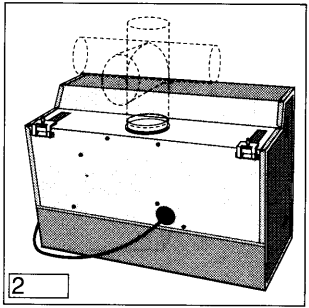
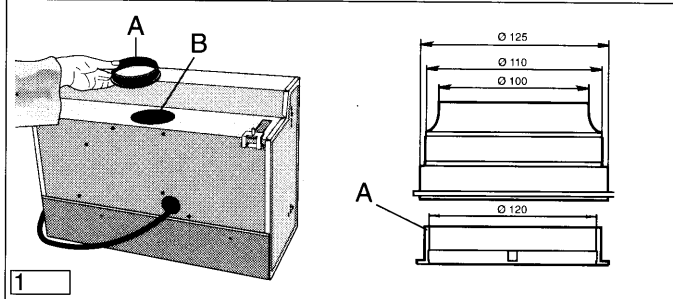
Drawings	3-4-5-6-7
General	8
Preparation for installation	8
Extraction mode	8
Recirculation mode	9
Notes prior installation	9
Electrical connection	10
Installation	13
Fixing the furniture door to the hood	13
Installing the hood between cupboards with hanging rails	13
Installing the hood to the wall	14
Using the hood	15
Maintenance	16
Grease filter	16
Carbon filter	16
Cleaning	16
Changing the bulbs	17
Technical data	17
Faults	18

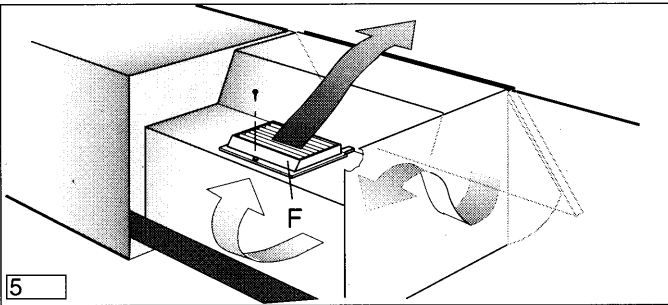


View of the Hood

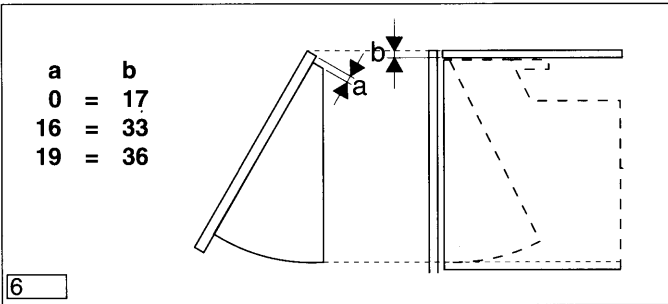
- 1) Extendable Vapour Guide
- 2) Filter Grille
- 3) Lighting
- 4) Motor Switch
- 5) Light Switch



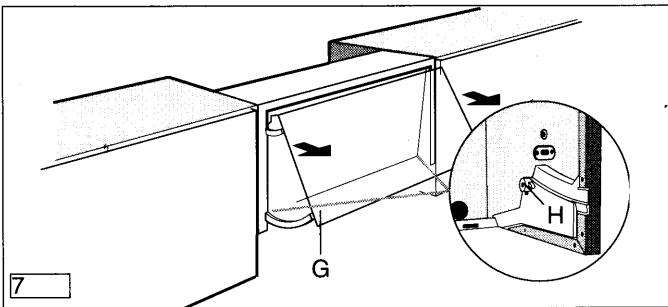




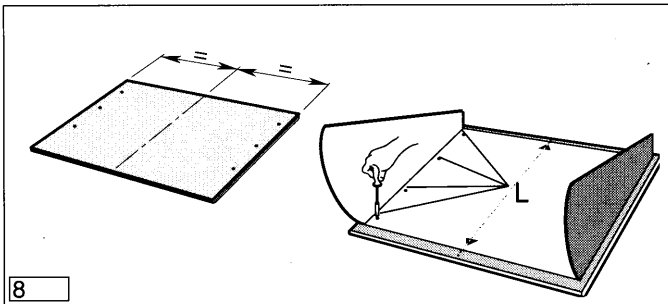
5



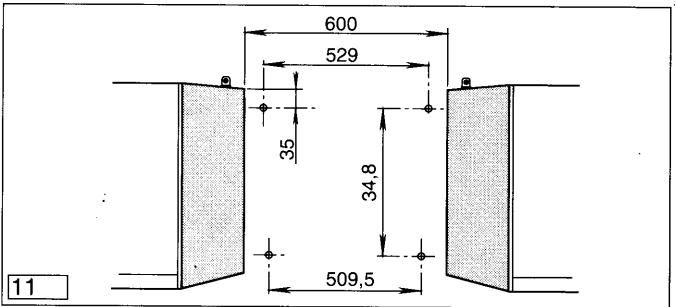
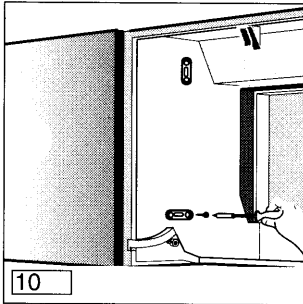
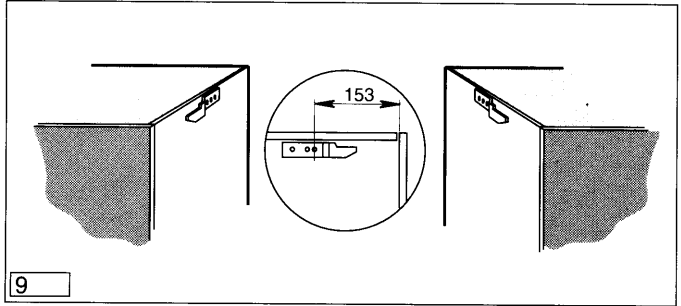
6

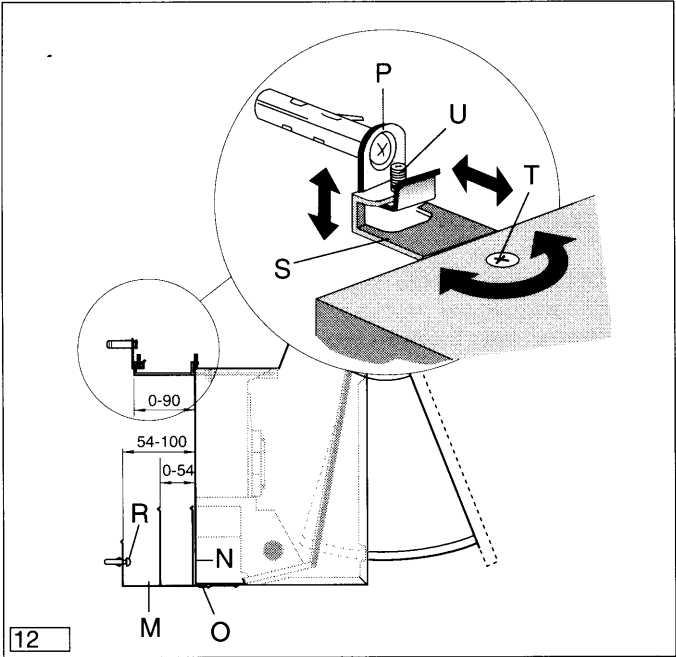


7

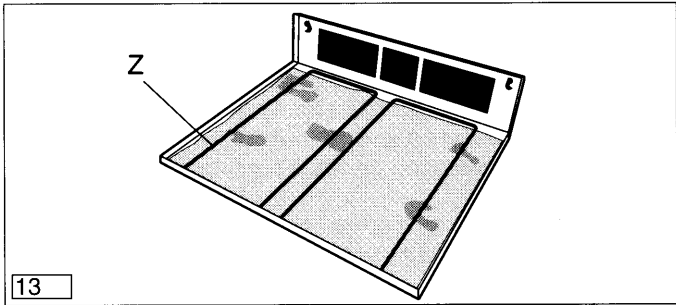


8





12



13

General

The cooker hood can be used :

either as an exhaust air appliance (extraction mode)
or as a return air appliance (recirculation mode)
via a carbon filter (optional extra).

Preparation for installation

Extraction mode

In this mode the fumes are extracted to the outside via a venting hose connected to the coupling ring **A**, placed in hole **B** (fig. 1). Depending on your installation the hose can be directed either towards the ceiling or towards the walls (fig. 2).

In the extraction mode the outlet venting hose should to be 120mm in diameter, but 100mm or 110mm venting hoses can be used by inserting the multiconnector flange (fig. 1), supplied with the hood on the coupling ring **A**, before connecting the hood to the outlet venting hose.

If the venting hose runs horizontal it must be slightly slanted upwards (about 10°) to ensure the air is vented easily from the kitchen to the outside.

If the hood is to vent out into the open air through an external wall, you need a telescopic wall box (optional extra). Wall box and venting hoses are available via your AEG Stockist or AEG Spare Parts. Flame retardant venting hose is available in 120 and 100mm diameter. Other flame retardant materials such as KA piping can be used.

Optimum operation of the cooker hood in the extraction mode is assured only if the following points are observed:

- short, straight exhaust air runs
- as few hose bends as possible
- running of the hose in smooth flat arcs not at sharp angles.
- as large as possible hose diameter

Failure to observe these principles will result in serious power losses and increased operating noise.

In this mode the fumes filter through an active carbon filter (optional extra) and are returned into the room.

To fit the carbon filter remove the grille **C** by turning locks **D** and pull it out downwards (fig. 3). Fit the filter in the seat at the front and fasten it at the back with the two hooks **E** (fig. 4). The cover **F** (fig. 5) must be fitted over the hole **B** (fig. 1) fixing it with the special screw provided. This cover deflects the air forwards avoiding soilage of the rear wall.

Important:

In the extraction mode the exhaust air must not be introduced into a smoke flue or exhaust gas chimney. Introduction of the exhaust air into a shaft used for ventilation of the installation spaces of firerooms is not permitted.

If the exhaust air is introduced into a operational smoke flue or exhaust gas chimney, it is advisable to seek the advice of a competent chimney-sweep. The official exhaust air guidance regulations are to be complied with.

During operation in the extraction mode, an adequate air opening of approximately the same size as the exhaust air opening should be ensured.

According to the Provincial Building Regulations, the joint operation of fume extractor hoods and chimney-linked fireplaces, such as coal or oil-fired ovens and gas heaters, in the same space is subject to specific restrictions. In such spaces, the Fireplace Regulations only allow an underpressure of max. 0.04 mbar. The safe joint operation of chimney-linked appliances and fume extractor hoods is only guaranteed if space and/or dwelling (space/air interaction) are externally vented by a suitable supply air opening of around 500-600cm² and an underpressure thereby avoided when the cooker hood is running. In doubtful cases, please seek the advice and consent of a competent chimney-sweep or the local building authorities.

In spaces without a fireplace, the rule is: "Supply an air opening as large as the exhaust air opening", the efficiency of the hood in the extraction mode may be impaired by a greater opening. Operation of the hood in the recirculation mode in such circumstances is safe and is not subject to the regulations above.

When installed, the minimum distance from the hob to the lower edge of the cooker hood must be 65cm for electric hobs or 75cm in the case of gas or mixed fuel hobs

Recirculation mode

Notes prior to installation

Electrical connections

Voltage and current

- Please ensure that the voltage and current indicated on the rating plate agree with the voltage of your electricity supply.

If your appliance has been equipped with a mains lead with a moulded-on type plug, you must comply with the following regulations:

The plug moulded on to the lead incorporates a fuse. For replacement, use a 5 amp BS1362 fuse. Only ASTA approved or certified fuses should be used. If the fuse cover/carrier is lost, a replacement cover/carrier must be obtained from an electrical goods retailer. If the socket outlets in your home are not suitable for the plug fitted to the appliance, then the plug must be cut off and destroyed for safety reasons, and an appropriate plug fitted.

When wiring the plug ensure that all strands of wire are securely retained in each terminal. Do not forget to tighten the mains lead clamp on the plug.

Important

This appliance complies with the following directives:

- 89/336/EEC of 03.05.1989 (including amendments 92/31/EEC of 28.04.1992 and 93/68/EEC of 22.07.1993), EMC directive.

Electrical connections

230 V - using fixed power supply line with plug.

240 V - using fixed power supply line (Great Britain).

Fuse rating 13 amps

(The unit should only be connected up by an authorized electrician).

See rating plate for further information.

It is recommended that the socket for the plug is sited above the cooker hood or above the overhead cabinet.

This has 2 advantages:

- 1) The socket is not visible.
- 2) The appliance can easily be unplugged when necessary.

If a fixed connection is required the cooker hood should be connected by an electrical installer registered with a competent electricity company. An isolating device is to be provided on the fixed wiring side. Switches with a contact opening of more than 3mm apply as isolating devices.

These include-automatic cut-out switches, fuses and contactors (VDE 0730, s. 7, Part1).

Your appliance must be connected to fixed wiring via the use of a double pole switched fused spur outlet with or without pilot lamp.

We strongly recommend the appliance is connected by a qualified electrician who is a member of the NICEIC who will comply with the IEE and any local regulations.

NOTE:

The terminology "DOUBLE POLE" means that both the live and neutral supplies are switched and disconnected at the same time.

The terminations labelled SUPPLY are for the connection for the internal house wiring and the terminations labelled LOAD are for the appliance.

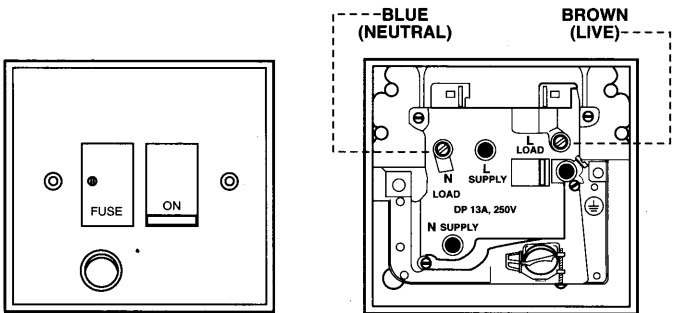
IMPORTANT

The wires of the mains lead supplied with this appliance are coloured in accordance with the following code:

- Blue-Neutral
- Brown-Live

As the colours of the flexible cord of this appliance may not correspond with the coloured markings identifying the terminals in your plug, proceed as follows: The wire which is coloured brown must be connected to the terminal which is marked with the letter L or coloured red.

The wire which is coloured blue must be connected to the terminal which is marked with the letter N or coloured black.



**Appliances
with 2 wires**

Appliances with 3 wires

Your appliance must be connected to fixed wiring via the use of a double pole switched fused spur outlet with or without pilot lamp.

We strongly recommend the appliance is connected by a qualified electrician who is a member of the NICEIC who will comply with the IEE and any local regulations.

NOTE: The terminology "DOUBLE POLE" means that both the live and neutral supplies are switched and disconnected at the same time.

The terminations labelled SUPPLY are for the connection for the internal house wiring and the terminations labelled LOAD are for the appliance.

WARNING: THIS APPLIANCE MUST BE EARTHED

IMPORTANT

The wires in this mains lead are coloured in accordance with the following code:

Green/Yellow - Earth

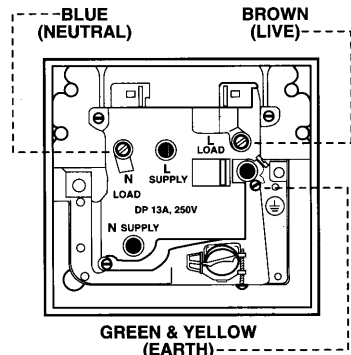
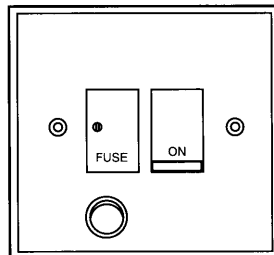
Blue - Neutral

Brown - Live

As the colours of the wires in the mains lead of this appliance may not correspond with the coloured markings identifying the terminate in your spur box, proceed as follows:

The wire which is coloured green and yellow must be connected to the terminal which is marked with the letter "E" or by the earth symbol \perp or coloured green or green and yellow. The wire which is coloured blue must be connected to the terminal which is marked with the letter "N" or coloured black.

The wire which is coloured brown must be connected to the terminal which is marked with the letter "L" or coloured red.



Installation

Before fixing the furniture door to the hood, please ensure the correct distance between the plate and the upper edge of the cabinet door (depends on the thickness of the material and whether or not there is an upper shelf) (Fig. 6).

1. Remove the grille filter **C** by turning the locks **D** and pull it out downwards (Fig. 3).
2. Take off the extendable vapour guide **G** (fig. 7) by turning the rear locking knobs **H** (Fig. 7).
3. Draw a line with a pencil on the middle of the internal side of the furniture door (Fig. 8).
4. Fit the plate upon the internal side of the furniture door so that the line previously marked on it, is visible through the two triangles holes located on the mid upper and lower side of the plate, having care to respect the distance from the plate to the higher edge of the furniture door as for the reason mentioned above.
5. Fasten the plate to the furniture door through the 6 screws **L** 4,5 x 13 mm supplied (Fig. 8).
6. Replace the complete fume protection plate assembly into the extractor hood, first inserting it on its upper, then on its lower guides.
7. Turn the rear unlocking knobs **H** (Fig. 7) so to avoid the fume protection plate take off.
8. Replace the grille filter.

1. Remove the grille filter (Fig. 3).
2. Remove the fume protection plate (Fig. 7).
3. Mount the two hanging rails directly underneath the edge of the cupboard using three screws 4,5 x 16 mm each rail.
Distance from first hole to front edge of the cupboards sides must be 153 mm (Fig. 9).
4. Push the extractor hood over the two hanging rails, then fix the hood from its inside to the cupboards sides with two screws (4,5 x 13) through the lower holes of the hood (Fig. 10).
5. Replace the the complete fume protection plate assembly into the extractor hood.
6. Replace the grille filter.
7. Ensure that there is not a gap between the back of the hood and the wall by adjusting the spacer **M** tightly to the wall, using the screws **O** (fig. 12).

Fixing the furniture door to the hood

Installing the hood between cupboards with hanging rails

Installing the hood to the wall

It is possible to fix the hood in position, if necessary, by only attaching it to the rear wall.

Proceed as follows:

1. Drill the four holes on the wall as indicated (Fig. 11).
2. Insert the four rawl plugs supplied into these holes.
3. Screw the two mountings hooks into the top two rawl plugs (Fig. 12).
4. Dismount the spacer **M** (Fig. 12) from the body of the hood by unscrewing completely the two spacer fixing screws **O** and washers.
5. Fix the base spacer **M** to the wall (Fig. 12) with the two screws **R** 5x45 provided (Fig. 11) using either the long or the short arm, depending on the depth of the side cupboards.
Do not tighten the screws fully.
6. Fix the hood to the wall by means of the two hooks **P** previously mounted, but first move the upper brackets **S** (Fig. 11) so that the front panel of the hood, once mounted, will be in line with the front edge of the cupboard doors. The two upper brackets **S**, located at the top rear edge of the hood may be slid backwards and forwards by loosening its fixing screws **T** adjacent to them on the upper hood surface (Fig. 11).
7. Check that the hood is at the right height. Minor height adjustments may be made with the screws **U** embodied in the brackets (see Fig. 11).
8. Tighten the two wall fixing screws **R**, through the two access holes **N** provided on the inside of the hood (Fig. 12) then fix the lower sliding frame to the hood with two screws **O** and washers previously unscrewed (item 4).

Using the hood

It is advisable to switch on the cooker hood a few minutes before starting cooking and then to leave it running for approximately 15 minutes afterwards to ensure that all odours are extracted.

On the front of the appliance there are control switches (see page 3).

The switch marked with motor symbol controls fan power.

The switch marked with lamp symbol controls the lighting of the cooking surface.

The hood is also fitted with an automatic micro switch located on the right hand side behind the visor, the micro switch will switch the hood OFF, whatever selection is made with the slider switches when the visor is closed. When the visor is pulled open the hood will switch ON at its previous setting.

- If the hood is run at the same time as an ambient-air dependent burner or fireplace (for example gas, diesel, coal or wood heaters, water heaters, etc.) be careful, because the hood, when it extracts air, removes the ambient air the burners of fireplace need for combustion.

For safe operation and to prevent discharged gas from coming back into the room, make sure there is an air inlet, which may be provided through air-recycling doors, windows or wall boxes or by other technical devices.

- No food must be cooked flambé underneath the hood. The use of an unprotected flame is dangerous for the filters and could cause a fire. Therefore never use an open flame under the hood. When frying foods, never leave the pan unattended, the cooking oil could ignite. If contaminated oil is used, spontaneous ignition may occur even more readily.
- The hood must not be connected to fuel exhaust flues (boilers, heating systems, water heaters, etc.).
- The manufacturers do not accept liability for damage to the hood or its catching fire because of failure to observe the above instructions.

Where flexible ducting is fitted the length should be no more than:

- 3 metres with one 90° bend
- 2 metres with two 90° bends.

Bends of more than 90° will reduce the efficiency of the hood and reduce the air flow.

Maintenance

Before carrying out any maintenance disconnect the hood from the electricity supply.

Grease filter

The grease filter traps the suspended grease particles, and is used in the hood regardless of whether the hood is in the extraction or recirculating mode.

The thin synthetic filter (thickness about 1mm) is installed inside the filter grille. It is changed when the top colouring appears on the bottom, i.e. you can see the colour through the filter grille.

Removing the grease filter

To remove the filter:

- a) Remove the filter grille (see fig. 3)
- b) Take out the saturated filter after removing the clamps Z (fig. 13).
- c) Fit a new grease filter and replace filter grille.

When replacing the grease filter, also wash the filter grille with warm water and mild detergent i.e. washing-up liquid.

Replacement grease filters are available from AEG Spare Parts - Telephone (0753) 872550.

Carbon filter

The carbon filter is fitted when the hood is used in the recirculating mode.

This is not washable and cannot be reused.

The carbon filter should be replaced at least once every four months.

Removing the carbon filter

To remove the carbon filter, push the push-buttons E inwards and pull the filter downwards (Fig. 4).

Please specify model number and product number when ordering a replacement filter. This is found on the rating plate located inside the hood. Replacement filters are available from AEG Spare Parts, Telephone (0753) 872550.

Cleaning

To clean the outside of the hood use a mild solution of washing-up liquid and water.

Never use abrasive detergents, brushes or scouring powders.

Important

Always switch off the hood and pull out the plug before cleaning.

ATTENTION

Failure to observe the rules for cleaning the appliance and changing and cleaning the filters may cause a fire as a result of grease deposits. Therefore please observe these recommendations.

- 1) Disconnect the hood from the electricity supply.
- 2) Remove the filter grille (fig. 3) - this will then allow inspection/change of the bulb/s.
- 3) Unscrew defective bulb and replace with new one. Important: always use 40W candle lamp (E14) bulbs.

Before calling the Service Engineer because the hood fails to light up, make sure the bulbs are screwed in tightly.

Dimensions

Height — 400mm

Width — 599mm

Depth — 270mm

Weight

Net 9,7Kg

Connected Load 200W

Fan Motor 120 W

Lighting: 40 Watt Candle Lamp x 2

Length of the cable: 140 cm

Fan speed:	1	2	3
Extractor version:	143 m ³ /h	171 m ³ /h	234 m ³ /h
Filter version:	87 m ³ /h	132 m ³ /h	167 m ³ /h

Special Accessories

	Number	
Wall/Window Box		647 000 020
Venting Hose 120mm x 2.4M		647 000 012
Venting Hose 100mm x 2.4M		647 000 010
Universal Grease Filter		660 951 157
Carbon Filter KLF 60/80		610 899 421

Changing the bulbs

Technical Data

Performance Data

Faults

In case of any enquiries and faults, please call AEG After-Sales Service:

AEG Domestic Appliances Limited

Head Office:

217 Bath Road

Slough, Berks SL1 4AW

Tel: 01753 872506

Telefax: 01753 512271

AEG Northern Service Centre:

Unit 20, Haigh Park

Haigh Avenue

Stockport

GL Manchester SK4 1QR

Tel: 0161 487 2205

Telefax: 0161 474 1191

AEG Scottish Service Centre:

Block 11, Unit 1

Dundyvan Industrial Estate

Coatbridge

Lanarkshire ML5 4AQ

Tel: 01236 440387

Telefax: 01236 440256

Service Appointments

Bristol: 01179 252880

Norfolk: 01603 765515

When calling please state the following

1. The model number
2. The E-Nr.
3. The F-Nr.

The manufacturer reserves the right to make alterations in design and colour in the interests of technical development without prior notice.

AEG Hausgeräte AG
Postfach 1036
D-90327 Nürnberg

© Copyright by AEG
H 260 251 240

L361C Ed.06/95