

330 D / 430 D

Einbau-Dunstabzugshauben

Built-in Fume Extractor Hoods

Hottes aspirantes encastrables

Cappe ad incasso per l'intercettazione fumi

Campanas empotrables de aspiración de vahos

Inbouw-afzuigkapen

Gebrauchsanweisung

Operating Instructions

Mode d'emploi

Istruzioni per l'uso

Instrucciones para el uso

Gebruiksaanwijzing

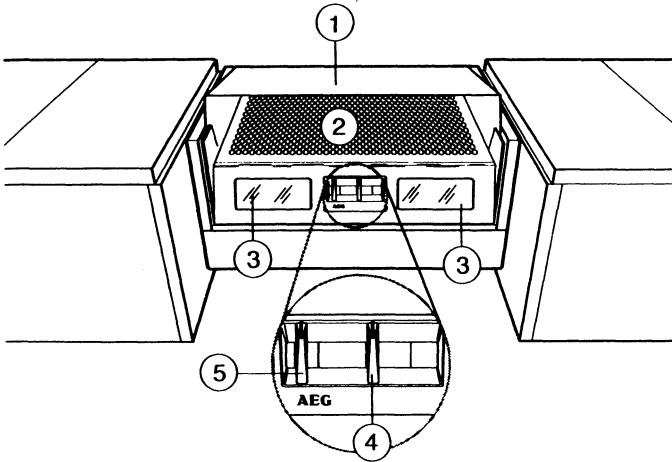
Contents

Description of the appliance	13
General details	13
Extractor version	13
Filter version	14
Safety warnings for kitchen unit installer	14
Electrical connections	15
Safety warnings for electrician	15
Safety warnings for user	16
Hood operation	17
Care and Maintenance	18
Grease filter	18
Active carbon filter	19
Cleaning	19
Replacing the lamps	19
Technic details	20
Special Accessories	20
Technical Assistance Service	20



Description of the appliance

- 1) Pull-out panel
- 2) Grease filter support grid
- 3) Hob light
- 4) Fan speed cursor
- 5) Light switch



General details

The hood is supplied in the external evacuation version, but may also be used with the internal recycling function by inserting an active carbon filter (Special accessories).

Exhaust vapours are pushed outwards by means of a pipe.

If the exhaust pipe is in a horizontal position, it must be inclined upwards at a angle of 10° so as to guarantee better evacuation.

To connect the fan hood to the telescopic wall pipe, we recommend the use of non-inflammable tubes E-Nr. 610 199 007 or 610 899 005 (120 mm or 100 mm diameter) which are supplied as special accessories.

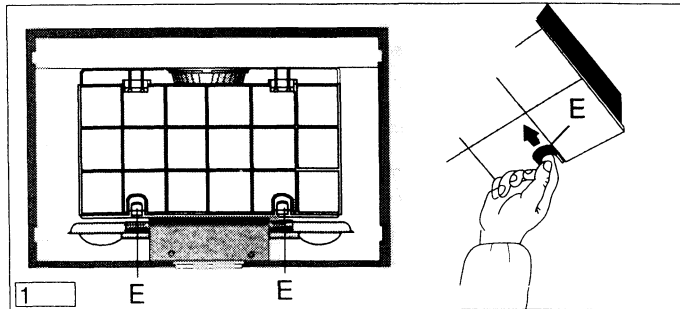
**Extractor
version**

Filter version

Exhaust vapours are purified by means of an active carbon filter (Special accessories) and directed back inside.

To insert the active carbon filter, remove the grease filter grid.

Fit the active carbon filter by inserting it first into the upper hooks and then into the lower ones; then lock into position by using the blocking tabs **E** (fig. 1).



The AEG original KLF 60/80 active filter carbon is necessary for the internal recycling function (see paragraph "Special accessories").

Safety warnings for kitchen unit installer

The air outlet must not be connected to chimney flues or combustion gas ducts. The air outlet must under no circumstances be connected to ventilation ducts for rooms in which fuel-burning appliances are installed.

It is advisable to apply for authorization from the relevant controlling authority when connecting the outlet to an unused chimney flue or combustion gas duct.

The air outlet installation must comply with the regulations laid down by the relevant authorities.

When the unit is used in its extractor version, a sufficiently large ventilation hole must be provided, with dimensions that are approximately the same as the outlet hole.

National and regional building regulations impose a number of restrictions on using hoods and fuel-burning appliances connected to a chimney, such as coal or oil room-heaters and gas fires, in the same room.

The local decree on fuel-burning systems specifies a maximum depression of 0.04 mbar in such rooms.

Hoods can only be used safely with appliances connected to a chimney if the room and/or flat (air/environment combination) is ventilated from outside using a suitable ventilation hole approximately 500-600 cm² large to avoid the possibility of a depression being created during operation of the hood.

If you have any doubts, contact the relevant controlling authority or building inspector's office.

Since the rule for rooms with fuel burning appliances is "outlet hole of the same size as the ventilation hole", a hole of 500-600 cm², which is to say a larger hole, could reduce the performance of the extractor hood.

If the hood is used in its filtering function, it will operate simply and safely in the above conditions without the need for any of the aforementioned measures.

When the hood is used in its extractor function, the following rules must be followed to obtain optimal operation:

- short and straight outlet hose
- keep bends in outlet hose to a minimum
- never install the hoses with an acute angle, they must always follow a gentle curve only
- keep the hose as large as possible (100 or 120 mm Ø min.).

Failure to observe these basic rules will drastically reduce the performance and increase the noise levels of the extractor hood.

Electrical connections

Check that the power supply voltage shown on the rating plate corresponds to the mains supply before proceeding to make any electrical connections. If the unit is supplied ready-fitted with a plug, it can be connected to any easily accessible socket installed in compliance with the regulations in force.

If a fixed connection is required, the hood must be installed exclusively by an electrician registered with the local electrical company. The hood should be installed using an omnipolar switch with contacts that open to at least 3 mm.

Fused switches can be used for this purpose (with cartridge fuses that can be extracted from the fuse holder), as can automatic circuit breakers and contactors which open to more than 3 mm.

We decline all responsibility for any problems or faults caused by a failure to observe the above instructions.

**Safety
warnings
for electrician**

Installing the socket directly above the hood or above the wall unit mounted above the hood offers the following advantages:

1. The socket cannot be seen.
2. The unit can be disconnected whenever required by simply taking out the plug.

Electrical connections

230 V - using fixed power supply line with plug.

240 V - using fixed power supply line (Great Britain).

(The unit should only be connected up by an authorized electrician).

The unit is screened against radio interference in compliance with European Community directives 87/308 EWG, EN 550141 DIN VDE 0875 Part 1.

Safety warnings for user

The hood is fitted with a variable speed motor.

The most effective use of the hood is obtained by switching it on a few minutes before you start cooking and leaving it on for approximately 15 minutes after you have finished, thus ensuring all cooking odours are eliminated.

Never leave a cooking hob or ring on without a pot or pan on top of it, to avoid the possibility of excess heat damaging the unit. Gas, oil or coal cooker flames in particular should never be left uncovered.

Special care should be taken when using deep fat fryers since the oil in them can overheat and burst into flames.

The risk of a fat fire increases when using dirty oil.

It is extremely important to note that overheating can cause a fire.

Never carry out any flambé cooking under the hood.


Always disconnect the unit from the power supply before carrying out any work on the hood, including replacing the light bulb (take the cartridge fuse out of the fuse holder or switch off the automatic circuit breaker).

It is very important to clean the hood and replace the filter at the recommended intervals. Failure to do so could cause grease deposits to build up, causing a fire hazard.

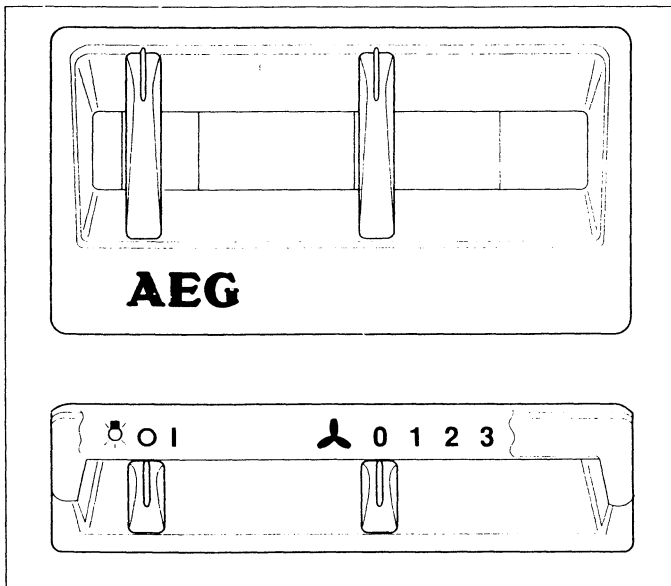
Hood operation

The control panel of the fan hood is on the front of the appliance (see pag. 13).

The two cursor switches are for the various fan functions: one is for the fan speed and the other is for the hob light.

The button with the “” symbol is used to adjust the fan speed or intensity. It is advisable to use low speeds when cooking food that produces an average amount of steam and odour; the more steam and odour there is, the higher the speed should be.

The button with the “” symbol is for switching on and off the hob light.



Moreover, the fan hood is equipped with a micro-switch which can be found under the lower runner of the pull-out panel on the right hand-side. With this micro-switch, the appliance may be automatically switched on and off by opening and closing the pull-out panel, but only if the fan speed has already been set and the light button is turned to “1”.

Care and Maintenance

Always turn off the appliance before carrying out any repair or maintenance work. For safety reasons, unplug at the wall socket.

Grease filter

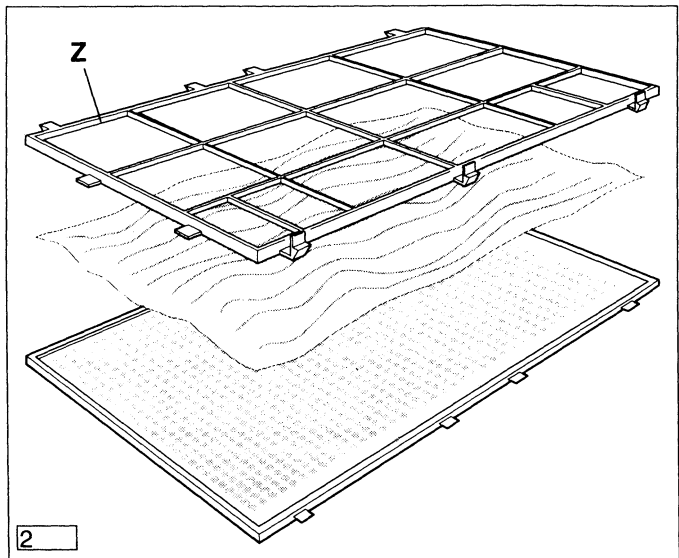
The purpose of the grease filter is to aspirate grease particles which form during cooking and it should always be used, either in the external evacuation or internal recycling function.

The synthetic filter is thin (approx. 1 mm) and is found inside the grid.

It should be replaced as soon as internal discolouring becomes visible through the grid holes.

To remove the filter, proceed as follows:

- a) remove the grid;
- b) take out the dirty filter once the plastic frame **Z** has been removed (figure 2);



- c) insert the new filter and refit the grid.

Whenever the filter is changed, clean the grid with warm water and a non-abrasive liquid detergent.

Grease filters can be ordered at any AEG customers' service centre.

This filter is used when the hood functions for internal recycling.

The original AEG active carbon filter should be used (see Special accessories).

It is neither washable nor re-usable.

In normal cooking conditions, we recommend that it be replaced every 4 months.

To replace the active carbon filter, push the locking tabs E inwards and the filter downwards (see diagram on pag. 14).

When ordering a new active carbon filter, indicate the model description and fan hood serial number. This information can be found on the data plate inside the appliance.

Filters can be ordered at any AEG customers' service centre.

Warning: always disconnect the hood from the mains power supply before cleaning it.

Never insert pointed objects in the motor's protective grille.

Wash my outside surfaces using a delicate detergent solution. Never use caustic detergents or abrasive brushes or powders.

Only ever clean the switch panel and filter grille using a damp cloth and delicate detergents.

It is extremely important to clean the unit and change the filters at the recommended intervals. Failure to do so will cause grease deposits to build up that could constitute a fire hazard.

Always turn off the electricity before replacing lamps:

- 1) Remove the grid in order to check the lamps and replace them if necessary.
- 2) Unscrew the lamps that do not work and replace them with 40W max lamps (E14).

If the light does not function, check that the lamps are properly screwed before contacting a customers' service centre.

Attention

Failure to observe the instructions on cleaning the unit and changing the filters will cause a fire hazard. You are therefore strongly recommended to follow these instructions.

Active carbon filter

Cleaning

Replacing the lamps

Technic details

Weight:	330 D	430 D
Net:	9,7 Kg	8,9 Kg

Maximum absorbed power: 220 W

Motor absorption: 140 W

Lighting: 2 x 40 W (E14)

Fan powers (speed), speed in compliance with DIN 44971

Level:	1	2	3
Extractor:	152 m ³ /h	208 m ³ /h	292 m ³ /h
Version:	120 m ³ /h	191 m ³ /h	233 m ³ /h

Special accessories

MKZ telescopic wall pipe	E-Nr. 610 899 004
120 mm outlet hose	610 899 007
100 mm outlet hose	610 899 005
Synthetic grease filter	610 899 220
Metal grease filter	610 899 240
KLF60/80 activated carbon filter	610 899 421

Technical assistance service

You are welcome to telephone our technical assistance service (see list of technical assistance centres) whenever you need information or in the unlikely event of a fault.

When calling, please be ready to specify:

- 1. The model code number**
- 2. The serial number (E-Nr.)**
- 3. The manufacturing number (F-Nr.)**

This information is shown on the registration plate inside the unit behind the grease filter grille.

We reserve the right to change specifications and colours as a result of our policy of continuing technological development.

Bitte geben Sie unserem Kundendienst folgende Angaben bei einer Störung an:

If your appliance has a fault, please contact our service engineer and state the following numbers:

Veuillez donner les indications suivantes à notre service après-vente en cas de panne:

In caso di difetto vi preghiamo di comunicare al servizio tecnico assistenza clienti i seguenti dati:

Por favor indíqueme a nuestro servicio postventa los datos siguientes en caso de presentarse una avería:

Geef onze klantenservice bij een storing altijd het volgende op:

E-Nr. 610

F-Nr.

AEG Hausgeräte AG
Postfach 1036
D-90327 Nürnberg

© Copyright by AEG
H 260 270 800

L 416 Ed. 09/93