

381 D / 481 D

Built-in Fume Extractor Hoods

Installation and Operating Instructions



Contents

Safety instructions	Page
for the electrical installer	52
for the fitted kitchens technician	52/53
Before installation starts	
General	54
Description of appliance	54
Technical data:	
– Dimensions	54/55
– Connected load	56
– Ventilator performance	56
Ventilator air outlet	56
Accessories/installation materials	57
Preparing for installation	
– Preparing the outlet	57
– Preparing the wall shaft for the outlet	57
– Position of the outlet opening	58
– Preparing the ventilator	59/60
Installation	
– Integrated installation of the extractor hood into the cabinet or between two hanging cupboards (with hanging rails)	60/61
– Installation of the extractor hood on the wall	61–63
– Installation of the cabinet front with fume protection plate	63
– Additional installation work for circulatory operation	64
Safety instructions	
– for the user	65
Description and operation of the appliance	66
– Instructions: Pre- and after-running of fan	66
– Instructions: metal grease filter	66
– Instructions: active carbon filter	67
Care and maintenance	
– Taking out metal grease filter (cleaning)	67/68
– Replacing active carbon filter (only for ventilator operation)	68/69
– Replacing strip light	70
Cleaning	
– General instructions on cleaning	71
Special accessories	71
Customer service	
– Stating E-number and F-number in case of faults	71

Safety instructions

For the electrical installer

Sting the socket directly above the fume extractor hood or above the wall unit has two advantages:

1. **The plug socket is not visible.**
2. **You can easily de-energize the appliance where necessary by unplugging it.**

For the necessary fixed connection, the fume extractor hood may be connected only by an electrical installer registered with the electricity board covering your area. An isolating device is to be provided on the fixed wiring side.

Switches with a contact opening of more than 3 mm also apply isolating devices. These include line protection switches, fuses, and contactors (VDE 0730, s. 7. Part 1).

Connection

230 V~ via fixed supply lead with plug.

240 V~ via fixed supply lead (UK).

(Fixed connection to be made only by an approved electrical installer.)

This appliance complies with the radio interference suppression requirements of EC Directives 76/889 EC and 87/308 EC.

For the kitchen furniture installer

The exhaust air may not be introduced into a smoke flue or exhaust gas chimney.

Introduction of the exhaust air into a shaft used for ventilation of the installation spaces of firerooms is not permitted.

If the exhaust air is introduced into a non-operational smoke flue or exhaust gas chimney, it is advisable to seek the consent of the competent chimney-sweep.

The official exhaust air guidance regulations are basically to be complied with.

During operation as an exhaust air appliance, an adequate supply air opening of approximately the same size as the exhaust air opening is to be ensured.

According to the Provincial Building Regulations, the joint operation of fume extractor hoods and chimney-linked fireplaces, such as coal- or oil-fired ovens and gas heaters, in the same space is subject to specific restrictions.

In such spaces, the Fireplace Regulations only allow an under-pressure of max. 0.04 mbar.

The safe joint operation of chimney-linked appliances and fume extractor hoods is only guaranteed if space and/or dwelling (space/air interaction) are externally ventilated by a suitable supply air opening of around 500—600 cm² and an underpressure thereby avoided when the fume extractor hood is running.

In doubtful cases, please seek the advice and consent of the competent area chimney-sweep or the local building authorities.

Since, in spaces without fireplace, the rule is: "Supply air opening as large as exhaust air opening", the efficiency of the exhaust air device may be impaired by the greater opening of 500—600 cm².

Operation of the hood as a return air hood in such circumstances is safe and is not subject to the regulations noted above.

Operation of the fume extractor hood in return air mode is optimum only when the following are ensured:

- short, straight exhaust air runs
- as few pipe bends as possible
- running of pipes in flat arcs, not in acute angles
- as large as possible pipe diameters (basically min. 120 mm dia. for two-motor hoods).

Failure to observe these principles is inevitably associated with power losses and increased operating noise.

During installation of the fume extractor hood, the following minimum distances from the **upper edge of the hob to the lower edge of the fume extractor hood** must be complied with:

Electric cookers	650 mm
Gas cookers	650 mm
Coal- and oil-fired cookers	min. 700 mm

General

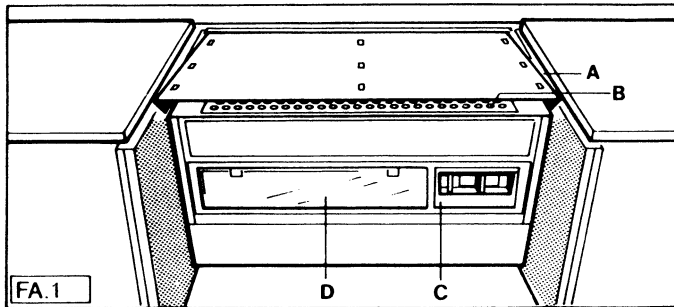
The fume extractor hood is supplied as an exhaust air appliance and may be used as a return air appliance through application of an active carbon filter (**special accessory**).

For this purpose, you need the AEG Original Active Carbon Filter (see special accessories).

Appliance description

- A** = Fume protection plate
- B** = Metal filter screen (grease filter)
- C** = Switch (fan, lighting)
- D** = Lighting

The extractor hood is switched on and regulated by means of the fume protection plate or alternatively the various switch elements.



Technical data

Dimensions:

381 D

Height	Width	Depth	(in mm)
400	598	270	

Weight:

Nett: 12.3 kilos

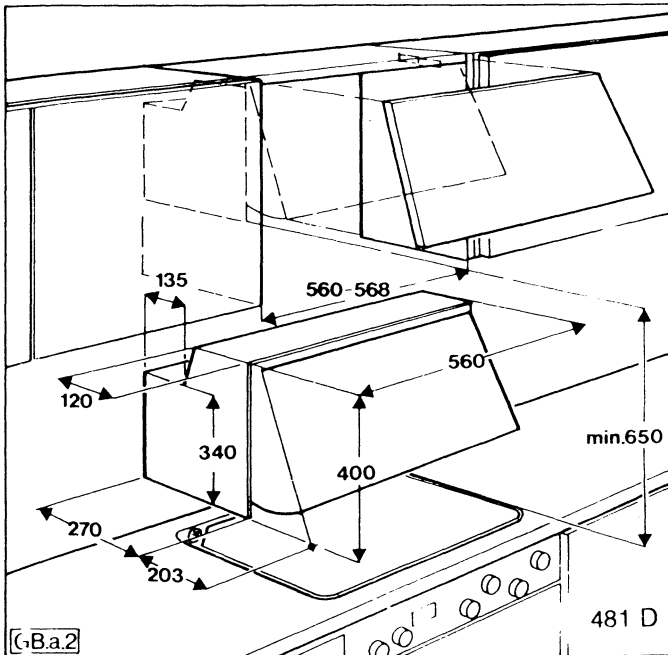
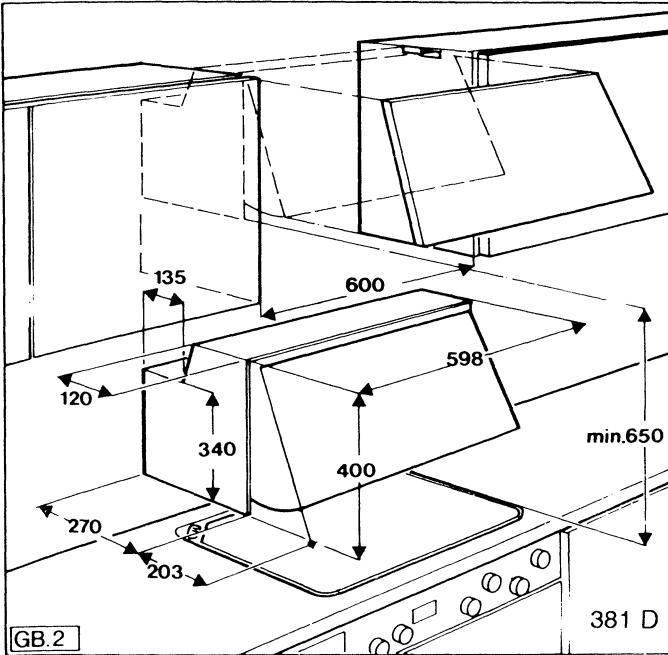
481 D

Height	Width	Depth	(in mm)
400	560	270	

Weight:

Nett: 11,7 kilos

**Dimensions of
appliance and
niche**



Technical data

Connected load: 381 D/481 D
Total load: 200 W
Fan motor: 186 W
Lighting: 11 W (fluorescent lamp)

Fan outputs (stages). Fan stages as defined in DIN 44971

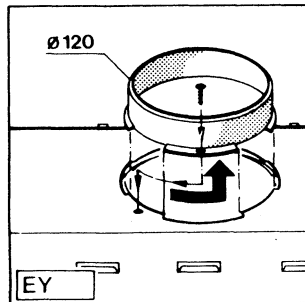
	infinitely variable	full power
Exhaust air:	120 m ³ /h-340 m ³ /h	560 m ³ /h
Return air:	100 m ³ /h-320 m ³ /h	430 m ³ /h

Exhaust air system 120 mm dia.

Air outlet

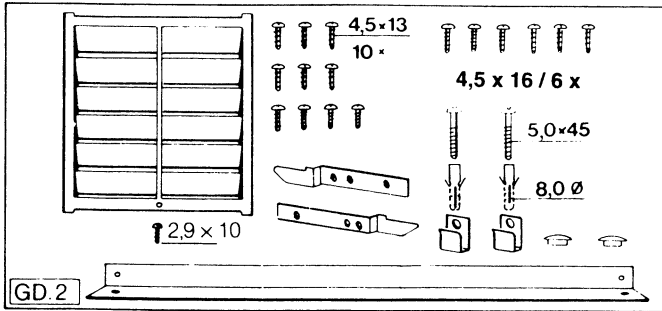
Air outlet arranged centrally above

Pipe connection of 120 mm dia. for exhaust air hoses of 120 mm dia, already attached to appliance.



Accessories/Installation materials

- 6 screws, 4,5x13 (for mounting furniture door)
- 2 screws, 5x45 (for wall hooks) (381 D)
- 2 plugs for above (381 D)
- 1 air outlet grille (with screw)
- 4 screws, 4,5x13 (for side mounting 381 D)
- 2 screws, 4,5x13 (for side mounting 481 D)
- 2 plastic covers for above
- 2 hanging rails
- 2 hooks (for wall mounting) (381 D)
- 6 screws, 4,5x16 mm (for hanging rails)
- 1 wall connector plate (381 D/481 D)
(already attached to appliance)



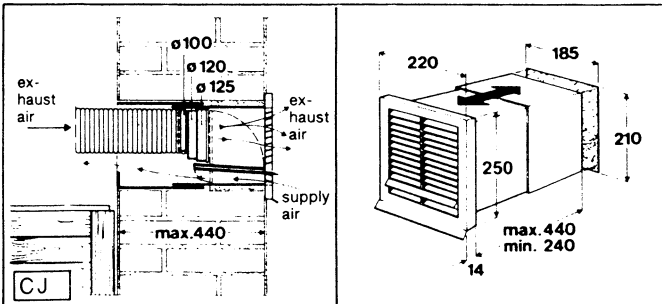
The fume extractor hood is factory-supplied for commissioning in **exhaust air mode**.

Prior to installation of the surrounding furniture, a hole should be arranged in the outer wall for the wall box (exhaust air/supply air).

If the kitchen fume is run out into the open air through the external wall box, you need a **type MKZ telescopic wall box (with exhaust and supply air) (E No. 610 899 004) (from our range of special accessories)**.

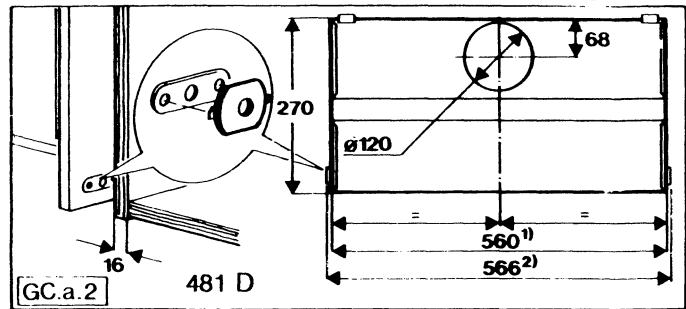
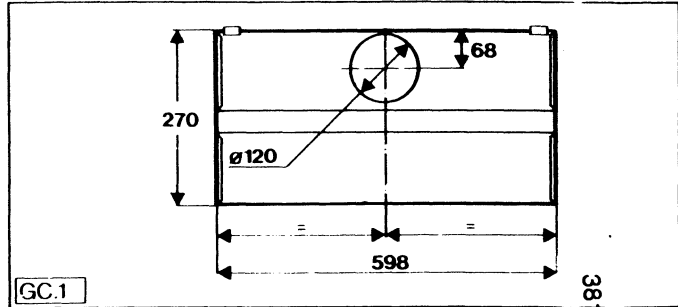
Preparing for exhaust air operation

Preparing the wall box (exhaust air operation)



**Position of the
air outlet
opening**

The dimensions and position of the air outlet opening can be seen from the following pictures.



- 1) 19 mm kitchen furniture side-wall thickness.
- 2) 16 mm kitchen furniture side-wall thickness.

If the side-wall thickness is 19 mm, remove the distance washers from the extractor hood (481 D) and from the two mounting hooks.

**Special
accessories
for exhaust air
hoses**

For wall box/fume extractor hood connection, it is best to use the non-flammable exhaust air hose under **E-No. 610 899 007** (120 mm dia.) from our range of special accessories.

We further recommend flame-retardant materials, such as KA piping.

The exhaust air union has a theoretical opening of 120 mm dia.

This can be used to fit exhaust air hoses of 120 mm dia.

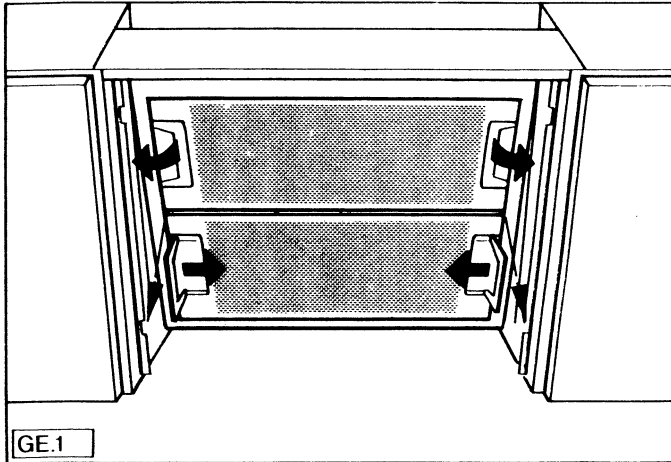
The extractor hood can be used as a re-circulating hood if no air-shaft or outside wall is available.

For use as a re-circulating hood it is necessary to fit the **KLF 60/80 active-charcoal filter, E-No. 610 899 411** for absorbing cooking fumes.

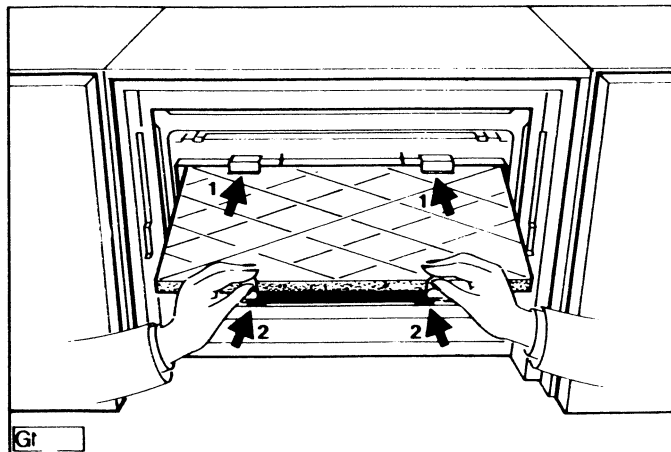
The KLF 60/80 active-charcoal filter is supplied as a special accessory (**at an extra charge**).

Follow these steps for fitting:

1. Remove the metal grease filter and take the grill off. Fold the grips upwards and pull them in. Take the grill out.



2. Fit the KLF 60/80 active-charcoal filter (special accessory) into the frame side (on top), press **the two red lugs** of the active-charcoal filter in and clip the active-charcoal filter in.



3. Re-insert the grease filter grill.

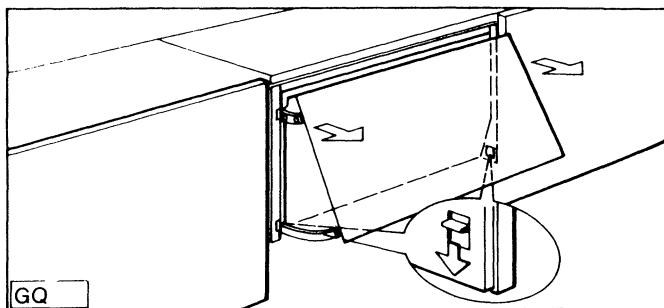
The extractor hood is now ready for use as a re-circulating hood!

To take the active-charcoal filter out, press in **the two red lugs** and pull the active-charcoal filter out of the housing.

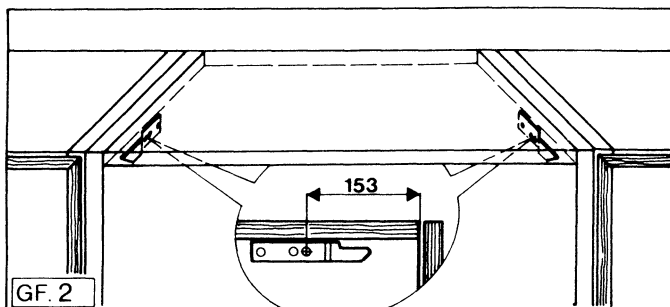
Installation

Installing the extractor hood in a cabinet (appliance width 560 mm) or between two hanging cupboards (appliance width 600 mm) (with hanging rails)

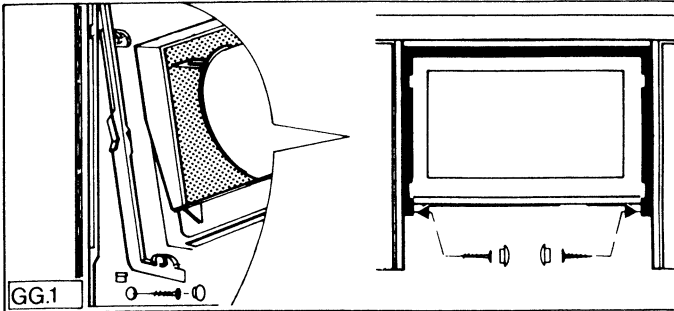
1. Remove the fume protection plate.



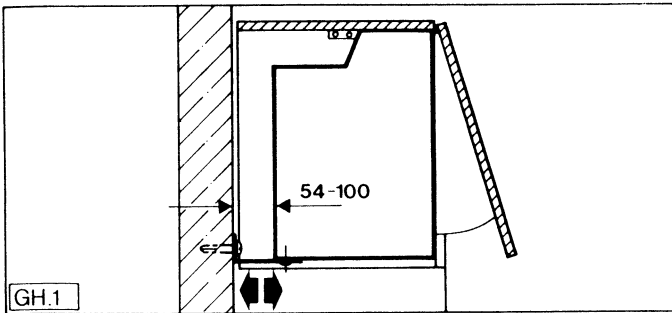
2. Mount the two hanging rails directly under the top of the cupboard (**appliance width 560 mm**), or underneath the edge of the cupboard (**appliance width 600 mm**), as shown in the illustration (3 screws, 4,5 x 16 mm). **Distance from first hole to front edge of the cupboard body is 153 mm.**



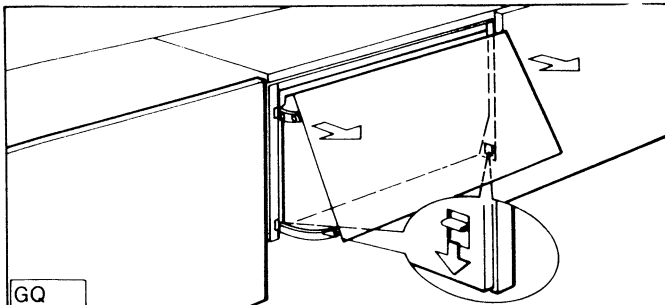
3. Push the extractor hood over the two hanging hooks and fasten it from underneath with the two screws (4.5 x 13 mm) (appliance width 560 mm).



4. Loosen the two screws on the wall skirting strip, push the skirting panel as far as it will go against the cupboard back wall, and tighten both screws again.

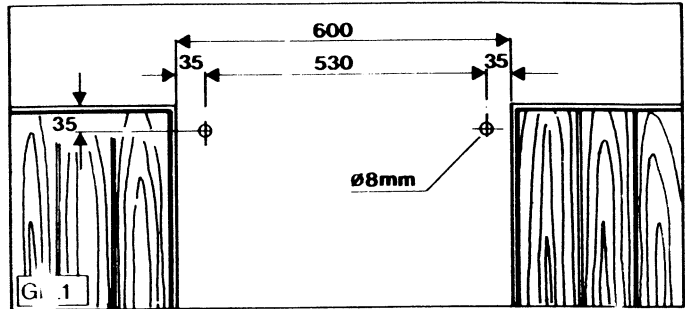


1. Remove the fume protection plate.

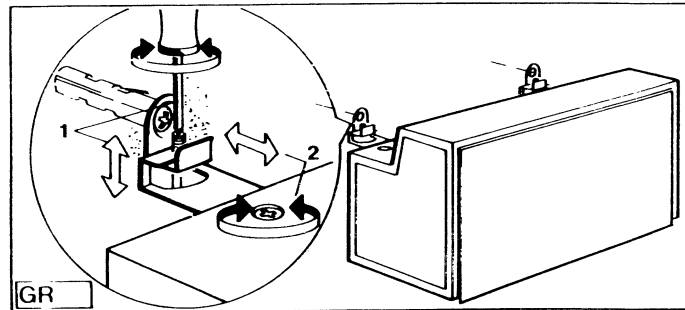


**Wall mounting
(appliance
width 600 mm)**

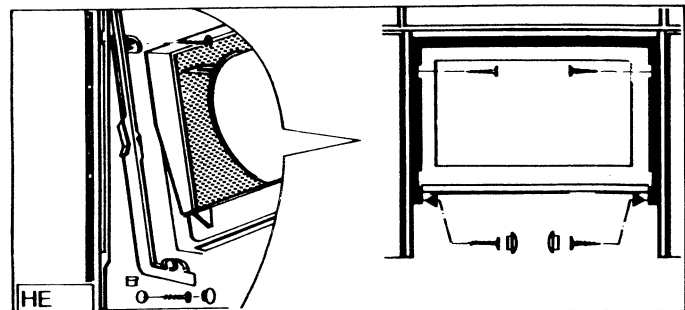
2. Fasten the wall hooks with the enclosed two 8 mm wall-plugs and 5.0 x 45 mm screws as shown in the illustration.



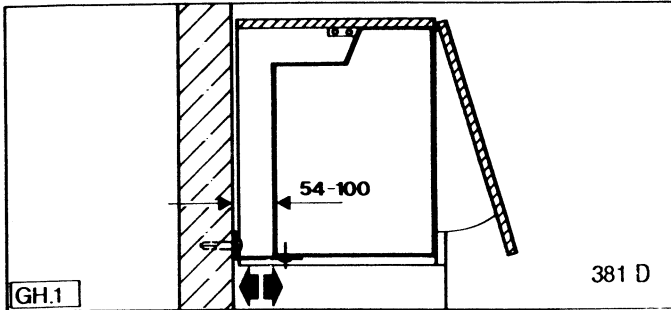
3. Hook the extractor hood into the wall hooks and adjust it exactly to the hanging cupboard using the adjustment screws (compensate for any differences in height or depth).



4. Fasten the extractor hood above and underneath (laterally) with two 4.5 x 13 mm screws each.



The wall skirting strip mounted on the appliance already by the manufacturer is additionally fixed to the wall with 2 screws using wall-plugs.

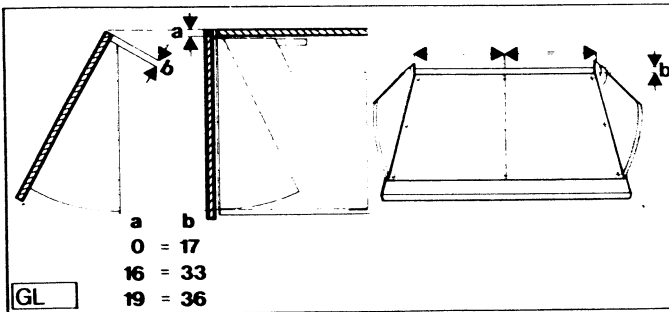


You will need 8 mm or 5 mm screws and wall-plugs.

Fitting the cabinet front to the fume protection plate of the extractor hood. Similar method for all models and all locations.

Fitting the cabinet front

1. Please ensure the correct distance between the plate and the upper edge of the cabinet door (depends on the thickness of the material and whether or not there is an upper shelf).



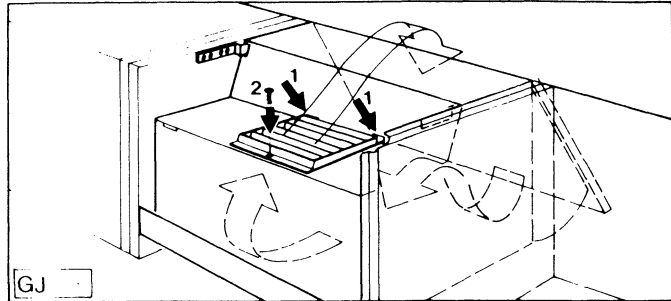
2. Fit the complete fume protection plate assembly into the extractor hood and fasten it with the 6 screws supplied (4.5 x 13 mm).

Check that the complete cabinet front is properly fitted by pulling it out as far as it will go.

Additional fitting work for re-circulating use

Go through the same stage of fitting as for extraction use, then also fit the air outlet grill.

1. When fitting in a hanging cupboard an aperture must be provided of 140 x 140 mm in the top of the cupboard.
2. Fasten the air extraction grill on the top side of the hood as shown in the illustration.



If this has not already been done during the preparatory work, it is essential to insert the active-charcoal filter KLF 60/80 E-No. 610 899 411.

Hello

Allow me to introduce myself: I am your new AEG fume extractor hood. From now on, I should like to help you keep your kitchen free from fume and fat deposits. Not simply because of my attractive appearance, but also thanks to my "intrinsic qualities". I am economical in terms of energy consumption, quiet, powerful, easy to operate, and simple to care for. If you carefully read and follow my operating instructions (maintenance) before first use, you are sure to be extremely satisfied with me.

Safety instructions

For the user

It must be ensured that hobs are always covered so that the appliance is not damaged by excessive heat liberation. Open fireplaces on oil-, gas-, and coal-fired cookers must be avoided.

During deep-frying over a cooker/hob, the appliance used for deep-frying must also be supervised during operation.

The oil contained in the deep-frying appliance may spontaneously ignite through overheating.

If contaminated oil is used, spontaneous ignition may occur even more readily.

It should be noted that overheating may cause a fire.

Flambe-cooking under the fume extractor hood is not allowed.

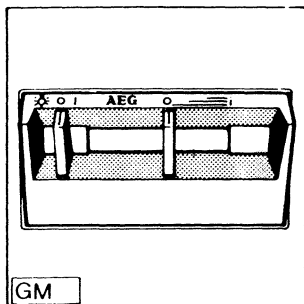
During all work on the fume extractor hood, also during bulb change, the appliance must be de-energized (by removing the fuses or otherwise disconnecting the appliance).




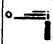
It is important to observe the filter change or cleaning intervals. Failure to observe these intervals may cause the risk of fire through fat deposition.

Starting up

My push-switches are arranged on the right-hand side.
The symbols have the following meanings:

Description of appliance



-  = Lighting
-  = On
-  = Off
-  = Full power setting

Operating

The fan can be regulated by pushing the slide switch. With my cabinet front you can switch the fan on and off while the fan motor is running.

The same also applies to my work-place lighting. This too can be switched on and off via the cabinet front while I am switched on

You should always turn on my full power setting  when there is a large quantity of fumes in the kitchen.

Pre- and after-running of fan

The fume extractor hood is to be switched on before cooking begins and allowed to run on around 15 minutes after cooking is completed.

Metal filter(s)

You should take out my metal filter(s) every four weeks and wash it (them) either in the dishwashing machine or by hand.

Hand-washing

Soak **metal filter cassette** for about one hour in hot water with a grease-loosening cleaner, then rinse off thoroughly with hot water. Repeat the process if necessary. Re-fit the cassette when it is dry.

Dishwashing machine

Place **metal filter cassette** in dish-washer. **Select most powerful washing programme and highest temperature, at least 65 °C.** Repeat the process. Re-fit the cassette when it is dry.

The active carbon filter must be changed not later than after 1 year.

The active carbon filter cannot be washed or regenerated.

Good deodorization is conditional upon a suitable active carbon volume (depending on the air capacity of your fume extractor hood) and specific arrangement of the active carbon filter in your fume extractor hood.

This combinations ensures a positive return air supply in contrast to exhaust air operation.

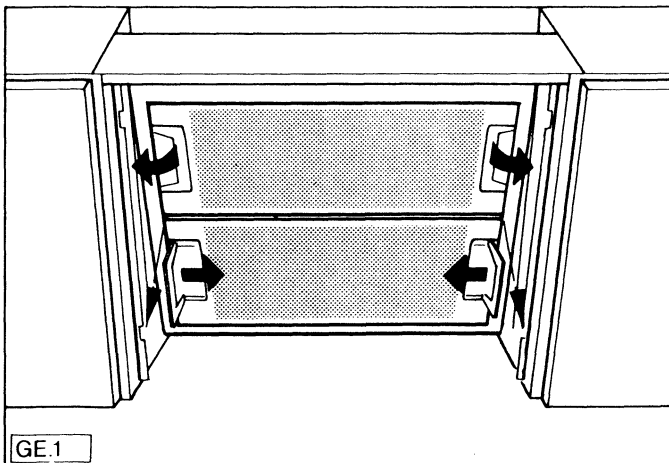
A decisive factor affecting deodorization is what is known as the dwell time of the aspirated air in the active carbon filter.

This dwell time can only be achieved with the AEG Original Active Carbon Filter (see Special accessories).

To take out and clean my metal grease filter screen, proceed as follows:

In order to avoid unintentionally switching on, screw my fuse out of its holder or take my fuse out of your main fuse-box.

1. Take off the metal grease filter grill. Fold the grips upwards and pull them inside, take off grill.



Instructions on active carbon filter

Cleaning the metal grease filter

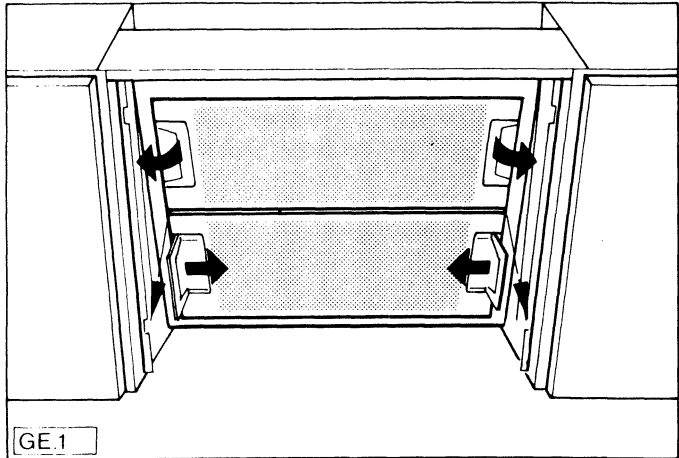
2. **Clean my internal housing only with warm washing-up water — do not use any harsh cleaners, brushes, or abrasives.**
3. After cleaning, put the metal grease filter back in position
4. Screw the fuse back in or replace the fuse in the main fuse-box.

Active-charcoal filter

To take out and replace the KLF 60/80 active-charcoal filter, E-No. 610 899 411, proceed as follows:

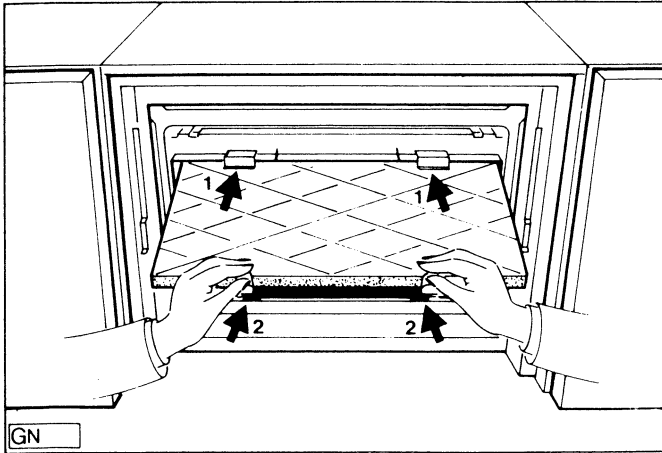
In order to avoid unintentionally switching on, screw my fuse out of its holder or take my fuse out of your main fuse-box.

1. Take off the metal grease filter grill. Fold the grips upwards and pull them inside, take off grill.



2. Take the old active-charcoal filter out of the extractor hood by pressing in the two red lugs (2) as in the illustration, and pull them out forwards.
3. **Clean my internal housing only with warm washing-up water — do not use any harsh cleaners, brushes, or abrasive.**

4. Fit the new active-charcoal filter first on the lamp side of the extractor hood (1) by pressing in **the two red lugs** (2) and clip the filter upwards into the extractor hood.



5. **Screw the fuse back in or replace the fuse in the main fuse-box.**
6. **Re-insert metal grease filter grill.**

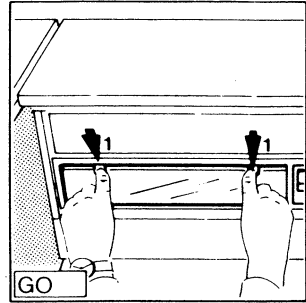
The extractor hood is now once again ready for use as a re-circulating hood.

Replacing fluorescent lamp

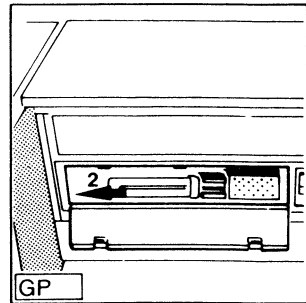
You can change the fluorescent lamp yourself.

Turn the current to the appliance off before changing the lamps!

1. Open the cover of the lighting by depressing the locking slide and folding the cover out downwards.



2. Pull my old lamp out of the holder and replace it with a new one.



CAUTION: Only ever insert fluorescent lamps with a maximum of 11 W into the holders!

3. Close my lighting cover by depressing the locking slide.

Screw the fuse back in or replace the fuse in the main fuse-box.

Cleaning

Important! To clean the fume extractor hood, de-energize the appliance (e.g. pull out the mains plug).

Never introduce sharp objects into the protective grille of the motor!

Clean the outer parts with a mild washing-up liquid solution. Never use abrasive cleaners, brushes, or scouring agents.

Clean the control panel screen and fat filter grille only with a damp cloth and mild washing-up liquid solution.

It is important to observe the filter change or cleaning intervals. Failure to observe these intervals may cause the risk of fire through fat deposition.

Special accessories

KLF 60/80 active carbon filter E No. 610 899 411

MKZ wall box E No. 610 899 004

(External dimensions
Opening

Height x width in mm
250 x 220
210 x 185)

Exhaust air hose E-No. 610 899 007
120 mm dia., aluminium

Customer service

In case of any enquiries and faults, please call our service centre (see list of service centres).

When calling, please state the following:

- 1. The model designation**
- 2. The E-No.**
- 3. The F-No.**

You will find these data on the nameplate after opening the fat filter grille inside the appliance.

In the interests of technical progress, the manufacturer reserves the right to make design and colour alterations without prior notice.

AEG

Geef onze klantenservice bij een storing altijd het volgende op:

Por favor indíquelo a nuestro servicio postventa los datos siguientes en caso de presentarse una avería:

If your appliance has a fault, please contact our service engineer and state the following numbers:

E-Nr. 610

F-Nr.

AEG Hausgeräte AG
Postfach 10 36
D-8500 Nürnberg 1

© Copyright by AEG

H 260 222 110 —

L 333C - ed. 3/93

AUS
ERFAHRUNG
GUT