

INSTRUCTION BOOKLET

**ZANUSSI**

**COOKER HOOD  
CWH 6065/9065X**

Thank you for buying a Zanussi product.

To enable you to use your appliance effectively and safely, please read this instruction book carefully before using the appliance and retain for future reference. If you require guidance in the use of the appliance or require further information on Zanussi Products, please contact our Customer Care Department.

Customer Care Department  
Zanussi Limited  
Zanussi House  
Hambridge Road  
Newbury  
Berkshire  
RG14 5EP

Tel: 01635 521313  
Fax: 01635 42970

**To register ownership, please ensure you complete and return the guarantee card supplied with the appliance.**

## **For the User**

### **Important Safety Information**

#### **Your Appliance**

Recirculation  
Extraction

#### **Operating Instructions**

Cooker Hood Controls  
To Operate

#### **Maintenance and Cleaning**

External Cleaning  
Metal Grease Filters  
Remove the Metal Grease Filters  
Charcoal Filter  
To Remove/Replace the Charcoal Filter  
Changing the Fluorescent Tube

#### **Something Not Working**

#### **Service and Spare Parts**

#### **Peace of Mind for Twenty Four Months**

Standard Guarantee Conditions

## **For the Installer**

### **Installation Instructions**

Technical Information

#### **Electrical Connections**

Electrical Requirements  
Electrical Connection

#### **Installing the Cooker Hood**

Installation Requirements  
Components for Installation  
Clearance Height  
Fitting the Wall Brackets  
Fitting the Canopy  
Venting  
Ducting  
Recirculation  
To Fit the Ducting  
To Fit in the Recirculation Mode  
Fitting the Telescopic Chimney

### **Guide to use the instruction book**

The following Symbols will be found in the text to guide you through the instruction book



Safety instructions



Step by step instructions

## IMPORTANT SAFETY INFORMATION

**These warnings are provided in the interests of your safety. Ensure that you understand them all before installing or using this appliance. Your safety is of paramount importance. If you are unsure about any of the meanings of these warnings contact the Customer Care Department.**

### ■ Installation

- Any installation work must be undertaken by a qualified electrician or a competent person.
- This hood must be installed in accordance with the installation instructions and all measurements must be adhered to.
- If the cooker hood is installed for use above a gas appliance then the provision for ventilation must be in accordance with the Gas Safety Codes of Practice BS.6172, BS.5440 and BS.6891 (Natural Gas) and BS.5482 (LP Gas) 1994, the Gas Safety (Installation & Use) Regulations, the Building Regulations issued by the Department of the Environment, the Building standards (Scotland) (Consolidated) Regulations issued by the Scottish Development Department.
- The fan motor of this cooker hood incorporates a cut-out device which will operate if the cooker hood is installed below the minimum height recommended under section 'Clearance Height', or if the motor becomes overheated. If the cut-out device is activated, switch off the fan motor and allow the cooker hood to cool. The cut-out device will reset itself when the fan motor has cooled significantly.
- It is dangerous to alter the specifications or modify this product in any way.
- When installed between adjoining wall cabinets the wall cabinets must not overhang the hob.
- If the room where the hood is to be used contains a fuel burning appliance such as a central heating boiler then its flue must be of the room sealed or balanced flue type.

- If other types of flue or appliances are fitted ensure that there is an adequate supply of air to the room.
- The ducting system for this appliance must not be connected to any existing ventilation system which is being used for any other purpose.
- Do not install above a cooker with a high level grill.

### ■ Child Safety

- This appliance is designed to be operated by adults. Children should not be allowed to tamper with the controls or play with the appliance.

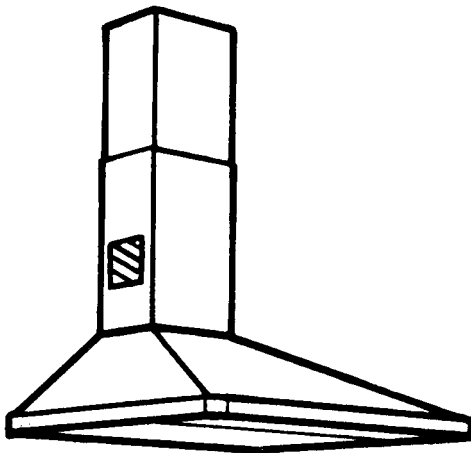
### ■ During Use

- This product is for domestic use only.
- Never leave frying pans unattended during use as over-heated fats and oils might catch fire.
- Never do flambé cooking under this cooker hood.
- Do not leave naked flames under the hood.

### ■ Maintenance and Service

- This appliance can be a hazard if the synthetic paper and charcoal filters are not replaced as recommended.
- Under no circumstances should you attempt to repair the appliance yourself. Repairs carried out by inexperienced persons may cause injury or more serious malfunction. Refer to your local Zanussi Service Force Centre. Always insist on genuine spare parts.

## YOUR APPLIANCE



The cooker hood is designed to extract unpleasant odours from the kitchen, it will not extract steam. The appliance can be installed to recirculate or extract contaminated air.

### Recirculation

The air is cleaned by passing through the filters and then back into the kitchen.

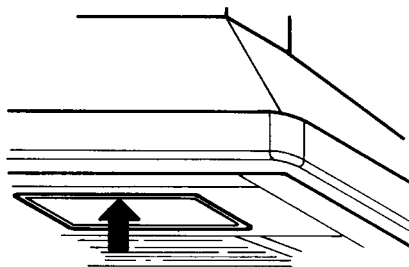
### Extraction

The contaminated air enters the hood passing through the grease filter and out through the ducting into the atmosphere.

## OPERATING INSTRUCTIONS

### Cooker Hood Controls

The cooker hood controls are located in a concealed control panel on the right hand side of the canopy, beneath the front trim. Apply slight pressure to the panel covering the controls and release. To close control panel just push it back in.



## To Operate

To obtain the best performance it is advisable to switch on the hood a few minutes before you start cooking and leave it running for approximately 15 minutes after finishing.

Open the control panel and select the required functions.

A. Light ON/OFF control

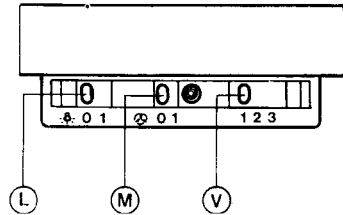
- 0 - Off
- 1 - On

B. Fan ON/OFF control

- 0 - Off
- 1 - On

C. Fan Speed control

- 1 - Low
- 2 - Normal
- 3 - Boost



When the red pilot light is on the cooker hood is in operation.



*When used in the ducting mode the charcoal filter is not required.*

*Never do flambé cooking under this cooker hood.*

*Never leave frying pans unattended during use as over-heated fats and oils might catch fire.*

*Do not leave naked flames under the cooker hood.*

*Ensure heating areas on your hob are covered with pots and pans when using the hob and cooker hood simultaneously.*

## MAINTENANCE AND CLEANING



*Before carrying out any maintenance or cleaning isolate the cooker hood from the mains supply.*

*The cooker hood must be kept clean, as a build up of grease or fat can be a fire hazard*

### External Cleaning

Wipe the cooker hood frequently with warm soapy water using a mild detergent.



*Never use scouring pads or abrasive cleaners.*

*Never use excessive amounts of water when cleaning particularly around the control panel.*

### Metal Grease Filter

The grease filter absorbs grease and dust during cooking to help keep the appliance clean inside, and should be cleaned approximately once every month or more often according to use.



#### Removing the Metal Grease Filters

1. Remove the metal grease filters one at a time.
2. Applying slight inward pressure to the metal bar situated in the slot, this will release the securing bolts.
3. Once the slot with the metal bar is released, the metal grease filter can be removed.
4. When replacing the filter panels ensure that the securing bolts face downwards.

The metal grease filters should be washed, by hand, in mild soapy water or in a dishwasher. Allow to dry completely before replacing.

## Charcoal Filter

In the recirculation mode the charcoal filter absorbs smells and odours.

The charcoal filter cannot be cleaned, we recommend it should be replaced approximately every three months or more often if used for more than three hours per day.



### To Remove/ Replace the Charcoal Filter

1. First remove the metal grease filters.
2. Unscrew the two screws located on each side of the charcoal filter.

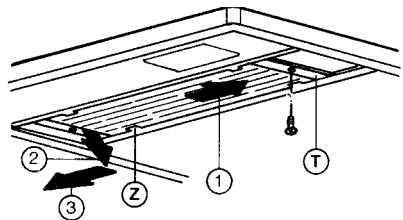


*This appliance can be a fire hazard if the grease and charcoal filters are not replaced as recommended.*



### To Change the Fluorescent Tube:

1. Remove the plastic cover (T).  
The glass strip is kept in position by retaining lugs (Z).
2. Move the glass strip forward the control box until the opposite end is free (arrow 1). Pull the glass strip slightly down (arrow 2) and then move it back toward the opposite direction (arrow 3) until the glass strip can be removed.
3. The tube can be removed by rotating it 90°.
4. Replace with a new tube of the same type and then refit the plastic cover by following instructions 1 and 2 in reverse.



## SOMETHING NOT WORKING

If, having followed these instructions carefully, your cooker hood fails to work properly please carry out the following checks.

<b>Symptom</b>	<b>Solution</b>
<b>The cooker hood will not start</b>	<ul style="list-style-type: none"> <li>• Check the hood is connected to the electricity supply.</li> <li>• Check that the fan speed control is set to 1, 2 or 3</li> </ul>
<b>The cooker hood is not working effectively</b>	<ul style="list-style-type: none"> <li>• The fan speed is set high enough for the task</li> <li>• The grease filter is clean.</li> <li>• The kitchen is adequately vented to allow the entry of fresh air.</li> <li>• If set up for recirculation, check that the charcoal filter is still effective.</li> <li>• If set up for extraction, check that the ducting and outlets are not blocked.</li> </ul>
<b>The cooker hood has switched off during operation</b>	<ul style="list-style-type: none"> <li>• The safety cut-out device has been tripped.</li> <li>• Turn off the hob and then wait for the device to reset.</li> </ul>

If after all these checks, the problem persists, contact your local Service Force Centre, quoting the model and serial number.

Please note that it will be necessary to provide proof of purchase for any in-guarantee service calls.

**In-guarantee customers should ensure that the above checks have been made as the engineer will make a charge if the fault is not a mechanical or electrical breakdown.**

## SERVICE AND SPARE PARTS

If you require an engineer or wish to purchase spare parts contact your local Service Force Centre by telephoning:

**0990 929929**

Your telephone call will be routed to your local Service Force Centre. For further details please see the accompanying customer care book.

For general assistance with your appliance or for information on Zanussi products please contact our Customer Care Department.

Customer Care Department,  
Zanussi  
Zanussi House  
Hambridge Road  
Newbury  
Berkshire  
RG14 5EP  
Tel: 01635 521313



## PEACE OF MIND FOR TWENTY FOUR MONTHS

### STANDARD GUARANTEE CONDITIONS

We, Zanussi Ltd., undertake that if within twenty four months of the date of the purchase this ZANUSSI built-in appliance or any part thereof is proved to be defective by reason only of faulty workmanship or materials, the company will, at our option repair or replace the same FREE OF ANY CHARGE for labour, materials or carriage on condition that.

- The appliance has been correctly installed and used only on the electrical supply stated on the rating plate.
- The appliance has been used for normal domestic purposes only, and in accordance with the manufacturer's operating and maintenance instructions.
- The appliance has not been serviced, maintained, repaired, taken apart or tampered with by any person not authorised by us.
- All service work under this guarantee must be undertaken by Zanussi Service Force Centre.
- Any appliance or defective part replaced shall become the property of this company.

Home visits are made between **8.30am and 5.30pm Monday to Friday**. Visits may be available outside these hours in which case a premium will be charged.

### EXCLUSIONS

#### **This Guarantee does not cover:**

Damage or calls resulting from transportation, improper use or neglect, the replacement of any light bulbs or removable parts of glass or plastic.

- Costs incurred for calls to put right appliances improperly installed or calls to appliances outside the United Kingdom.
- Appliances found to be in use within a commercial environment, plus those which are the subject of rental agreements.
- Products of Zanussi manufacture which are not marked by Zanussi Ltd.

This guarantee is in addition to your statutory and legal rights.

### ZANUSSI EUROPEAN GUARANTEE

If you should move to another country within Europe then your guarantee moves with you to your new home subject to the following qualifications:

- The guarantee starts from the date you first purchased your product.
- The guarantee is for the same period and to the same extent for labour and parts as exists in the new country of use for this brand or range of products.
- This guarantee relates to you and cannot be transferred to another user.
- Your new home is within the European Community (EC) or European Free Trade Area.
- The product is installed and used in accordance with our instructions and is only used domestically, i.e. a normal household.

**Before you move please contact your nearest Customer Care Centre, listed below, to give them details of your new home. They will then ensure that the local Service Organisation is aware of your move and able to look after you and your appliances.**

France	Senlis	+33 (0)3 44 62 29 99
Germany	Nurnberg	+49 (0)911 323 2600
Italy	Pordenone	+39 (0)1678 47053
Sweden	Stockholm	+46 (0)8 738 79 50
UK	Newbury	+44 (0)1635 521 313

## INSTALLATION INSTRUCTIONS



*It is dangerous to alter the specifications or attempt to modify this product in any way.*

### Technical Information

<b>DIMENSIONS</b>	HEIGHT CANOPY:	24 cm
	HEIGHT CHIMNEY - UPPER SECTION:	40 cm
	- LOWER SECTION:	36 cm
	WIDTH CANOPY:	60-90 cm
	DEPTH	49 cm
<b>ELECTRICAL SUPPLY:</b>	Voltage (50Hz)	220-240 V
<b>POWER CONSUMPTION:</b>		155 W
<b>FAN MOTOR:</b>		140W
<b>LAMP:</b>		15W
<b>MAX AIRFLOW</b>		650m <sup>3</sup> /hr
<b>MAX NOISE LEVEL:</b>		62db
<b>SUITABLE FOR INSTALLATION ABOVE:</b>	OVER ELECTRIC HOB:	7KW (max)
	OVER GAS HOB:	10KW (max)
	SLOT-IN GAS COOKER:	13.5KW (max)
	SLOT-IN ELECTRIC COOKER:	12.4KW (max)



**Note: CE Marking certifies that this appliance complies with the requirements laid down in EEC directive 89:336. (Electromagnetic compatibility) and subsequent modifications and Low Voltage directive 72/23/E.**

## ELECTRICAL CONNECTIONS



*This appliance must be earthed.*

### Electrical Requirements

Any permanent electrical installation must comply with the latest I.E.E. Regulations and local Electricity Board regulations. For your own safety this should be undertaken by a qualified electrician e.g. your local Electricity Board, or a contractor who is on the roll of the National Inspection Council for Electrical Installation Contracting (NICEIC).

### Electrical Connection


Before connecting to the mains supply ensure that the mains voltage corresponds to the voltage on the rating plate inside the cooker hood.

This appliance is fitted with a 3 core mains cable and must be permanently connected to the electricity supply via a double-pole switch having 3mm minimum contact gap on each pole. A Switched Fuse Connection Unit to BS1363 Part 4, fitted with a 3 Amp fuse, is a recommended mains supply connection accessory to ensure compliance with the Safety Requirements applicable to fixed wiring instructions.

This appliance conforms to BS 800: 1988 and EEC Directive No. 78 308 regarding suppression of radio and television interference.


## INSTALLING THE COOKER HOOD

Please ensure that when the appliance is installed it is easily accessible to an engineer in the event of a breakdown.

 All installations must comply with the local authorities requirements for the discharge of exhaust air.

*Incorrect installation may affect the safety of this cooker hood.*

### Installation Requirements

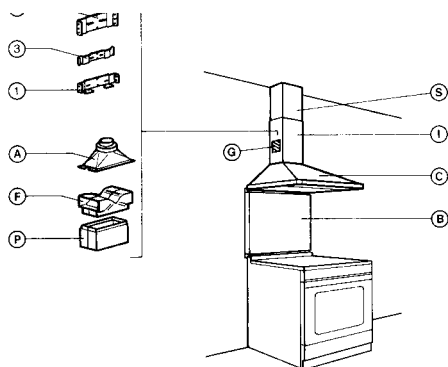
 Before installation check the wall to which the cooker hood is to be fitted for electric cables, water pipes or gas.

This cooker hood is designed to be fixed to any rigid vertical surface over a cooking area, and can be used in the extraction (ducted to the outside) or recirculation mode. (internal recycling).

The installation work must be undertaken by a qualified and competent person. The manufacturer disclaims any responsibility for damages due to incorrect installation of the cooker hood or if the hood is not installed in compliance with relevant regulations controlling this type of installation.

### The CWH 6065/9065 is Supplied with the Following Components for Installation:

1. A canopy (C), including controls, worktop illumination and fan unit.
2. A telescopic chimney stack consisting of:
  - U-shaped upper section (S)
  - U-shaped lower section (I)
  - 2 recirculation venting grilles (G)
3. 1 recirculation ducting spigot (F)
4. 1 extraction ducting spigot (A)
5. 1 fixing kit consisting of:
  - 3 wall brackets (1,2,3)
  - Rawlplugs and screws



## Clearance Height

The cooker hood is designed to be fitted over a cooking appliance at the clearance heights stated, providing the maximum output of the appliance beneath does not exceed the maximums quoted in the Technical Specifications.

If the output of the appliance below the cooker hood exceeds the maximum outputs quoted, please refer to the cooker manufacturer's installation instructions.

A minimum clearance height of 650mm (25 1/2") is required when installed above a built-in electric hob, or 700mm (27 1/2") when installed above a built-in gas hob.

A minimum clearance height of 685mm (27") is required when installed above a slot-in electric cooker, or 787mm (30 1/2") when installed above a slot-in gas cooker.

When installed between adjoining wall cabinets, the wall cabinets must not overhang the hob and the distance between the underside of the cabinet and the worktop must be 450mm. If the height of the wall cabinet is less than 450mm, a gap of 50mm must be maintained either side of the hob.

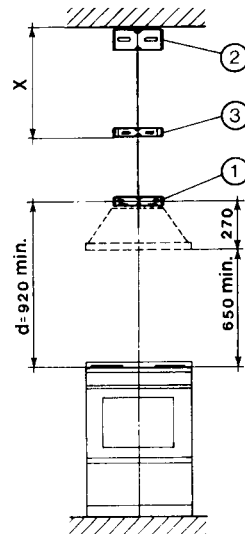
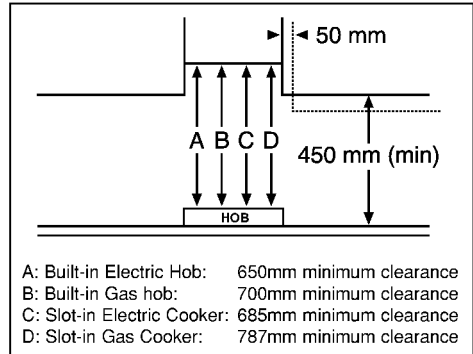


*This cooker hood must not be installed above a cooking appliance with a high level grill.*



## Fitting the Wall Brackets

1. Draw vertical line on the wall from the centre of the cooking appliance up to the ceiling, using a spirit level and marking pen. This is to ensure the correct vertical alignment of the appliance.
2. Fix wall bracket (1) to the wall aligning its marked centre across the vertical line. Ensure that the distance between the lowest point of the hood and cooking appliance beneath meet the clearance requirement quoted above.



\* Clearance Height as specified

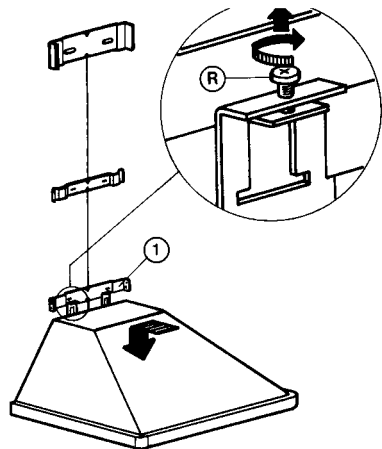
Note: Ensure that the wall bracket is levelled using a spirit level. The hood can be aligned or adjusted in height by rotating the adjustment screw.

3. Mark on the wall the centres of the two keyholes of the bracket.
4. Fix wall bracket (2) to the wall at about 1-2 mm from the ceiling or from the maximum height required, paying attention to the correct vertical alignment.
5. Mark on the wall the centres of the two keyholes of the bracket.
6. Fix wall bracket (3) to the wall paying attention to the correct vertical alignment at a 'X' distance measured as in Fig 2. The 'X' distance being equal to the upper section (S), it can vary according to the different height of this section needed to suit the ceiling height.
7. Mark on the wall the centre of the two keyholes of the bracket.
8. Pilot drill all the holes positions as marked on the wall using 8mm drill. Fix the wall brackets (1,2,3) using the 8mm rawplugs and screws supplied.




### Fitting the Canopy

1. Rotate halfway the two screws (R) positioned on the hanging lugs of the canopy.
2. Hook the canopy on to the wall bracket (1) ensuring that the two lugs of the bracket are fitted on the keyhole fixing points of the canopy and push downwards as allowed by adjustment screws.
3. The canopy can be aligned or adjusted in height using the two adjustment screws.
4. Carry out the electrical connection as instructed. Once the electrical connections have been completed, check the worktop illumination, motor and motor speeds work properly.



## Venting

The hood is more effective when used in the extraction setting (ducted to the outside).

 *The ducting used must be manufactured from fire retardant material.*

## Ducting

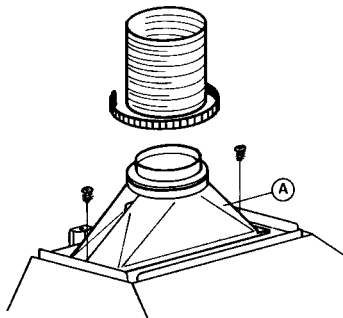
The ducting must be fire retardant 125mm (5ins) in diameter and the length should be no more than:

3 metres with one 90° bend

2 metres with two 90° bend

Bends of more than 90° will reduce the efficiency of the hood and reduce the airflow.

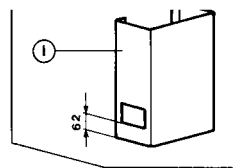
1. Remove the two screws on top of the canopy and secure the spigot, fit the spigot (A) on the rectangular air outlet on the top of the canopy using the two screws.
2. Connect the ducting to the ducting spigot (A) using suitable clamps (not supplied).
3. The charcoal filter is not required when installed for extraction.  
(To remove see maintenance and cleaning section).



## Recirculation

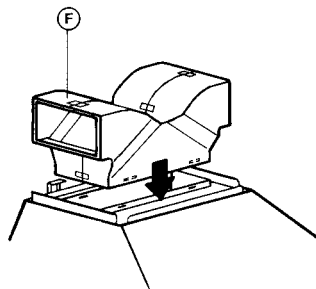
The charcoal filter must be fitted for recirculation.

When the hood is installed in the recirculation mode, the air is recirculated into the kitchen through the two venting grilles located on either side of the lower U-shaped section.



## To fit the recirculation mode

1. Fit the recirculation spigot (F) to the rectangular outlet on top of the canopy and push it down ensuring that the 4 lugs are fitted into the holes.
2. Fit the charcoal filter inside the canopy





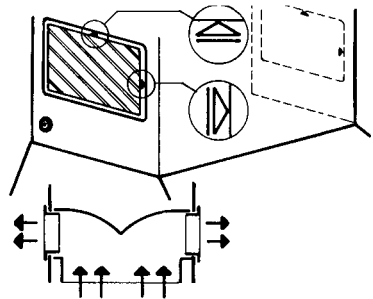
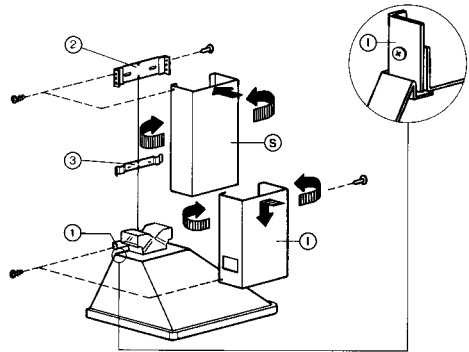
## Fitting the Telescopic Chimney

The chimney stack consists of two 2 U-shaped sections and it is adjustable to different heights.

1. To fit the upper section (S) first widen the two sides of the section slightly so that they can be clamped to the wall brackets (2 and 3) and then ensure that they are correctly fastened
2. The upper section is fixed to the wall bracket (2) by its upper corners. Secure the upper section to the bracket (2) using two screws provided with the fixing kit.
3. The lower section (I) of the chimney stack can be fixed in a similar way between the wall brackets (1 and 3) and the wall, paying attention to fit the lower part of the section into the recess of canopy.
4. Then fix the lower section (I) to the wall bracket (1) using the two remaining self tapping screws.

**Note:** The upper (S) and lower (I) sections are fixed to the wall bracket in the middle (3) through a spring and the connection is made by pushing both sections firmly towards the centre.

5. Fit the two venting grilles on both sides of the chimney stack, paying attention that the mark ^ is positioned on the upper part and the mark > is positioned toward the front part. When the hood is to be used in the recirculation mode ensure that both grilles fit properly to the recirculation spigot.





Dir. 89/336/CEE  
73/23/CEE