

**ZANUSSI**

---

**Instructions  
for the use and care  
of IH6013 integrated  
cooker hood**

---

# Contents

<b>Technical data</b>	Page 3
<b>Installation</b>	Page 4
Installing for extractor venting	Page 5
Installing for recirculation	Page 6
Wall mounting	Page 7
Fitting the decorative frontal panel	Page 8
Electrical connection	Page 9
<b>Operating instructions</b>	Page 10
<b>Care and cleaning</b>	Page 11
Cleaning the grease filter	Page 12
Replacing the activated charcoal filter	Page 13
Replacing the light bulb	Page 14
<b>Servicing</b>	Page 15

# Technical Data

# IH6013

Width 600 mm  
Depth 275 mm - adjustable to 375 mm  
Height 450 mm - adjustable to 650 mm

## Decorative frontal panel size:

Width 600 mm  
Height min. - 450 mm max. - 650 mm  
Thickness min. - 16 mm max. - 21 mm  
Airflow 312m<sup>3</sup>/h  
Air pressure 32 mm H<sub>2</sub>O  
Upper extractor outlet size 120 mm or 100 mm diameter  
Rear extractor outlet size 120 mm diameter  
Lighting 2 x 40W candle bulbs  
Motor rating 135W  
Total power absorbed 215W  
Supply voltage 220 - 240V  
Supply frequency 50Hz

## Performance Table

Motor Speed	Airflow M <sup>3</sup> /h			Decibel (noise) dB			Motor Rating W.		
	Top Duct	Rear Duct	Recircl.	Top	Rear	Recircl.	Top	Rear	Recircl.
1	154	148	139	43	44	43	65	65	65
2	212	205	179	49	50	50	87	85	85
3	312	298	225	52	53	53	116	110	110

# Installation

The hood has been designed for use in either an extraction or re-circulation method.

When used as an extractor ducting to external atmosphere may be either from the top or rear.

When used for re-circulation a replaceable activated charcoal filter eliminates the need for ducting.

It is important in either case that the kitchen be well ventilated and where necessary, fit a grille on the door of the kitchen in order to ensure the entry of fresh air.

3. Grille incorporating grease filter
4. Light bulbs
5. Fan
6. Lower mounting bracket
7. Upper mounting brackets

X. Mounting brackets are adjustable up to 100 mm.

Y. Depth of hood is adjustable from 275 mm to 375 mm. (excluding decorative frontal panel).

Z. Decorative frontal panel height 450 mm min. 650 mm max.

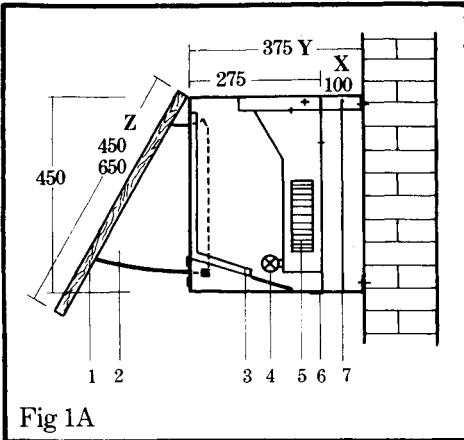


Fig 1 A

1. Decorative frontal panel
2. Vapour guide visor and support for decorative frontal panel

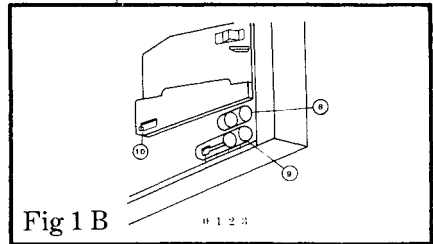


Fig 1 B

8. Light switch.
9. Motor speed control switch.
10. Decorative frontal panel weight adjustment switch.

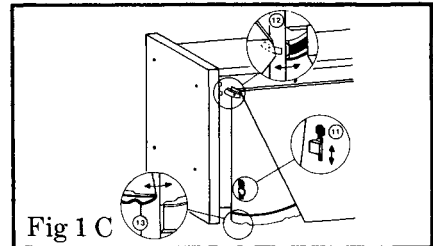


Fig 1 C

11. Vapour guide Visor release button.
12. Top hinge guide system.
13. Lower hinge guide system.

# Installing for Extractor Venting

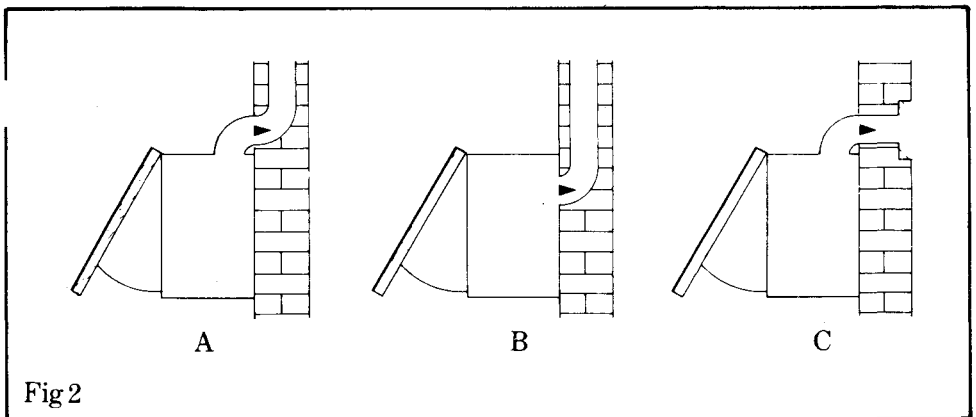
The hood may be ducted into a ventilation shaft either from the top (fig 2A) or from the rear (fig 2B) by the use of smooth surface ducting of either 120 mm or 100 mm diameter. Ducting should always be kept as short as possible with a minimum number of bends.

Alternatively venting may be directed to the outside via a special wall outlet with non-return valve or louvred slats (fig 2C).

A 120 mm to 100 mm connecting reducer spigot is supplied with the hood. Never duct into a hot air flow (e.g. heating vent).

When connecting the ducting to the hood, ensure that the unused outlet of the hood is closed by using the snap-shut plug provided.

The hood is supplied with an activated charcoal filter which is not required when used as an extractor and should be removed if fitted. To remove this filter follow the removal steps in the section entitled 'replacing the activated charcoal filter' (page 13).



## **Installing for Re-circulation**

When the hood is to be installed for re-circulation ducting to the external atmosphere is not required. Instead, one outlet to the top or rear of the hood should be left open to allow the filtered air to vent back into the kitchen. The other outlet should be closed by using the snap-shut plug provided.

When mounting to the wall or adjacent units, ensure that the open outlet is not obstructed and that the re-circulated air is allowed free upward exit.

Finally, ensure that the activated charcoal filter is in position and if not fit the filter following the steps outlined in the section entitled 'Replacing the activated charcoal filter' (Page 13).

# Wall Mounting

The hood can be fixed either to a wall, between two wall units or to both walls and wall units.

The recommended distance between the cooking surface and the underside of the hood should be 70 cm. for electric hobs and 90 cm. for gas hobs.

Where the hood is to be mounted beneath an upper wall unit allow a clearance of approximately 3 mm. between the top of the decorative frontal panel and the bottom of the upper wall unit door to enable the decorative frontal panel to operate (Fig. 3).

The procedure for wall fixing is as follows:

Mark the position of the hood onto the wall and adjacent wall units. Remove the lower angular mounting bracket from the base of the hood and mark its position on the wall.

If the hood is to be mounted close to the wall then the longer

side of the bracket should be fixed to the wall and vice versa.

Drill 8 mm. holes and fix the lower angular mounting bracket with the wall plugs and screws supplied.

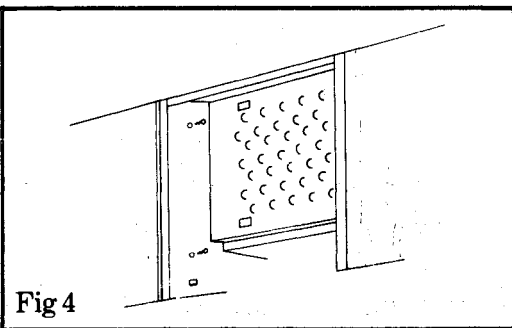
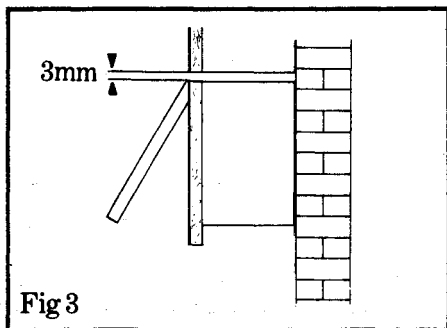
Locate the hood onto the lower angular mounting bracket and mark the position of the upper mounting brackets.

Drill 8 mm holes and fix the top mounting brackets with the wall plugs and screws supplied. Align the hood with adjacent units and secure to the mounting brackets.

Fixing to adjacent wall units is accomplished by screwing into the end panels of the wall unit.

Remove the grille and vapour guide visor following the steps outlined in the section entitled "Fitting the decorative frontal panel" (page 8).

The hood is secured to the end panel of the adjacent wall units by screwing through the pre-drilled holes in the hood side panels using the screws supplied (Fig. 4).



# Fitting the Decorative Frontal Panel

The decorative frontal panel should be between 16 mm to 21 mm thick and 450 mm to 650 mm high. With the hood mounted on the wall align the top of the panel with the top of the hood and mark the position of the frontal panel (Fig. 5).

Next remove the vapour guide visor. To do this first ensure that the electricity supply is disconnected and pull the vapour guide visor to the open position.

Next remove the grille by sliding the grille release slides (A Fig. 6) towards the centre of the hood and pull the grille down and out. Then push the visor release

slides (A Fig. 7) upwards and pull the visor outwards and downwards.

Position the visor on the inner surface of the decorative frontal panel to the marked lines and fix the visor to the panel with the screws supplied. Use holes 'A' (Fig. 8) for a short panel and holes 'B' for a tall panel.

Re-fit the visor by locating the top hinges (B Fig. 7) and then sliding onto the lower hinging brackets (C). Push the visor locking slides (A Fig. 7) downwards and refit the grille.

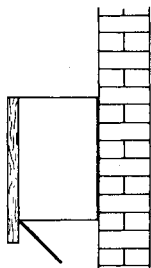


Fig 5

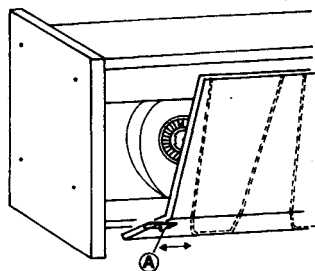


Fig 6

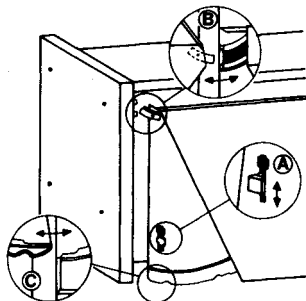


Fig 7

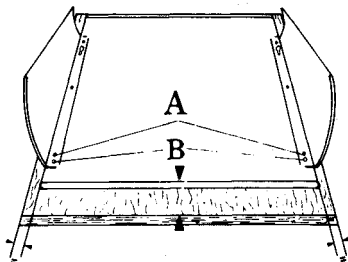


Fig 8



# Electrical Connection

**WARNING: This Appliance Must Be Earthed.**

The manufacturer declines to accept any liability should this safety measure not be observed.


The hood is designed to be connected to 220 - 240v 50Hz electricity supply. It is advisable that the connection be made above the hood in an accessible position.

## **IMPORTANT:**

The wires in this mains lead are coloured in accordance with the following code:

Green and Yellow	- Earth
Blue	- Neutral
Brown	- Live

The colours of the wires in the mains lead of your appliance may not correspond with the markings identifying the terminals in your plug or connection box; if so, connect as follows:

Connect the green and yellow (earth) wire to the terminal marked with the letter 'E' or the earth symbol  or coloured green.

Connect the blue (neutral) wire to the terminal marked with the letter 'N' or coloured black.

Connect the brown (live) wire to the terminal marked with the letter 'L' or coloured red.

If in doubt, consult a competent electrician.

This appliance complies with EEC directive No. 76/889 dated 4/11/1976 relating to the suppression of radio and TV interference.

## **Note:**

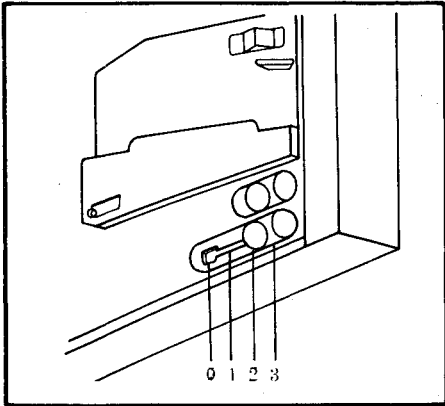
This appliance must be protected by a 3 A fuse if a 13 A (BS 1363) plug is used, or, if any other type of plug is used, by a 5 A fuse either in the plug or adaptor or at the distribution board.

This appliance must be connected to the supply through either a suitable 3-pin plug and socket or a double pole isolating switch.

# Operating Instructions

The hood has three operational motor speeds to allow you to select the most economical speed to overcome the cooking vapours produced.

The motor speed control switch has four positions:



To start the hood pull the lower edge of the decorative frontal panel to the fully open position. Slide the motor speed control switch to the desired setting and switch the light on.

Once you have set these switches the hood will function automatically - stopping when the door is closed and re-starting when the door is opened.

## IMPORTANT

The hood should never be used without a grease filter. If you have a gas hob ensure that the gas rings are functioning correctly and not producing long flames, or flames overshooting the sides of pans.

Do not flambe food beneath the hood.

Pan fires and open flames can damage the hood.

## Care and Cleaning

The external surfaces of the hood should be cleaned regularly using a lukewarm solution of water and mild soap then rinsed and dried carefully.

To obtain the best results from your hood regular maintenance and cleaning of the filters are essential.

When undertaking any maintenance it is advisable to remove the hood door to facilitate easy access.

To remove the hood door follow the steps outlined in the section entitled "Fitting the Decorative Frontal Panel" page 8.

### **IMPORTANT:**

Ensure that the electrical supply is disconnected prior to undertaking any kind of maintenance.

## Cleaning The Grease Filter

The hood is fitted with a filter for grease and fatty substances, which protects the motor from becoming greased-up. This filter should be washed at least once every two months, and replaced every six to twelve months.

To remove the grease filter, first remove the hood door (vapour guide visor) and grille following the steps outlined in the section entitled "Fitting the Decorative Frontal Panel" - page 8.

Then release the metal wires which hold the filter in position and remove the grease filter.

Wash the filter carefully in a lukewarm solution of water and a mild liquid detergent. Rinse thoroughly in lukewarm water and leave to dry flat. Do not wring. When dry, carefully reassemble onto the grille and re-fit.

The hood should never be used without a grease filter.

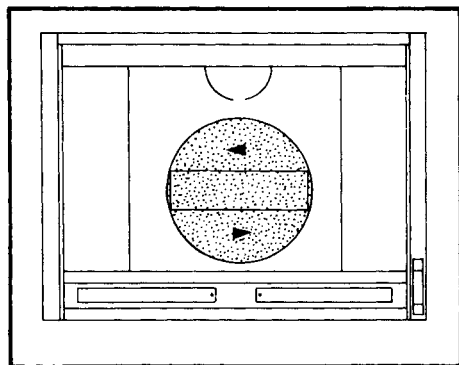
## Replacing The Activated Charcoal Filter

Where the hood is not ducted but operating in the re-circulatory method a replaceable activated charcoal filter is required to purify the air and neutralise smells and odours. The effective life of this filter depends on the type of cooking and on how regularly the grease filter is cleaned. In any event, the circular filter should be refilled or replaced at least once every four months.

To remove the activated charcoal filter first remove both door and grille. The circular filter is mounted onto the motor cowl and is removed by turning the filter in an anticlockwise direction.

The new filter is fitted by turning in a clockwise direction (Fig. 9).

Replacement filters are available from your retailer and your local Zanussi Network Service Centre.



## Replacing the Light Bulb

Carefully undo the screw from the light cover and remove by sliding towards the centre of the hood (fig.11) Unscrew the bulb and replace.

Replacement bulbs are available from your local Zanussi Network Service Centre.

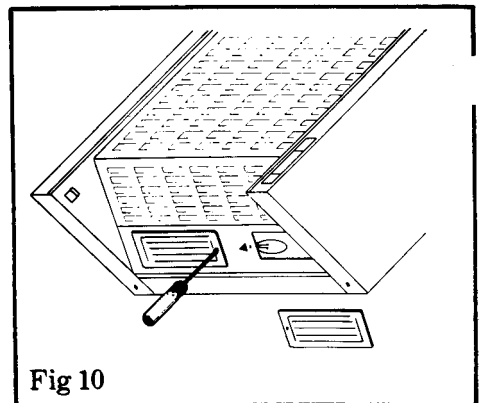


Fig 10

# Servicing

Should servicing be required for this appliance contact your local Zanussi Network Service Centre but before requesting service the following simple checks may save you inconvenience and expenses:

---



## **The cooker hood won't start**

### **Check that:**

the hood is connected to the electricity supply;

● the hood door is in the fully open position;

the motor speed switch has been selected and the light switch is on.

---

## **The cooker hood is not working effectively**

### **Check that:**

the motor speed control switch is on a fast enough setting for the task;

the grease filter is clean;

the kitchen is adequately ventilated to allow the entry of fresh air.

● If set up for re-circulation check that the activated charcoal filter is still effective.

If set up for extraction check that the ducting and outlet are not blocked.

