

*Thinking of you*

 **Electrolux**

USER MANUAL

EFC90950



**We were thinking of you**  
when we made this product

EN

IMPORTANT SAFETY INFORMATION	4
YOUR APPLIANCE	5
OPERATING INSTRUCTIONS	6
MAINTENANCE AND CLEANING	8
SOMETHING NOT WORKING	11
GUARANTEE/CUSTOMER SERVICE	12
GUARANTEE CONDITIONS	13
INSTALLATION INSTRUCTIONS	15
ELECTRICAL CONNECTIONS	16
INSTALLING THE COOKER HOOD	17

EN


## Welcome to the world of Electrolux

Thank you for choosing a first class product from Electrolux, which hopefully will provide you with lots of pleasure in the future. The Electrolux ambition is to offer a wide variety of quality products that make your life more comfortable. You find some examples on the cover in this manual. Please take a few minutes to study this manual so that you can take advantage of the benefits of your new machine. We promise that it will provide a superior User Experience delivering Ease-of-Mind. Good luck!

## Guide to use the instruction book

The following Symbols will be found in the text to guide you through the instruction book

 Safety instructions

 Step by step instructions

## IMPORTANT SAFETY INFORMATION

These warnings are provided in the interests of your safety. Ensure that you understand them all before installing or using this appliance. Your safety is of paramount importance. If you are unsure about any of the meanings of these warnings contact the Customer Care Department.

### ■ Installation

- Any installation work must be undertaken by a qualified electrician or a competent person.
- This hood must be installed in accordance with the installation instructions and all measurements must be adhered to.
- If the cooker hood is installed for use above a gas appliance then the provision for ventilation must be in accordance with the Gas Safety Codes of Practice BS.6172, BS.5440 and BS.6891 (Natural Gas) and BS.5482 (LP Gas) 1994, the Gas Safety (Installation & Use) Regulations, the Building Regulations issued by the Department of the Environment, the Building standards (Scotland) (Consolidated) Regulations issued by the Scottish Development Department.
- The fan motor of this cooker hood incorporates a cut-out device which will operate if the cooker hood is installed below the minimum height recommended under section 'Clearance Height', or if the motor becomes overheated. If the cut-out device is activated, switch off the fan motor and allow the cooker hood to cool. The cut-out device will reset itself when the fan motor has cooled significantly.
- It is dangerous to alter the specifications or modify this product in any way.
- When installed between adjoining wall cabinets the wall cabinets must not overhang the hob.
- If the room where the hood is to be used contains a fuel burning appliance such as a central heating boiler then its flue must be of the room sealed or balanced flue type.
- If other types of flue or appliances are fitted ensure that there is an adequate supply of air to the room.

- The ducting system for this appliance must not be connected to any existing ventilation system which is being used for any other purpose.
- Do not install above a cooker with a high level grill.

### ■ Child Safety

- This appliance is designed to be operated by adults. Children should not be allowed to tamper with the controls or play with the appliance.

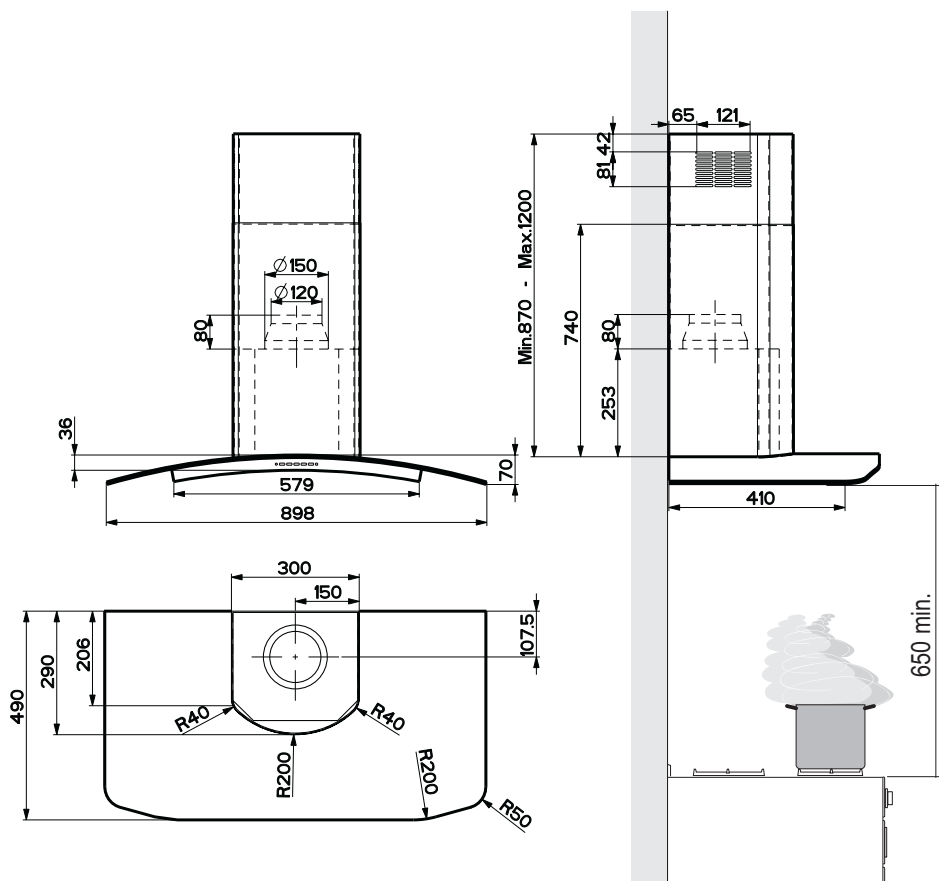
### ■ During Use

- This product is for domestic use only.
- Never leave frying pans unattended during use as over-heated fats and oils might catch fire.
- Never do flambé cooking under this cooker hood.
- Do not leave naked flames under the hood.
- This cooker hood is designed to extract unpleasant odours from the kitchen, it will not extract steam.

### ■ Maintenance and Service

- This appliance can be a hazard if the synthetic paper and charcoal filters are not replaced as recommended.
- Under no circumstances should you attempt to repair the appliance yourself. Repairs carried out by inexperienced persons may cause injury or more serious malfunction. Refer to your local Electrolux Service Force Centre. Always insist on genuine spare parts.

# YOUR APPLIANCE

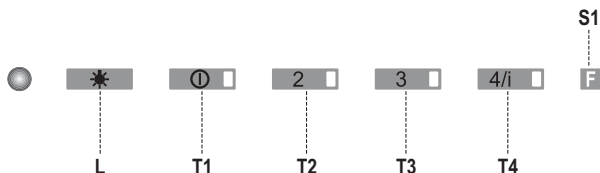


## OPERATING INSTRUCTIONS

The cooker hood is designed to extract unpleasant odours from the kitchen, it will not extract steam.

EN

The hood can be switched on pushing directly onto the requested speed without firstly having to select 0/1 button.



KEY	LED	FUNCTIONS
<b>L</b>	0/1 Light	Turns lighting on and off.
<b>T1</b>	0/1 Motor on	First speed. When pressed for about 1 seconds the motor is switched off.
<b>T2</b>	Speed on	Second speed.
<b>T3</b>	Speed on	Third speed.
<b>T4</b>	Speed Fixed Flashing	Max. speed Intensive speed. Suitable for the strongest cooking vapours and odours. The function becomes active when the button is pushed for about 2 seconds. After 10 minutes of functioning it turns off automatically. This function can be interrupted by means of pressing any of the buttons.
<b>S1</b>	Led Fixed Flashing	Indicates that the Metal grease filters saturation alarm has been triggered, and the filters need to be washed. The alarm is triggered after 100 working hours. (Reset; check the Maintenance-paragraph) indicates that the activated charcoal odour filter saturation alarm has been triggered, and the filter has to be replaced; the metal grease filters must also be washed. The activated charcoal odour filter is triggered after 200 working hours. (Activation and Reset; check the Maintenance-paragraph)

## To Operate

Select the required fan speed and light if required.


## Recirculation

In the recirculation mode the contaminated air enters the cooker hood through the grease filters. The air is cleaned by passing through the charcoal filters before being passed back into the kitchen through the grilles in either side of the chimney stack.

## Extraction

In the extraction mode the contaminated air enters the cooker hood passing through the grease filters and is passed out through the ducting into the atmosphere.

To obtain the best performance when cooking it is advisable to switch the cooker hood on for a few minutes before you start cooking and leave it running for about 15 minutes after finishing.

 *When used in the ducting mode the charcoal filters are not required.*

*Never do flambé cooking under this cooker hood.*

*Never leave frying pans unattended during use, as over-heated fats and oils can catch fire.*

*Do not leave naked flames under the cooker hood.*

*Ensure heating areas on your hob are covered with pots and pans when using the hob and cooker hood simultaneously.*

## MAINTENANCE AND CLEANING

EN

- ⚠ *Before carrying out any maintenance or cleaning isolate the cooker hood from the mains supply.  
The cooker hood must be kept clean, as a build up of grease or fat can be a fire hazard.*

### External Cleaning

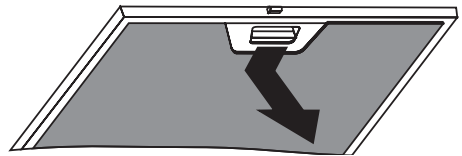
Wipe the cooker hood frequently with warm soapy water using a mild detergent.

- ⚠ *Never use scouring pads or abrasive cleaners.  
Never use excessive amounts of water when cleaning particularly around the control panel.*

### Metal Grease Filters

The filters are washable and must be cleaned when the **Led S1** lights up or at least every 2 months of operation, or more frequently for particularly heavy usage.

- 👉 **Remove the metal grease filters one at a time by:**  
Releasing the catches on the filters, the filters can be removed.



The metal grease filters should be washed, by hand, in mild soapy water or in a dishwasher. Allow to dry completely before replacing.

- 👉 **Alarm signal reset**  
Switch off the lights and extractor motor.  
Press Button **T3** for at least 3 seconds, until the leds start to flash.



**⚠** Before carrying out any maintenance or cleaning isolate the cooker hood from the mains supply.

### Charcoal Filters

In the recirculation mode the charcoal filters absorb smells and unwanted odours.

#### **👉** Enabling the alarm signal

- In Recirculation version Hoods, the Filter saturation alarm can be enabled on installation or at a later date.
- Turn the Lights and the suction Motor off.
- Disconnect the Hood using the Main switch or the double-pole switch on the mains power supply.
- Restore the connection by pressing and holding **T1**.
- Release the button. All five LEDs are turned on
- Within 3 seconds press **T1** until LEDs **T1** and **T4** flash in confirmation:
  - LED flashes twice - Activated charcoal filter saturation alarm ENABLED
  - LED flashes once - Activated charcoal filter saturation alarm DISABLED

The filter is not washable and cannot be regenerated. It must be replaced when led **S1** flashes or at least every 4 months. The alarm signal will only light up when the extractor motor is switched on.

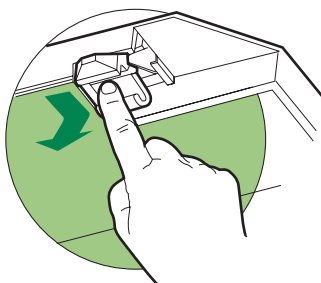
#### **👉** To Remove/Replace the Charcoal Filters

- Remove the metal grease filters
- Remove the saturated activated carbon filter by releasing the fixing hooks
- Fit the new filter by hooking it into its seating
- Replace the metal grease filters.

**⚠** *This appliance can be a possible fire hazard if the grease and charcoal filters are not cleaned and replaced as recommended.*

#### **👉** Alarm signal reset

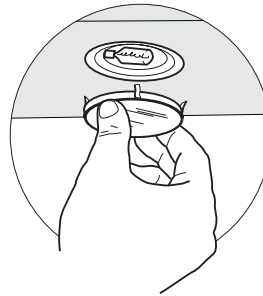
- Switch off the lights and extractor motor.
- Press button **T3** for at least 3 seconds, until the leds start to flash.





### **Changing the halogen light**

- Remove the snap-on lamp cover by levering it from under the metal ring, supporting it with one hand.
- Remove the halogen lamp from the lamp holder by pulling gently.
- Replace the lamp with a new one of the same type, making sure that you insert the two pins properly into the housings on the lamp holder.
- Replace the snap-on lamp cover.



EN

**Replacement filters and light bulbs can be obtained from your local Service Force Centre.**

## SOMETHING NOT WORKING

If, having followed these instructions carefully, your cooker hood fails to work properly please carry out the following checks.

EN

Symptom	Solution
<b>The cooker hood will not start</b>	<ul style="list-style-type: none"> <li>• Check the hood is connected to the electricity supply.</li> <li>• Make sure the switch is in the 'ON' position.</li> </ul>
<b>The cooker hood is not working effectively</b>	<ul style="list-style-type: none"> <li>• The fan speed is set high enough for the task</li> <li>• The grease filter is clean.</li> <li>• The kitchen is adequately vented to allow the entry of fresh air.</li> <li>• If set up for recirculation, check that the charcoal filter is still effective.</li> <li>• If set up for extraction, check that the ducting and outlets are not blocked.</li> </ul>
<b>The cooker hood has switched off during operation</b>	<ul style="list-style-type: none"> <li>• The safety cut-out device has been tripped.</li> <li>• Turn off the hob and then wait for the device to reset.</li> </ul>

If after all these checks, the fault persists, contact your local Service Force Centre, quoting the model and serial number.

Please note that it will be necessary to provide proof of purchase for any in-guarantee service calls.

**In-guarantee customers should ensure that the above checks have been made as the engineer will make a charge if the fault is not a mechanical or electrical breakdown.**

## GUARANTEE/CUSTOMER SERVICE

### Standard guarantee conditions

We, Electrolux, undertake that if within 12 months of the date of the purchase this Electrolux appliance or any part thereof is proved to be defective by reason only of faulty workmanship or materials, we will, at our option repair or replace the same **FREE OF CHARGE** for labour, materials or carriage on condition that:

- The appliance has been correctly installed and used only on the electricity supply stated on the rating plate.
- The appliance has been used for normal domestic purposes only, and in accordance with the manufacturer's instructions.
- The appliance has not been serviced, maintained, repaired, taken apart or tampered with by any person not authorised by us.
- Electrolux Service Force Centre must undertake all service work under this guarantee
- Any appliance or defective part replaced shall become the Company's property.
- This guarantee is in addition to your statutory and other legal rights.

### Exclusions

- Damage or calls resulting from transportation, improper use or neglect, the replacement of any light bulbs or removable parts of glass or plastic.
- Costs incurred for calls to put right an appliance which is improperly installed or calls to appliances outside

the United Kingdom.

- Appliances found to be in use within a commercial environment, plus those which are subject to rental agreements.
- Products of Electrolux manufacturer that are not marketed by Electrolux

### Service and Spare Parts

In the event of your appliance requiring service, or if you wish to purchase spare parts, please contact your local Service Force Centre by telephoning

**0870 5 929 929**

Your telephone call will be automatically routed to the Service Force Centre covering your postcode area.

For the address of your local Service Force Centre and further information about Service Force, please visit the website at

**[www.serviceforce.co.uk](http://www.serviceforce.co.uk)**

Before calling out an engineer, please ensure you have read the details under the heading "Something not working" When you contact the Service Force Centre you will need to give the following details:

1. Your name, address and postcode.
2. Your telephone number.
3. Clear concise details of the fault.
4. The model and Serial number of the appliance (found on the rating plate).
5. The purchase date.

Please note a valid purchase receipt or guarantee documentation is required for in guarantee service calls.

# GUARANTEE CONDITIONS

## Customer Care

For general enquiries concerning your Electrolux appliance, or for further information on Electrolux products please contact our Customer Care Department by letter or telephone at the address below or visit our website at [www.electrolux.co.uk](http://www.electrolux.co.uk)

Customer Care Department

Electrolux Major Appliances

Addington Way

Luton

Bedfordshire, LU4 9QQ

Tel: 08705 950 950 (\*)

(\*) Calls may be recorded for training purposes

## European Guarantee

This appliance is guaranteed by Electrolux in each of the countries listed at the back of this user manual, for the period specified in the appliance guarantee or otherwise by law. If you move from one of these countries to another of the countries listed below the appliance guarantee will move with you subject to the following qualifications:-


- The appliance guarantee starts from the date you first purchased the appliance which will be evidenced by production of a valid purchase document issued by the seller of the appliance.
- The appliance guarantee is for the same period and to the same extent for labour and parts as exists in your new country of residence for this particular model or range of appliances.
- The appliance guarantee is personal to the original purchaser of the appliance and cannot be transferred to another user.
- The appliance is installed and used in accordance with instructions issued by Electrolux and is only used within the home, i.e. is not used for commercial purposes.
- The appliance is installed in accordance with all relevant regulations in force within your new country of residence.

The provisions of this European Guarantee do not affect any of the rights granted to you by law.

# www.electrolux.com

		
Albania	+35 5 4 261 450	Rr. Pjeter Bogdani Nr. 7 Tirane
Belgique/België/Belgien	+32 2 363 04 44	Bergensesteenweg 719, 1502 Lembeek
Česká republika	+420 2 61 12 61 12	Budějovická 3, Praha 4, 140 21
Danmark	+45 70 11 74 00	Sjællandsgade 2, 7000 Fredericia
Deutschland	+49 180 32 26 622	Muggenhofer Str. 135, 90429 Nürnberg
Eesti	+37 2 66 50 030	Mustamäe tee 24, 10621 Tallinn
España	+34 902 11 63 88	Carretera M-300, Km. 29,900 Alcalá de Henares Madrid
France	www.electrolux.fr	
Great Britain	+44 8705 929 929	Addington Way, Luton, Bedfordshire LU4 9QQ
Hellas	+30 23 10 56 19 70	4, Limnou Str., 54627 Thessaloniki
Hrvatska	+385 1 63 23 338	Slavonska avenija 3, 10000 Zagreb
Ireland	+353 1 40 90 753	Long Mile Road Dublin 12
Italia	+39 (0) 434 558500	C.so Lino Zanussi, 26 - 33080 Porcia (PN)
Latvija	+37 17 84 59 34	Kr. Barona iela 130/2, LV-1012, Riga
Lietuva	+370 5 2780609	Verkių 29, LT-09108 Vilnius
Luxembourg	+35 2 42 43 13 01	Rue de Bitbourg, 7, L-1273 Hamm
Magyarország	+36 1 252 1773	H-1142 Budapest XIV, Erzsébet királyné útja 87
Nederland	+31 17 24 68 300	Vennootsweg 1, 2404 CG - Alphen aan den Rijn
Norge	+47 81 5 30 222	Risløkkvn. 2 , 0508 Oslo
Österreich	+43 18 66 400	Herziggasse 9, 1230 Wien
Polska	+48 22 43 47 300	ul. Kolejowa 5/7, Warsaw
Portugal	+35 12 14 40 39 39	Quinta da Fonte - Edifício Gonçalves Zarco - Q 35 -2774-518 Paço de Arcos
Romania	+40 21 451 20 30	Str. Garii Progresului 2, S4, 040671 RO
Schweiz - Suisse - Svizzera	+41 62 88 99 111	Industriestrasse 10, CH-5506 Mägenwil
Slovenija	+38 61 24 25 731	Tržaška 132, 1000 Ljubljana
Slovensko	+421 2 43 33 43 22	Electrolux Slovakia s.r.o., Electrolux Domáce spotrebiče SK, Seberíniho 1, 821 03 Bratislava
Suomi	+35 8 26 22 33 00	Konepajanranta 4, 28100 Pori
Sverige	+46 (0)771 76 76 76	Electrolux Service, S:t Göransgatan 143, S-105 45 Stockholm
Türkiye	+90 21 22 93 10 25	Tarlabası caddesi no : 35 Taksim İstanbul
Россия	+7 095 937 7837	129090 Москва, Олимпийский проспект, 16, БЦ "Олимпик"

# INSTALLATION INSTRUCTIONS

 It is dangerous to alter the specifications or attempt to modify this product in any way.

## Technical Information

### DIMENSIONS

HEIGHT OF CANOPY:	70mm
HEIGHT OF CHIMNEY: (UPPER SECTION)	465mm
(LOWER SECTION)	740mm
WIDTH OF CANOPY :	898mm
DEPTH OF CANOPY:	490mm
GROSS :	23kg
NET :	17kg


<b>ELECTRICAL SUPPLY:</b> VOLTAGE:	220-240 V 50Hz
POWER CONSUMPTION:	245W
FAN MOTOR:	205W
LIGHT BULB: (2 x 20 W)	40W

### SUITABLE FOR INSTALLATION

<b>ABOVE:</b> ELECTRIC HOB:	7KW (max)
GAS HOB:	10KW (max)
SLOT-IN GAS COOKER	13.5KW (max)
SLOT-IN ELECTRIC COOKER	12.4KW (max)



**Note: CE Marking certifies that this appliance complies with the requirements laid down in EEC directive 89:336. (Electromagnetic compatibility) and subsequent modifications and Low Voltage directive 72/23/E.**

The symbol  on the product or on its packaging indicates that this product may not be treated as household waste. Instead it shall be handed over to the applicable collection point for the recycling of electrical and electronic equipment. By ensuring this product is disposed of correctly, you will help prevent potential negative consequences for the environment and human health, which could otherwise be caused by inappropriate waste handling of this product. For more detailed information about recycling of this product, please contact your local city office, your household waste disposal service or the shop where you purchased the product.

## ELECTRICAL CONNECTIONS

### **DOUBLE INSULATED DO NOT EARTH**

#### **Electrical Requirements**

EN

Any permanent electrical installation must comply with the latest I.E.E. Regulations and local Electricity Board regulations. For your own safety this should be undertaken by a qualified electrician e.g. your local Electricity Board, or a contractor who is on the roll of the National Inspection Council for Electrical Installation Contracting (NICEIC).

#### **Electrical Connection**

Before connecting to the mains supply ensure that the mains voltage corresponds to the voltage on the rating plate inside the cooker hood.

This appliance is fitted with a 2 core mains cable and must be permanently connected to the electricity supply via a double-pole switch having 3mm minimum contact gap on each pole. A Switched Fuse Connection Unit to BS1363 Part 4, fitted with a 3 Amp fuse, is a recommended mains supply connection accessory to ensure compliance with the Safety Requirements applicable to fixed wiring instructions.

This appliance conforms to BS 800: 1988 and EEC Directive No. 78 308 regarding suppression of radio and television interference.



# INSTALLING THE COOKER HOOD

**Please ensure that when the appliance is installed it is easily accessible to an engineer in the event of a breakdown.**

⚠ *All installations must comply with the local authorities requirements for the discharge of exhaust air.  
Incorrect installation may affect the safety of this cooker hood.*

## Installation Requirements

⚠ *Before installation check the wall to which the cooker hood is to be fitted for electric cables, water pipes or gas.*

This cooker hood is designed to be fixed to any vertical surface over a cooking area, and can be used in the extraction (ducted to the outside) or recirculation mode.

The installation work must be undertaken by a qualified and competent person.

The manufacturer disclaims any responsibility for damage due to incorrect installation of the cooker hood or if the hood is not installed in compliance with relevant regulations controlling this type of installation.

## Unpacking

Before unpacking the cooker hood position the carton with the arrows pointing upwards as illustrated on the carton.

## 18 electrolux **INSTALLING THE COOKER HOOD**

The cooker hood is made up of the following components:

### **Ref Qty Product Components**

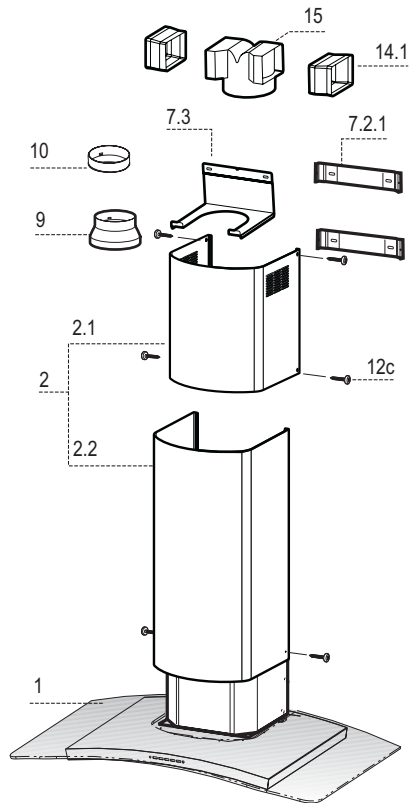
- 1** 1 Hood body, complete with controls, lighting, fan and filters.
- 2** 1 Telescopic Chimney comprising:
  - 2.1** 1 Upper section
  - 2.2** 1 Lower section
- 9** 1 ø150-120 Ducting spigot
- 10** 1 ø120-125 Ducting flange
- 14.1** 2 Air outlet Connection Extension
- 15** 1 Air outlet Connector

### **Ref Qty Installation Components**

- 7.2.1** 2 Upper chimney wall fixing brackets
- 7.3** 1 Air outlet Connection Support
- 12c** 6 Chimney fixing screws

### **Ref Qty Documentation**

- 1 Instruction booklet



### Clearance Height

The cooker hood is designed to be fitted over a cooking appliance at the clearance heights stated, providing the maximum output of the appliance beneath does not exceed the maximums quoted in the Technical Specifications.

If the output of the appliance below the cooker hood exceeds the maximum outputs quoted, please refer to the cooker manufacturer's installation instructions.

A clearance height of 650mm (25 1/2 ") is required when installed above a built-in electric hob, or 700mm (27 1/2 ") when installed above a built-in gas hob.

A clearance height of 685mm (27") is required when installed above a slot-in electric cooker, or 787mm (30 1/2 ") when installed above a slot-in gas cooker.

When installed between adjoining wall cabinets, the wall cabinets must not overhang the hob and the distance between the underside of the cabinet and the worktop must be 450mm. If the height of the wall cabinet is less than 450mm, a gap of 50mm must be maintained either side of the hob.

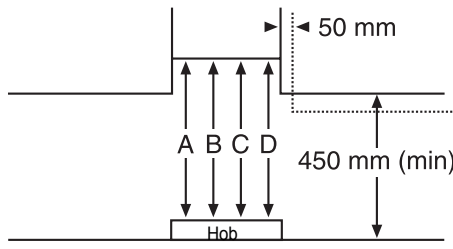
**⚠** *This cooker hood must not be installed above a cooking appliance with a high level grill.*

**The hood can be installed above these heights but for optimum performance it should be installed at the distances quoted for the appropriate heat source.**

**This appliance can be used in either extraction mode (ducting) or recycling mode (filtering).**

**The hood is supplied suitable for recirculation with the charcoal filters fitted.**

**When used in the extraction mode (ducting) the charcoal filters are not required and must be removed and destroyed.**



- |                             |                 |
|-----------------------------|-----------------|
| A: Built-in Electric Hob:   | 650mm clearance |
| B: Built-in Gas hob:        | 700mm clearance |
| C: Slot-in Electric Cooker: | 685mm clearance |
| D: Slot-in Gas Cooker:      | 787mm clearance |

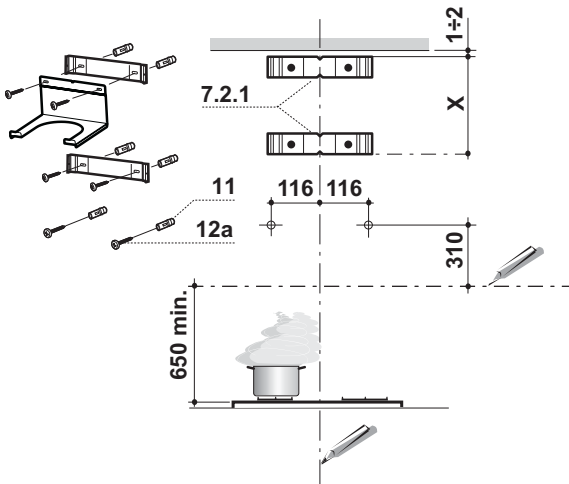
## Fitting the Wall Brackets

Wall marking:

- Draw a vertical line on the supporting wall up to the ceiling, or as high as practical, at the centre of the area in which the hood will be installed.
- Draw a horizontal line at 650 mm above the hob.
- Place bracket **7.2.1** on the wall as shown about 1-2 mm from the ceiling or upper limit aligning the centre (notch) with the vertical reference line.
- Mark the wall at the centres of the holes in the bracket.
- Place bracket **7.2.1** on the wall as shown at X mm below the first bracket (X = height of the upper chimney section supplied), aligning the centre (notch) with the vertical line.
- Mark the wall at the centres of the holes in the bracket.
- Mark a reference point as indicated at 116 mm from the vertical reference line and 310 mm above the horizontal reference line.

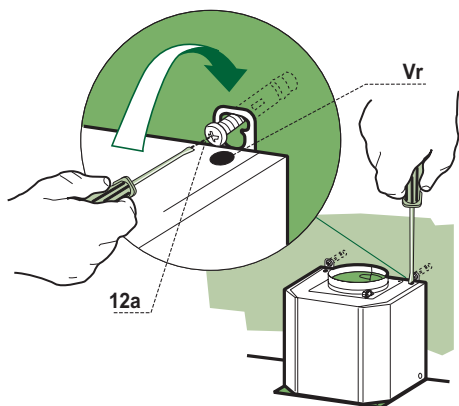
- Repeat this operation on the other side.
- Drill  $\varnothing$  8 mm holes at all the centre points marked.
- Insert the wall plugs (not supplied) in the holes.
- Fix the lower bracket **7.2.1** using the two screws (not supplied).
- Fix the upper bracket **7.2.1** and the air outlet connection support **7.3** together using the two screws (not supplied).
- Insert the two screws (not supplied) in the hood body fixing holes, leaving a gap of 5-6 mm between the wall and the head of the screw.

**Note:** If the hood is to be installed onto a hollow construction or plaster or partition board wall then special fixing screws will be required (not supplied).



## Fitting the Hood Body

- Before starting to fix the hood body, tighten the two screws Vr located on the top of the hood body.
- Hook the hood body onto the two 4.2x44.4mm screws item 12a.
- Fully tighten the screws item 12a.
- Using a screw driver and spirit level, adjust the screws item Vr until the hood body is level.



## Extraction

The cooker hood is more effective when used in the extraction mode (ducted to the outside).

**Venting kits may be purchased through your retailer or DIY store, and must be ducted to an outside vent of Ø125mm (5") or Ø150mm (6").**

*The ducting used must be manufactured from fire retardent material conforming to the relevant British Standard or DIN 4102-B1.*

When the cooker hood is ducted to the outside the charcoal filter must be removed.

## Recirculation

The cooker hood is supplied specified for use in the recirculation mode, with the charcoal filter fitted.

EN

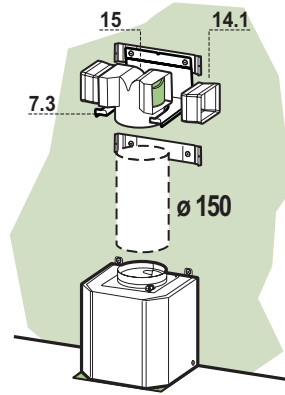
In the recirculation mode contaminated air is passed through the charcoal filter to be purified and recirculated into the kitchen through the grille outlets on either side of the chimney.

To assemble the recirculation duct, place the recirculation outlet connection item **15** into the support item **7.3**.

Insert the extension ducts item **14.1** into either side of the recirculation outlet item **15** ensuring the connections are vertically and horizontally aligned with the outlets in the chimney.

Connect the recirculation outlet item **15** to the outlet on top of the hood body using either a piece of Ø125mm or Ø150mm flexible or rigid pipe.

Rigid pipe is strongly recommended and should be used where possible as this will ensure the best performance while lowering noise.



## Extraction

The charcoal filter is not required in this mode and should be removed.

## Ducting

The ducting used must be  $\text{\O}150\text{mm}$  (6ins), or  $\text{\O}125\text{mm}$  (5ins) in diameter. If possible duct through the wall immediately above the hood body.

For the best performance use the shortest possible duct run and the minimum number of bends.

Where flexible ducting is fitted it should not be turned through very tight bends as this may impair the performance of the hood.

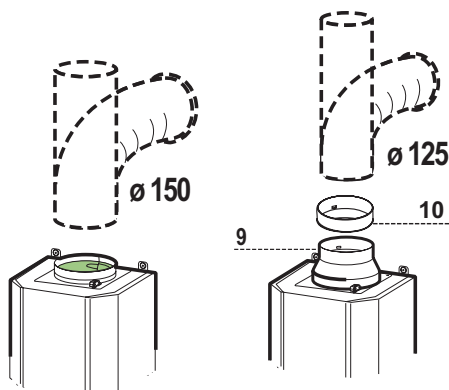
It is recommended a maximum length of 3 metres, to be installed, to be reduced 1 metre for each  $90^\circ$  bend installed in the ducting run.

If the distance is greater than 3 metres the efficiency of the hood could be impaired.

The diameter of the ducting spigot on the top of the hood body item 1 is  $\text{\O}150\text{mm}$  (6").

When using  $\text{\O}125\text{mm}$  (5") ducting it will be necessary to install the ducting adapter item **9** to the  $\text{\O}150\text{mm}$  (6") outlet on the top of the hood body and the  $\text{\O}120\text{mm}$  to  $125\text{mm}$  ducting collar item **10** (supplied).

**⚠** *If the room where the cooker hood is to be used contains a fuel burning appliance such as a central heating boiler, then its flue must be of the room sealed or balanced flue type. If other types of flue or appliances are fitted ensure that there is an adequate supply of air to the room. The cooker ducting (extraction mode) must never be connected to central heating flues, radiators or water heaters etc.*



### **Electrical Connection and Working Test**

Before fitting the chimney to the canopy make the electrical connection as described in the section titled "ELECTRICAL CONNECTION".

EN

When the electrical connection has been made, test the three speed fan and worktop illumination.

### **Fitting the Chimney Stack**

The chimney consists of two sections. The lower chimney measures 740mm and the upper chimney (with the recirculation grilles on either side) measures 465mm. The overall installed measurement is min. 870 - max 1200mm.

#### **Upper Chimney**

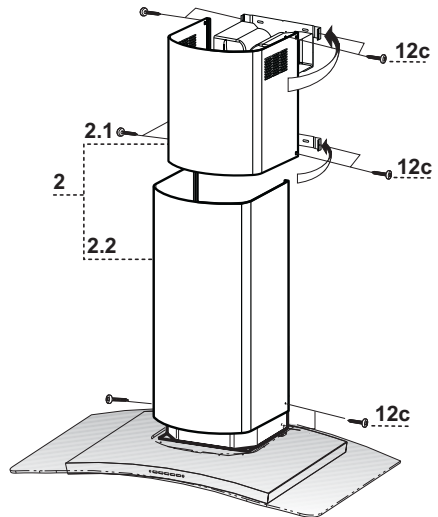
To fit the upper chimney section item **2.1** expand the chimney slightly to allow it to be fitted over the brackets item **7.2.1** as illustrated.

When installed in the recirculation mode ensure that the recirculation ducting outlet extension pieces item **14.1** align correctly with the outlet grilles in the chimney.

Secure the sides of the chimney to the brackets using the four screws item **12c** (2.9x9.5mm) provided, as illustrated.

#### **Lower Chimney**

To fit the lower chimney section item **2.2** expand the chimney slightly to allow it to be fitted over the upper chimney item **2.1** and the hood body item **1** as illustrated. Secure the sides of the chimney to the hood body using the two screws item **12c** (2.9x9.5mm) provided, as illustrated.











[www.electrolux.com](http://www.electrolux.com)

