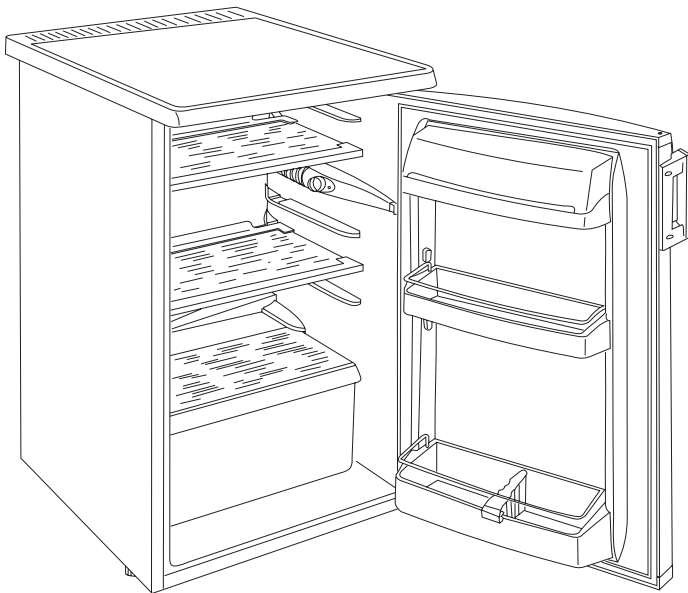


# JLUCLFW6003

## refrigerator

### Instruction manual



# John Lewis

# Important safety information

It is most important that this instruction book should be retained with the appliance for future reference. Should the appliance be sold or transferred to another owner, or should you move house and leave the appliance, always ensure that the book is supplied with the appliance in order that the new owner can get to know the functioning of the appliance and the relevant warnings.

These warnings have been provided in the interest of safety. You **MUST** read them carefully before installing or using the appliance.

If you are unsure of the meanings of these warnings contact the John Lewis branch from which you purchased the appliance.

## Installation

- This appliance is heavy. Care should be taken when moving it.
- Check your Refrigerator for any transport damage. Do not connect the appliance if there is damaged. If the Refrigerator is damaged, you should contact the John Lewis branch from which you purchased it.
- Any electrical work required to install this appliance should be carried out by a qualified electrician or competent person.
- Care must be taken to ensure that the appliance does not stand on the electrical supply cable. If the supply cable is damaged it must be replaced; contact our extended warranty administrators on 08700 107 887 who will give you details for your local Service Force centre.
- Parts which heat up should not be exposed. Whenever possible, the back of the appliance should be close to a wall, but leaving the required distance for ventilation, as stated in the installation instructions.
- This appliance should be left for 2 hours after installation before it is turned on, in order to allow the refrigerant to settle.

## Child Safety

- This appliance is designed to be operated by adults. Children should not be allowed to tamper with the controls or play with the product.
- Pets and children have been known to climb into the appliance. Please check the appliance before use.
- Keep all packaging well away from children.
- When the appliance is to be scrapped, cut off the electrical supply cable and destroy the plug with the remaining cable. Disable the door catch in order to prevent children from becoming trapped inside while playing

## Use

- This appliance is designed for domestic use only, specifically for the storage of edible foodstuffs only. It is not intended for commercial or industrial use.
- Containers with flammable gases or liquids can leak at low temperatures. Do not store any containers with flammable materials, such as spray cans, fire extinguisher refill cartridges etc. in the refrigerator or the vicinity of the refrigerator or any other appliance.
- Manufacturers recommended food storage times should be adhered to. Refer to the relevant instructions.

- Do not use electrical appliances inside the Refrigerator.
- Do not damage the refrigerant circuit.

## Safety precautions for isobutane

### Warning

- The refrigerant of the appliance is isobutane (R600a) that is flammable and explosive to a greater extent.
- Keep ventilation openings, in the appliance enclosure or in the built-in structure, clear of obstruction.
- Do not use mechanical devices or other means to accelerate the defrosting process, other than those recommended by the manufacturer.
- Do not damage the refrigerant circuit.
- Do not use electrical appliances inside the food storage compartments of the appliance, unless they are of the type recommended by the manufacturer.

**For the safety of life and property keep the precautions of these user's instructions as the manufacturer is not responsible for damages caused by omission.**

## Maintenance and Cleaning

- Before cleaning, always switch off the appliance and disconnect from the electrical supply
- Check and clean the drain for defrosted water regularly; if the drain is blocked water will gather in the bottom of the refrigerator. when unplugging always pull the plug from the mains socket, do not pull on the cable.
- Further information on cleaning is on page 14 of this manual.

## Service

- This product should only be serviced by an authorised engineer and only genuine spare parts should be used.
- Under no circumstances should you attempt to repair the appliance yourself. repairs carried out by inexperienced persons may cause injury or serious malfunction.
- Service Force are the authorised repair agents for John Lewis branded domestic appliances.



## Ecological hints


To save energy and help protect the environment, we recommend that you follow these hints.

- Do not install the appliance close to sources of heat such as a boiler or radiator.  
locate the appliance in a well ventilated room and make sure that any air openings of the appliance are not obstructed.
- Try to avoid keeping the door open for long periods or opening the door too frequently as warm air will enter the cabinet and cause the compressor to switch on unnecessarily often.
- Ensure there are no obstructions preventing the door from closing properly.



## Environmental information

After unpacking please dispose of the packaging with due regard to safety and the environment.

Materials marked with the symbol  are recyclable.

Avoid damaging the cooling unit, especially at the rear near the heat exchanger. Check with your local Council or Environmental Health Office to see if there are facilities in your area for recycling this appliance.


When the appliance is to be scrapped, cut off the power supply cable and remove the door, to prevent young children from being trapped inside.

This appliance does not contain gases which could damage the ozone layer, in either its refrigerant circuit or insulation materials.



## Warning

A cut off plug inserted into a 13 amp socket is a serious safety (shock) hazard. please ensure the cut off plug is disposed of safely.

The symbol  on the product or on its packaging indicates that this product may not be treated as household waste.

Instead it shall be handed over to the applicable collection point for the recycling of electrical and electronic equipment. By ensuring this product is disposed of correctly, you will help prevent potential negative consequences for the environment and human health, which could otherwise be caused by inappropriate waste handling of this product. For more detailed information about recycling of this product, please contact your local city office, your household waste disposal service or the shop where you purchased the product.

# Contents

## For the User

<b>Important safety information</b>	<b>2</b>
Intallation	2
<b>Description of the appliance</b>	<b>5</b>
<b>Using the refrigerator</b>	<b>11</b>
Hints for storage	11
Storage time and temperature of foods	11
Storage Shelves	11
<b>Hints &amp; Tips</b>	<b>12</b>
Normal Operating Sounds	12
Food Storage	12
Energy Saving Advice	12
In the Event of a Power Failure	12
<b>Storage time chart (refrigerator)</b>	<b>13</b>
<b>Maintenance and Cleaning</b>	<b>14</b>
Defrosting	14
Internal cleaning	14
External cleaning	14
Changing the Light Bulb	14
When the appliance is not in use	14
<b>Something Not Working</b>	<b>15</b>
<b>Repairs - After Sales Service</b>	<b>16</b>

## For the Installer

<b>Installation</b>	<b>6</b>
<b>Technical Specifications</b>	<b>6</b>
Unpacking	7
Transportation, unpacking	7
Cleaning	7
Location	7
Ventilation Requirements	7
Levelling	7
<b>Door Reserval</b>	<b>8</b>
<b>Electrical connection</b>	<b>9</b>
<b>When the refrigerator is first installed</b>	<b>10</b>
General information	10
Using the Appliance	10
Before Use	10
Thermostat control	10


## Guide to using the Instruction Manual

The following symbols will be found in the text to guide you throughout the instructions:

 **Safety precautions**

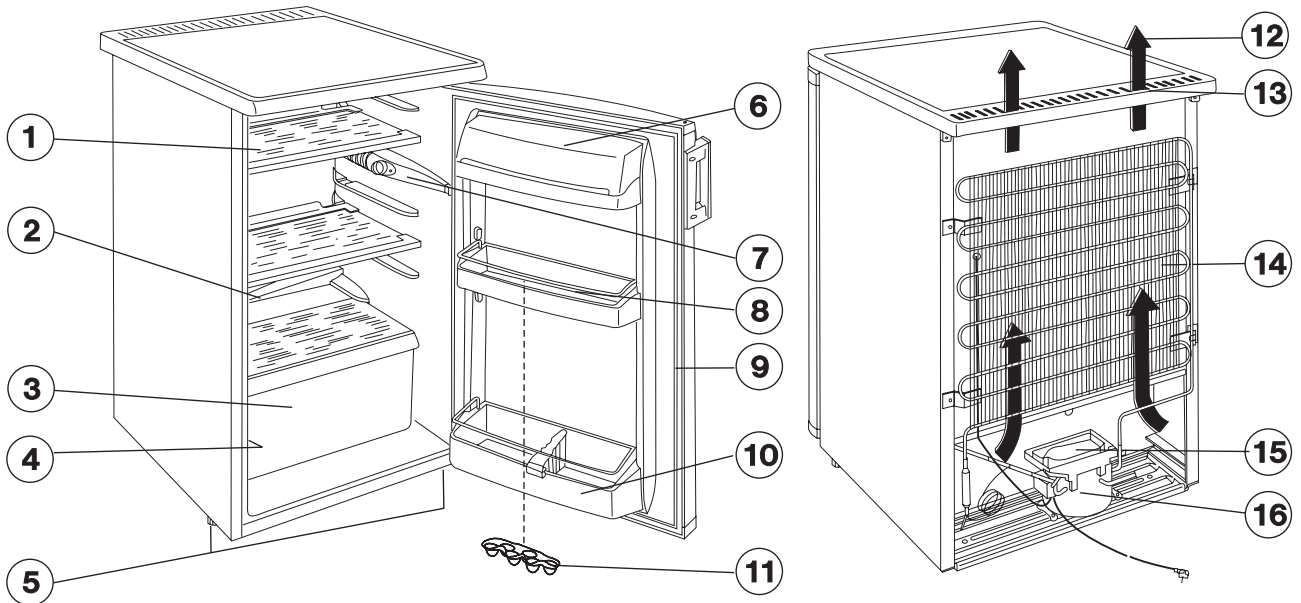
 **Hints, useful information**

 **Environmental information**

 This appliance complies with the following E.E.C. Directives:




- 73/23 EEC of 19.02.73 (Low Voltage Directive) and subsequent modifications,
- 89/336 EEC of 03.05.89 (Electromagnetic Compatibility Directive) and subsequent modifications.

# Description of the appliance



- |                                      |                     |
|--------------------------------------|---------------------|
| 1. Glass shelf                       | 9. Door gasket      |
| 2. Defrost water drain               | 10. Bottle shelf    |
| 3. Salad drawer                      | 11. Egg tray        |
| 4. Rating plate                      | 12. Air circulation |
| 5. Adjustable feet                   | 13. Air grid        |
| 6. Butter compartment                | 14. Condenser       |
| 7. Interior light/Thermostat control | 15. Evaporator tray |
| 8. Door shelf                        | 16. Compressor      |

# Installation

-  It is dangerous to alter the specifications or attempt to modify this product in any way.
-  Care must be taken to ensure that the appliance does not stand on the electrical supply cable.
-  Any electrical work required to install this appliance should be carried out by a qualified electrician or competent person.

# Technical Specifications

DIMENSIONS	Width Height Depth	595 mm 850 mm 635 mm
POWER SUPPLY VOLTAGE RATED CURRENT		230V/50Hz 0,55 A
GROSS CAPACITY	Refrigerator	155 l
NET CAPACITY	Refrigerator	152 l
ENERGY CONSUMPTION		0,3261 kWh/24h 119 kWh/year
ENERGY CLASS, ACCORDING TO EU STANDARDS		A+
NOISE LC		38 dB
WEIGHT		38 kg

# Unpacking

**i** It is recommended to deliver the appliance in original packaging, in vertical position considering the protective warning on packaging.

After positioning, the appliance must not be switched on for approx. 2 hours to allow the refrigerant to settle.

Unpack the appliance and check if there are damages on it. Report any damage immediately to the place where you bought it. In this case retain packaging.

# Cleaning

Remove all adhesive tape and packaging, which ensure the accessories do not move in the appliance.

Wash the inside of the appliance using lukewarm water and bicarbonate of soda (5ml to 0.5 litre of water).

After cleaning dry the inside of the appliance thoroughly.

# Location

The appliance should be placed in a well ventilated, dry room.

The appliance energy use is affected by the ambient temperature.

The appliance should therefore:

- not be installed next to radiators, cookers or other sources of heat
- only be installed at a location where the ambient temperature corresponds to the climate classification, for which the appliance is designed.

# Climate Classification

The climate classification can be found on the rating plate located inside the appliance.

The following table shows the ambient temperature for each climate classification:

Climate Classification	Ambient Temperature
SN	+10 to +32 °C
N	+16 to +32 °C
ST	+18 to +38 °C

# Ventilation Requirements

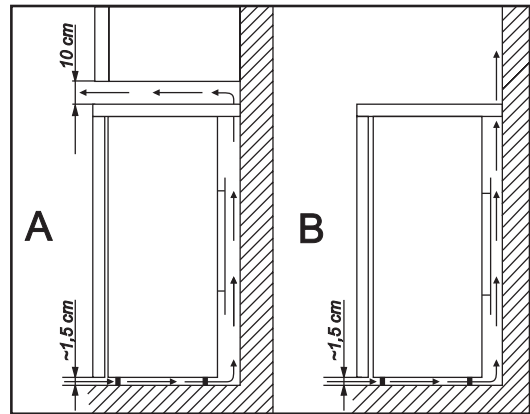
The appliance must have adequate ventilation to ensure correct operation.

Diagram shows the ventilation requirements when installed:

**A:\*** Under a worktop, or cupboard.

\*The clearance space of 10 cm above the appliance may be reduced to 5 cm providing a clearance space 2,5 cm is left on either side of the appliance.

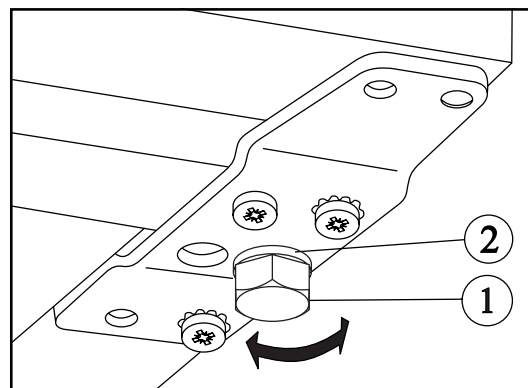
**B:** When freestanding



# Levelling

The appliance must be level. Level the appliance by adjusting the two adjustable feet (1) at the front of the appliance.

If required the washer (2) can be removed.

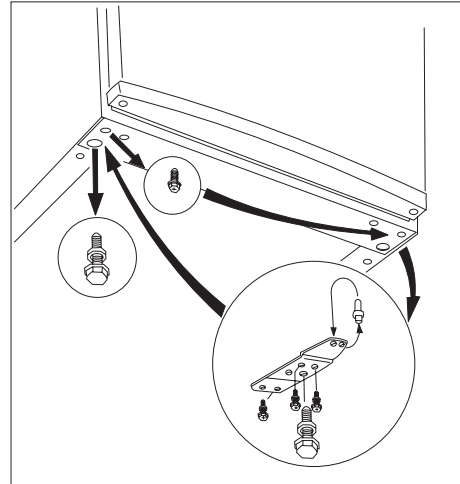


## Door Reversal

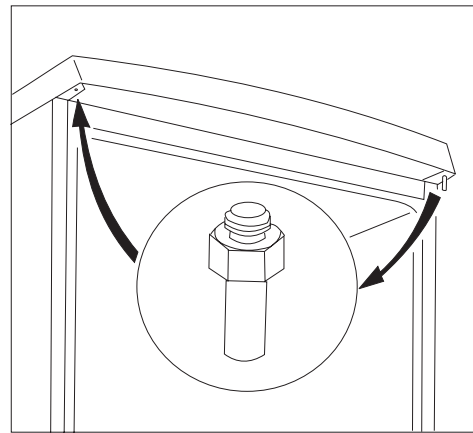
If required the opening direction of the door can be changed as follows:

To reverse the bottom hinge assembly proceed as follows:

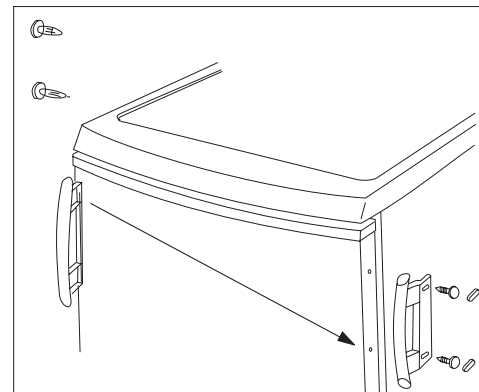
- Disconnect the appliance from the electricity supply.
- Tilt the appliance backwards, resting the top edge of the appliance on a stool or something similar.
- Unscrew the adjustable feet situated on both sides (2 pieces), in addition the screws fixing the lower door holders (3 pieces) respectively the screw on the other side.



- Take off the freezer door by pulling it slightly downwards.
- Unscrew the top door hinge pin of the refrigerator then screw it back on the other side.
- Fit the freezer door on the upper door hinge pin.
- Put over the pin in the lower door holding plate in the direction of the arrow.
- Fix the plate on the other side leaving the position of the door unchanged.
- Then screw in the one screw in the place set free on the other side as well as the adjustable feet (2 pieces) and set up the box.



- Put over the handles on the other side and put the plastic covering nails supplied in the plastic bag of this instruction book into the holes set free.
- Put the appliance to its place, set it level and plug it into the mains socket.





# Electrical connection

Any electrical work required to install this appliance should be carried out by a qualified electrician or competent person.

**⚠ WARNING: THIS APPLIANCE MUST BE EARTHED.**

Should the appliance power supply cable need to be replaced, this must be carried out by a Service Force agent (see page 16).

The manufacturer declines any liability should this safety measure not be observed.

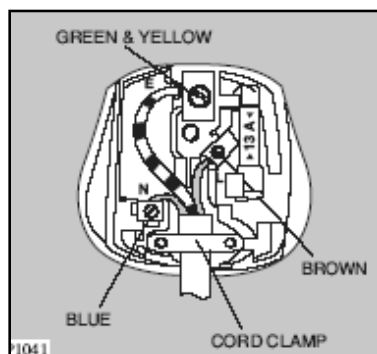
Before switching on, make sure the electricity supply voltage is the same as that indicated on the appliance's rating plate. (See picture on page 5).

The appliance is supplied with a 13amp plug supplied. In the event of having to change the fuse in the plug supplied, a 13amp ASTA approved BS 1363/A fuse must be used.

Should the plug need to be replaced for any reason, proceed as described below. The wires in the mains lead are coloured in accordance with the following code:

Green and Yellow	- Earth
Blue	- Neutral
Brown	- Live

If you fit your own plug, the colours of the wires in the mains lead of your appliance may not correspond with the markings identifying the terminals in your plug.



## Proceed as follows:

1. Connect the Green and Yellow (earth) wire to the terminal in the plug which is marked with the letter "E" or the earth symbol  $\oplus$  or coloured green and yellow.
2. Connect the Blue (neutral) wire to the terminal in the plug which is marked with the letter "N" or coloured black.
3. Connect the Brown (live) wire to the terminal in the plug which is marked with the letter "L" or coloured red.
4. Upon completion there must be no cut, or stray strands of wire present and the cord clamp must be secured over the outer sheath.

**⚠ WARNING: A cut off plug inserted into a 13 amp socket is a serious safety (shock) hazard. Ensure that the cut off plug is disposed of safely.**

**⚠ The plug must still be accessible after the appliance has been installed.**

**⚠ The appliance should not be connected to the electrical supply by means of an extension cable.**

## Permanent connection

In the case of permanent connection it is necessary that you install a double pole switch between the appliance and the electricity supply (mains), with a minimum gap of 3mm between the switch contacts and of a type suitable for the required load in compliance with the current electrical regulations.

The switch must not break the yellow and green earth cable at any point.

# When the refrigerator is first installed

## General information

This appliance is designed for domestic use only.

To ensure correct operation, the appliance should be located where the ambient temperature of between 10-32°C.

## Using the Appliance

### Before Use

Remove all packaging and adhesive tape.

Wash the inside of the appliance with lukewarm water and bicarbonate of soda (5 ml to 0,5 litre of water). Do not use soap or detergent as the smell may linger. Dry the appliance thoroughly.

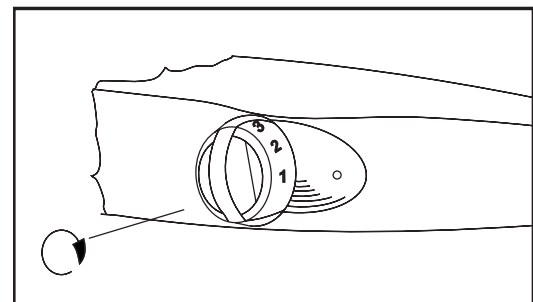


*perfumed cleaning products, wax polishes or products containing alcohol.*



### To Start the Appliance

1. Allow the appliance to stand for 2 hrs after installation.
2. Plug in the appliance and switch on at the mains supply.
3. Turn the thermostat control to the required setting. A setting of 3 is usually suitable for normal operation (see thermostat control).
4. Leave the appliance for approximately 4 hours for the correct temperature to be reached before placing food inside.



### Thermostat Control

The thermostat control knob situated inside the refrigerator regulates the temperature of the larder compartment. Thermostat control is marked from 1-5 the higher the number, the colder the setting.

Position 0 - Off

Position 1 - minimum coldness

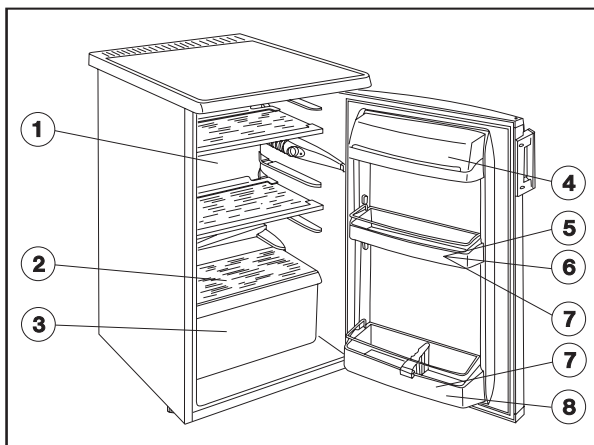
Position 5 - maximum coldness

# Using the refrigerator

## Hints for storage

Below is the recommended storage positions for various food types:

1. Ready-cooked foods, convenience foods, fresh meat, cold cuts
2. Dairy products, foods in dishes
3. Fruits, vegetables, salads
4. Cheese, butter
5. Eggs
6. Yoghurt, sour cream
7. Small bottles, soft drinks
8. Large bottles, drinks, milk



## Storage time and temperature of foods

The enclosed charts at the end of the instruction book give information about storage time in the fresh food compartment.

The storage times quoted are intended as a guide only.

## Storage Shelves

The shelves in the refrigerator compartment are adjustable to allow storage of large items.

The shelves can be removed and adjusted opening the door to 90°.

The door shelves are also adjustable.



To allow the air to circulate within the fridge compartment do not cover the air circulation gaps behind the shelves (e.g. with tray etc.)

# Hints & Tips

In this chapter practical hints and ideas are given about how to use the appliance to reach maximum efficiency. Environmental information is also supplied.

## Normal Operating Sounds

- You may hear faint gurgling or bubbling sounds when the refrigerant is pumped through the coils or tubing.
- When the compressor is on, the refrigerant is being pumped round and you will hear a whirring sound or pulsating noise from the compressor.
- A thermostat controls the compressor and you will hear a faint 'click' when the thermostat cuts in and out.

## Food Storage

To obtain the best performance from your appliance:

- To obtain the best results from your appliance neither hot foods nor liquids which may evaporate, should be placed in the larder compartment. Allow to cool first before placing in the appliance.
- Keep the time between buying chilled food and placing it in your fridge as short as possible.
- Do not push food together too closely, try to allow air to circulate around each item.
- Do not store food uncovered.
- Remove suspect food from your refrigerator and clean, refer to cleaning and maintenance.

## Energy Saving Advice

- Do not install the cabinet close to sources of heat, such as a cooker, dishwasher or radiator.
- Locate the appliance in a cool well ventilated room and make sure that the air openings of the cabinet are not obstructed.
- Always leave warm food to cool down to room temperature before placing in the fridge.
- Try to avoid keeping the door open for long periods, or opening the door too frequently as warm air will enter the cabinet, and cause the compressor to switch on unnecessarily often.
- Ensure there are no obstructions preventing the door from closing properly.
- It is advisable to periodically clean the refrigeration system at the back of the appliance with a duster or vacuum cleaner.

# Storage time chart (refrigerator)

## Time and method of storage of fresh foods in the refrigerator


Foods	Storage time in days							Method of packaging
	1	2	3	4	5	6	7	
Raw meat	X	X	x	x	x			cling film, airtight
Cooked meat	X	X	X	x	x	x		dish covered
Roasted meat	X	X	X	x	x			dish covered
Raw minced meat	X							dish covered
Roasted minced meat	X	X	x	x				dish covered
Cold cuts, Vienna sausage	X	X	x	x				cling film, cellophane, grease-proof paper
Fresh fish	X	x	x					cling film, airtight
Cooked fish	X	X	x	x				dish covered
Fried fish	X	X	x	x	x			dish covered
Tinned fish, open	X	x	x					dish covered
Fresh chicken	X	X	X	x	x	x		cling film, airtight
Fried chicken	X	X	X	x	x	x		dish covered
Fresh duck, goose	X	X	X	x	x	x		cling film, airtight
Roasted duck, goose	X	X	X	X	x	x	x	dish covered
Butter unopened	X	X	X	X	X	X	X	original packaging
Butter opened	X	X	X	X	X	X	X	original packaging
Milk	X	X	X	x	x			original packaging
Cream	X	X	x	x				plastic box
Sour cream	X	X	X	X	x	x	x	plastic box
Cheese (hard)	X	X	X	X	X	X	X	aluminium foil
Cheese (soft)	X	X	X	X	x	x	x	cling film
Curds	X	X	X	X	x	x	x	cling film
Egg	X	X	X	X	X	X	X	
Spinach, sorrel	X	X	x	x				cling film
Green peas, green beans	X	X	X	X	x	x	x	cling film
Mushroom	X	X	x	x	x			cling film
Carrot, roots	X	X	X	X	X	X	X	cling film
Bell-pepper	X	X	x	x	x			cling film
Tomato	X	X	X	X	X	X	X	cling film
Cabbage	X	X	X	X	X	x	x	cling film
Soft fruits (strawberry, raspberry, etc.)	X	X	X	x	x			cling film
Other fruits	X	X	X	X	x	x	x	cling film
Tinned fruits opened	X	X	X	x	x			dish covered
Cakes filled with cream	X	X	x	x				dish covered

### Notation:

**X** recommended storage time


x ,aximum recommended storage time

# Maintenance and Cleaning

 Before any maintenance or cleaning work is carried out **DISCONNECT** the appliance from the **ELECTRICITY SUPPLY**.

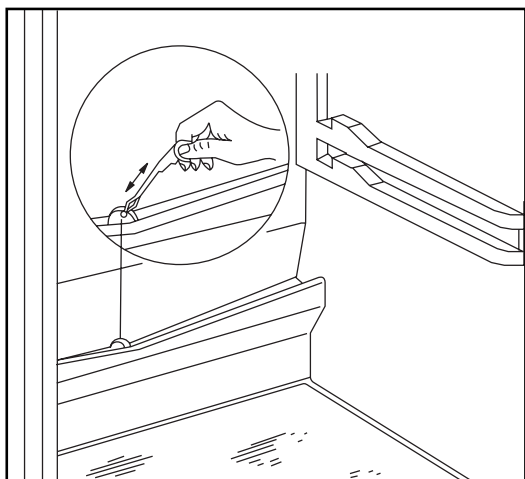
## Internal Cleaning

Clean the inside and accessories with warm water and bicarbonate of soda (5 ml to 0.5 litre of water). Rinse and dry thoroughly.

 Do not use detergents, abrasive powders, highly perfumed cleaning products, wax polishes or cleaning products containing bleach or alcohol.


Clean the drain hole of the water trough at regular intervals and ensure that the drain hole is clear at all times. If blocked carefully clear using a piece of flexible curtain wire inserted into the drain outlet to remove the blockage.

Regularly check the door seals and wipe clean to ensure they are clean and free from debris.



## External Cleaning

Wash the outer cabinet with warm soapy water.

 Do NOT use abrasive products. There are sharp edges on the underside of the product so care should be taken when cleaning.

Once or twice a year dust the condenser (black grille) and the compressor at the back of the appliance with a brush or vacuum cleaner, as an accumulation of dust will affect the performance of the appliance and cause excessive electricity consumption.

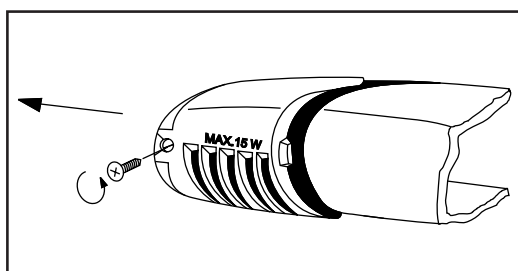
## Changing the Light Bulb

Should the light fail to work you can change it as below:

Disconnect the appliance from the electricity supply.

Remove the lamp cover retaining screws, then take the lamp cover off in the direction of the arrow and the bulb can be changed. (Type of the bulb: 230 V, 15 W, E 14 thread)

After changing the bulb replace the lamp cover, and retaining screws and reconnect the appliance to the electricity supply.



## Defrosting Your Appliance

The fridge compartment is defrosted automatically, when the motor stops. Defrost water from the cooling plate runs out of the drain and onto a tray on the motor compressor where it evaporates. Droplets of water on the cooling plate during defrosting are quite normal and will freeze on the plate afterwards.

## When the appliance is not in use

When the appliance is not in use for long periods disconnect from the electricity supply, empty all of the food and clean the appliance, leaving the door ajar to prevent unpleasant smells.

# Something Not Working

If the appliance is not working correctly, please carry out the following checks before contacting your local Service Force agent.

**IMPORTANT:** If you call out an engineer to a fault listed below, or to repair a fault caused by incorrect use or installation, a charge will be made even if the appliance is under guarantee.

Symptom	Solution
<b>No power to the appliance</b>	<ul style="list-style-type: none"><li>• Check there is power at the socket.</li><li>• Check there is not a power cut by checking the household lights.</li><li>• Check the fuse has not blown.</li><li>• Check the thermostat control knob setting is not off.</li></ul>
<b>The temperature in the appliance is too high</b>	<ul style="list-style-type: none"><li>• Check the ambient temperature is within the appliances operating limits of 10 °C to 32 °C.</li><li>• Check that the thermostat control knob is turned to the correct setting relative to ambient conditions.</li></ul>
<b>The temperature in the appliance is too low</b>	<ul style="list-style-type: none"><li>• Set the thermostat control knob to a warmer position.</li></ul>
<b>Excessive frost and ice has built up</b>	<ul style="list-style-type: none"><li>• Check the door has not been left open.</li><li>• Check nothing is preventing the door from closing.</li><li>• Check the door gasket is intact and clean.</li></ul>
<b>The appliance is noisy.</b>	<ul style="list-style-type: none"><li>• Check if the appliance stands stable (all four feet should be on the floor).</li></ul>
<b>Water under the salad drawer.</b>	<ul style="list-style-type: none"><li>• Check the drain hole is not blocked (see 'Maintenance and Cleaning').</li></ul>

## Repairs - After Sales Service

In the unlikely event of your appliance requiring service, or if you wish to purchase spare parts, please contact our extended warranty administrators by telephoning:

**0870 010 7887**

They will give you details for your local Service Force Centre.

Before calling out an engineer, please ensure you have read the details under the heading "Something Not Working".

When you contact your local Service Force Centre you will need to give the following details:

1. Your name, address and post code
2. Your telephone number
3. Clear and concise details of fault
4. The purchase date found on your receipt.
5. The model and serial number of the appliance (found on the rating plate - see picture on page 5)

So that you always have these numbers at hand, we recommend you to make a note of them here:

Mod. :.....

PNC :.....

S.N. :.....

**Your Fridge - Freezer is covered by a 3 year parts and labour guarantee (see separate details given at point of sale). Please retain your purchase receipt safely for the service engineer to verify the purchase details.**

## Spare parts

Always insist on genuine spare parts. An authorised service engineer should service this product, and only genuine spare parts should be used. Under no circumstances should you attempt to repair the machine yourself. Repairs carried out by inexperienced persons may cause injury or serious malfunctioning. Contact your local Service Force Centre. An authorised service engineer always insist on genuine spare parts.









John Lewis Partnership  
171 Victoria Street  
London SW1E 5NN

[www.johnlewis.com](http://www.johnlewis.com)